

# SPEAKMAN® CPV-3000

## Sentinel Mark II® Pressure Balance Valve

### FEATURES:

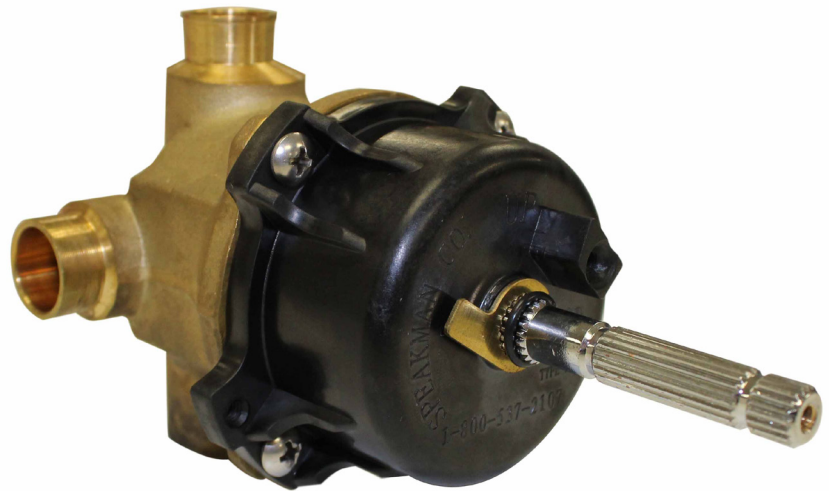
- Pressure balancing & ceramic temperature regulating cartridge with check valves
- Brass body construction
- Adjustable temperature limit stops
- Works with Speakman Pressure Balance Valve Trim model CPT-3000
- Includes rough-in template

### COMPLIANCE:

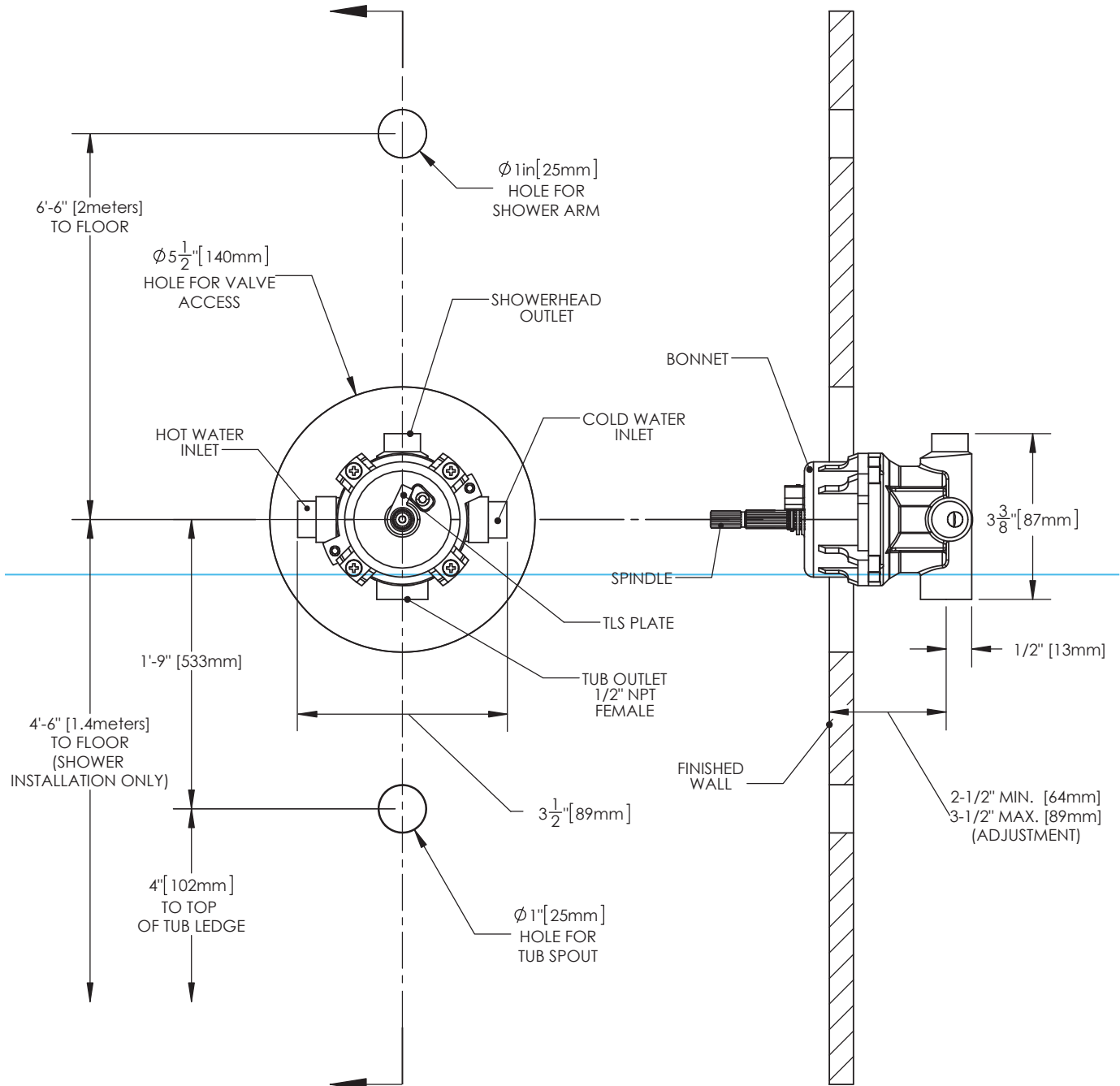
- Certified to ASME A112.18.1/CSA B125.1
- Certified to ASSE 1016 Type-P

### WARRANTY:

- 1 Year Limited



**DIMENSIONS:** NOTE: 1. All dimensions are in inches (millimeters) unless otherwise specified and are subject to change without notice. 2. Unless otherwise specified, all inlet and outlets are 1/2" female copper sweat. For ADA mounting locations consult ADAAG, ANSI A117.1, or state regulations.



Architect/Engineer Approval Space:

SPEAKMAN  
400 ANCHOR MILL ROAD  
NEW CASTLE, DE 19720

P: 800-537-2107  
F: 800-977-2747  
W: WWW.SPEAKMAN.COM  
R: JANUARY 2017