



## 36-INCH 5 BURNER GAS COOKTOP

HCT365GS | HERITAGE COLLECTION



### AVAILABLE MODELS

HCT365GS/NG/H	36" Heritage Gas Cooktop 5 Burner SS Natural Gas High Alt.
HCT365GS/NG	36" Heritage Gas Cooktop 5 Burner SS Natural Gas
HCT365GS/LP/H	36" Heritage Gas Cooktop 5 Burner SS Liquid Propane High Alt.
HCT365GS/LP	36" Heritage Gas Cooktop 5 Burner SS Liquid Propane

### FEATURES & BENEFITS

- Illumina™ Indicator Lights for both style and peace of mind in the kitchen.
- SimmerSear™ Burner provides up to 18,000 BTU's and achieves ultralow temperatures for simmering and melting without any scorching.
- PermaClean™ Finish is an exclusive scratch-resistant, bead-blasted surface that retains a permanently beautiful finish.
- One-Piece Spill Basin ensures easy clean-up.
- Continuous Platform Grates for the optimum cooking surface for larger pots:  
3 - 11 1/4" Wide Continuous Platform Grates
- Downdraft compatible for use in island configurations.  
With MRV3615S
- Smart Flame™ Technology for heat management to preserve the finish and life of the grates.
- Die Cast Knobs for durability and style.
- 4" Chassis Height for over-the-oven configurations.
- 5 Sealed (brass) with porcelain caps  
Center, 18,000 (BTU) Brass Dual Burner (SimmerSear)  
Left Front, 9,000 (BTU) Brass Standard  
Left Rear, 12,000 (BTU) Brass Standard  
Right Front, 9,000 (BTU) Brass Standard  
Right Rear, 12,000 (BTU) Brass Standard

### CONTROL FEATURES - LED BLUE

NUMBER OF KNOBS	5 KNOBS
PERMA-FLAME™ (AUTO RE-IGNITION)	YES
ERGONOMIC, ANGLED CONTROLS	YES

### TECHNICAL DETAILS

CIRCUIT BREAKER (A)	15
VOLTS (V)	120
FREQUENCY (HZ)	60
ENERGY SOURCE	GAS

### DIMENSIONS & WEIGHT

APPLIANCE DIMENSIONS (H X W X D) (IN.)	4" X 36" X 21"
REQUIRED CUTOUT SIZE (W X D) (IN.)	33 5/8" X 19 5/8"

### ACCESSORIES (OPTIONAL)

WOK RING	AWR4
REMOVABLE NON-STICK GRIDDLE-GRILL	AGDCT12

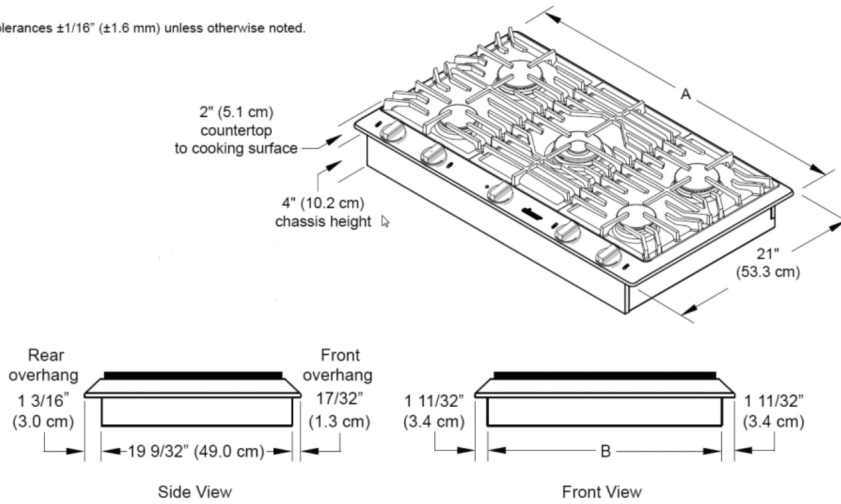
\*\*Warranty: Limited, parts and labor for one year

### APPLIANCE DIMENSIONS

36

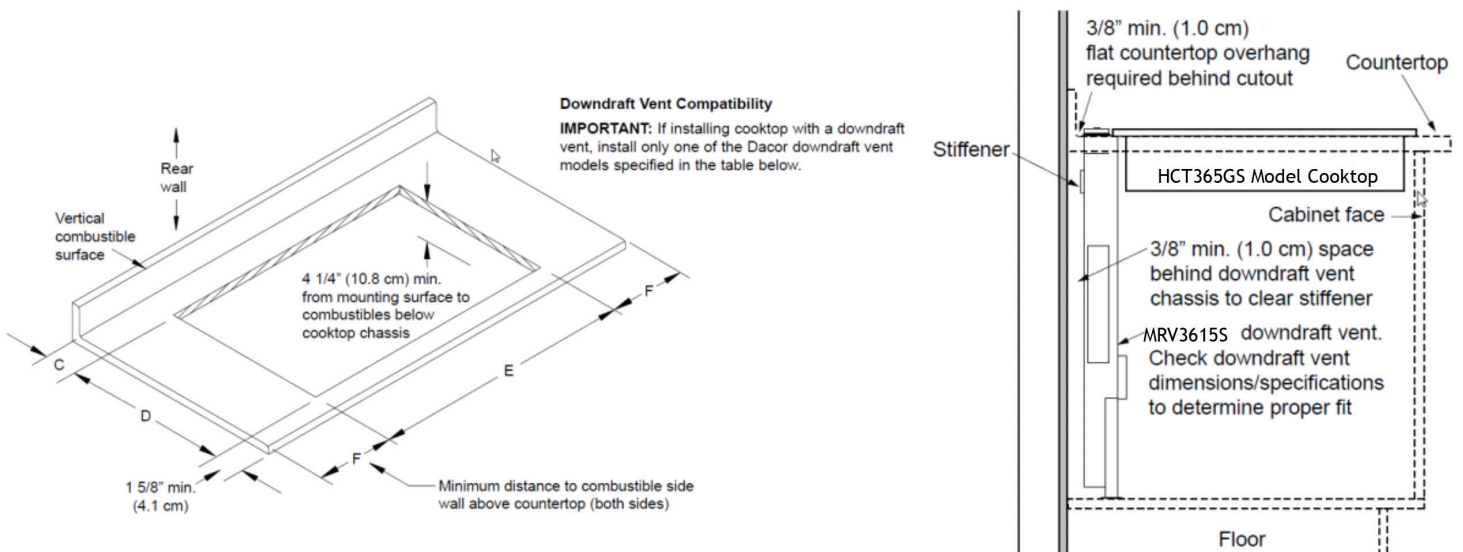
A (TOP FRAME WIDTH)	36" (91.4 CM)
B (CHASSIS WIDTH)	33 5/16" (84.6 CM)
C (CHASSIS HEIGHT)	4" (10.2 CM)

Product tolerances  $\pm 1/16"$  ( $\pm 1.6$  mm) unless otherwise noted.



### CABINET CUT-OUT DIMENSIONS

COOKTOP MODEL	C	D	E	F
HCT365GS WITH NO DOWNDRAFT VENT	3 1/4" (8.3 CM)	19 5/8" (49.9 CM)	33 5/8" (84.4 CM)	6 7/8" (17.5 CM)
HCT365GS WITH MRV3615S	3/8" (1.0 CM)	22 3/4" (57.8 CM)		





## 30-INCH 5 BURNER GAS COOKTOP

HCT305GS | HERITAGE COLLECTION



### AVAILABLE MODELS

- HCT305GS/NG/H 30" Heritage Gas Cooktop 5 Burner SS Natural Gas High Alt.
- HCT305GS/NG 30" Heritage Gas Cooktop 5 Burner SS Natural Gas
- HCT305GS/LP/H 30" Heritage Gas Cooktop 5 Burner SS Liquid Propane High Alt.
- HCT305GS/LP 30" Heritage Gas Cooktop 5 Burner SS Liquid Propane

### FEATURES & BENEFITS

- Illumina™ Indicator Lights for both style and peace of mind in the kitchen.
- SimmerSear™ Burner provides up to 18,000 BTU's and achieves ultralow temperatures for simmering and melting without any scorching.
- PermaClean™ Finish is an exclusive scratch-resistant, bead-blasted surface that retains a permanently beautiful finish.
- One-Piece Spill Basin ensures easy clean-up.
- Continuous Platform Grates for the optimum cooking surface for larger pots:
  - 2 - 8 1/2" Wide Continuous Platform Grates
  - 1 - 10 1/2" Wide Continuous Platform Grate
- Downdraft compatible for use in island configurations (MRV3015S)
- Smart Flame™ Technology for heat management to preserve the finish and life of the grates.
- Die Cast Knobs for durability and style.
- 4" Chassis Height for over-the-oven configurations.
- 5 Sealed (brass) with porcelain caps
  - Center, 18,000 (BTU) Brass Dual Burner (SimmerSear)
  - Left Front, 9,000 (BTU) Brass Standard
  - Left Rear, 12,000 (BTU) Brass Standard
  - Right Front, 9,000 (BTU) Brass Standard
  - Right Rear, 12,000 (BTU) Brass Standard

\*\*Warranty: Limited, parts and labor for one year

### CONTROL FEATURES - LED BLUE

NUMBER OF KNOBS	5 KNOBS
PERMA-FLAME™ (AUTO RE-IGNITION)	YES
ERGONOMIC, ANGLED CONTROLS	YES

### TECHNICAL DETAILS

CIRCUIT BREAKER (A)	15
VOLTS (V)	120
FREQUENCY (HZ)	60
ENERGY SOURCE	GAS

### DIMENSIONS & WEIGHT

APPLIANCE DIMENSIONS (H X W X D) (IN.)	4" X 30" X 21"
REQUIRED CUTOUT SIZE (W X D) (IN.)	27 5/8" X 19 5/8"

### ACCESSORIES (OPTIONAL)

WOK RING	AWR4
REMOVABLE NON-STICK GRIDDLE-GRILL	AGDCT12

### APPLIANCE DIMENSIONS

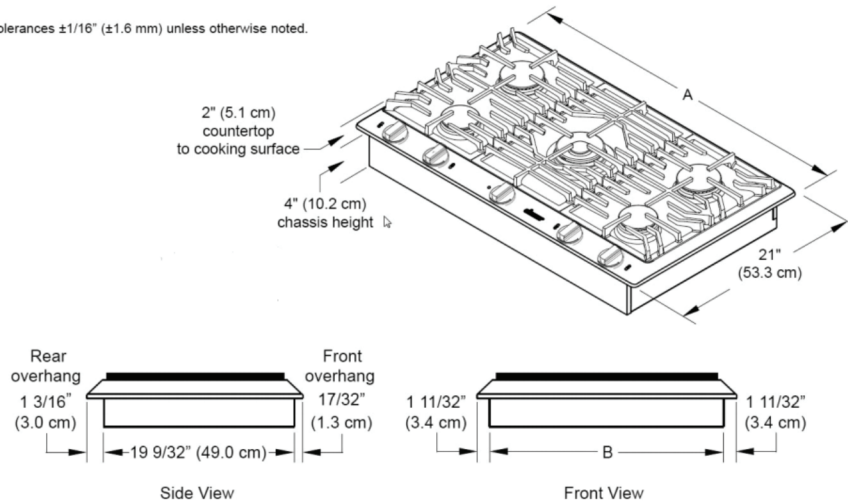
30"

A (TOP FRAME WIDTH) 30" (76.2 CM)

B (CHASSIS WIDTH) 19 9/32" (49.0 CM)

C (CHASSIS HEIGHT) 4" (10.2 CM)

Product tolerances  $\pm 1/16"$  ( $\pm 1.6$  mm) unless otherwise noted.



### CABINET CUT-OUT DIMENSIONS

COOKTOP MODEL	C	D	E	F
HCT305GS WITH NO DOWNDRAFT VENT	3 1/4" (8.3 CM)	19 5/8" (49.9 CM)	27 5/8" (70.2 CM)	6 7/8" (17.5 CM)
HCT305GS WITH MRV3015S	3/8" (1.0 CM)	22 3/4" (57.8 CM)		

