

Features

- Soap dispensing volume can be adjusted to 0.8 mL, 1.2 mL, 1.6 mL, or 2.0 mL.
- 54 oz. (1600 ml) high capacity soap reservoir.
- Optional 27 oz. (800 ml) low-capacity soap reservoir (sold separately).
- Sensor range adjustable from 1" to 4" (25.4 to 101.6 mm). Default set at approximately 2-3/4" (69.5 mm).
- Maintenance/cleaning mode is activated for 30 seconds when sensor is blocked for 10 seconds.
- Vandal-resistant sensor delays dispensing for twenty seconds if activated 4 times in under 5 seconds.
- Low soap and low battery above-the-counter indicators.
- Easy below-the-counter refill.
- Battery-operated (4 "D" batteries supplied).
- Requires low (1-20 cps or gr/m-s) viscosity foam soap with no suspended particles. Please see Installation Guide or Maintenance and Use Guide for specific soap recommendations.
- Kohler Soap (sold separately) recommended for optimized performance and longevity.

Material

- Cast brass construction for durability and reliability.

Installation

- Optional deep rough-in mounting hardware kit for counters greater than 2" (50.8 mm) thick and less than 4-1/2" (114.3 mm) thick sold separately.



Codes/Standards

None Applicable

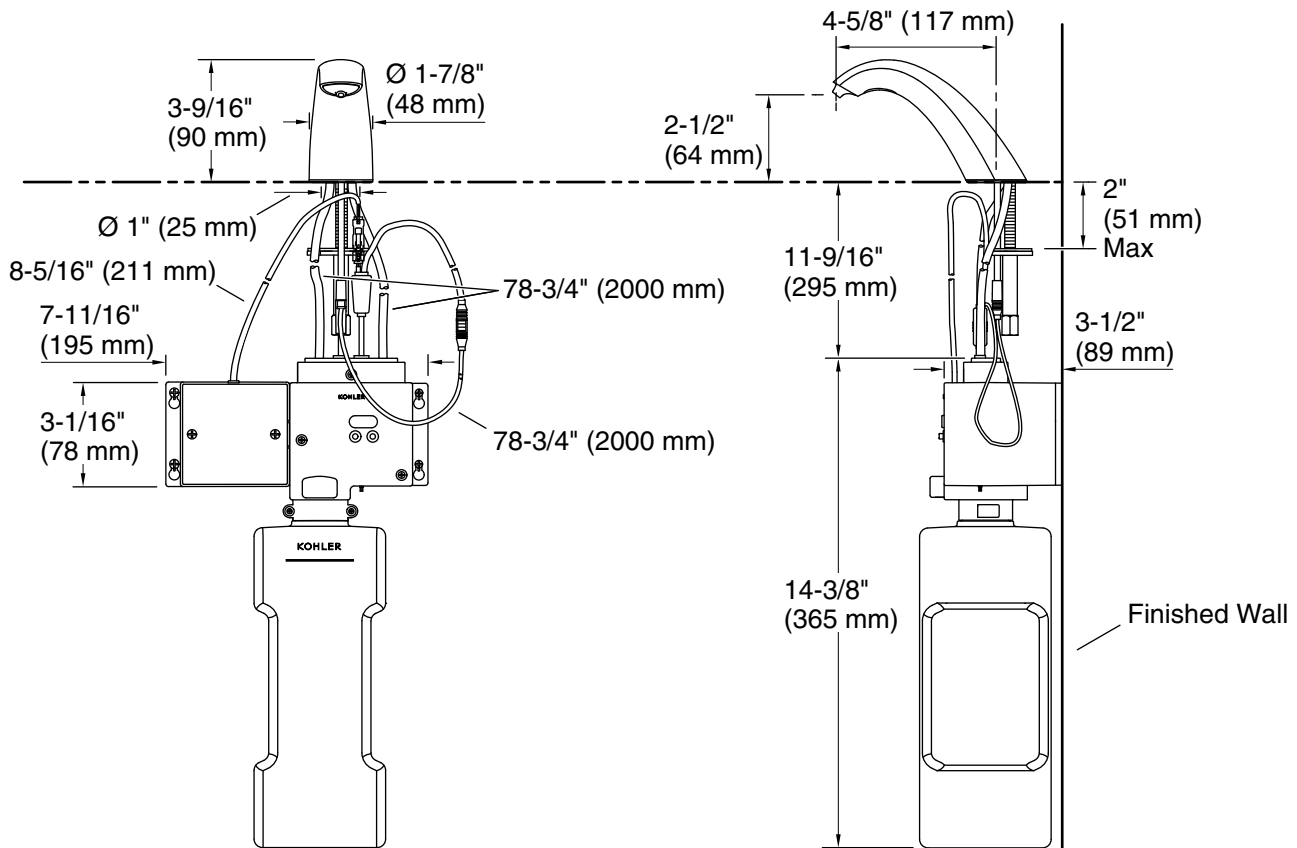
KOHLER® One-Year Limited Warranty

See website for detailed warranty information.

Available Colors/Finishes

Color tiles intended for reference only.

Color	Code	Description
	CP	Polished Chrome



Technical Information

All product dimensions are nominal.

Material: Brass

Notes

Install this product according to the installation instructions.