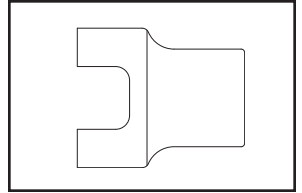
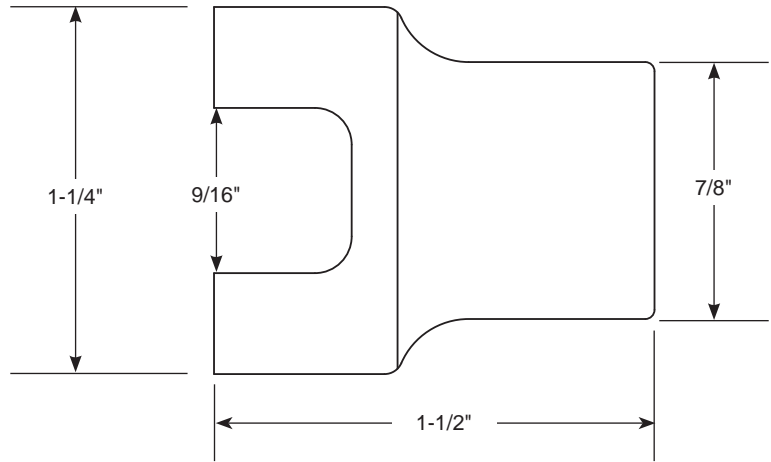
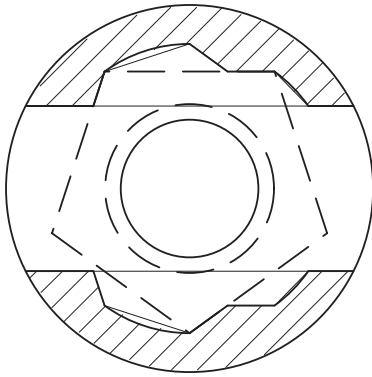


SUBMITTAL INFORMATION

Cover Valve Key Socket - (Key-3-socket Style)



KEY SOCKET FOR STANDARD PENTAGON BOLT WITH SLOT



DESCRIPTION	CATALOG NUMBER	✓ SUBMITTED ITEMS(S)
Key Socket for Standard Pentagon Bolt with Slot	KEY-3-SOCKET	

FEATURES

- Socket made of cast steel per ASTM A27
- Locks or unlocks the Lifter Worm Locks on iron or plastic meter pit covers
- Key attaches to the pentagon bolt, forming a lifter handle for the lid, then automatically disengages from the lid as the cover is locked
- Slotted for valve tee-head

The Ford Meter Box Company considers the information in this submittal form to be correct at the time of publication. Item and option availability, including specifications, are subject to change without notice. Please verify that your product information is current.



The Ford Meter Box Company, Inc.

P.O. Box 443, Wabash, Indiana U.S.A. 46992-0443

Phone: 260-563-3171 / Fax: 800-826-3487

Overseas Fax: 260-563-0167

<http://www.fordmeterbox.com>

02/21/13

Submitted By: