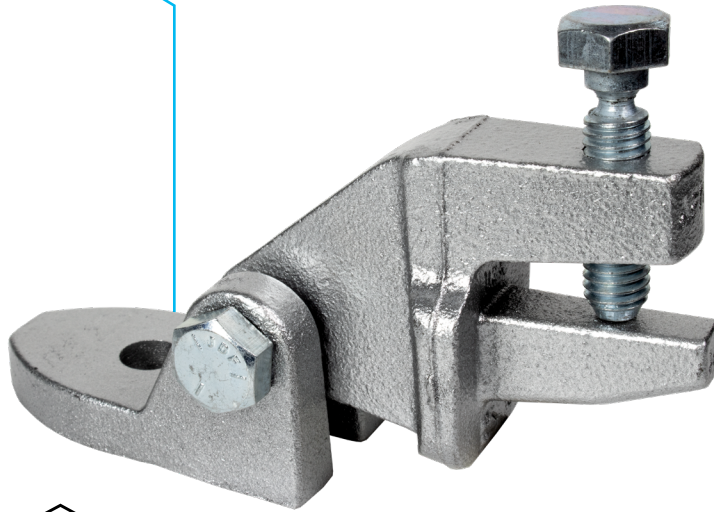


Universal Swivel Attachment Fig. AF700



Material Specifications

Size Range

Brace Member: See Table
Anchors: ½" - ¾" (M12—M18)

Material

Ductile Iron with Carbon Steel Hardware

Finish

Plain
Electro-Galvanized per ASTM B633

Service

A seismic swivel attachment designed to connect a brace member to the building structure or to a seismic structural attachment. The AF700 rigidly braces piping systems subjected to horizontal and vertical seismic loads.

Approvals

cULus Listed (ANSI/UL 203a), FM Approved (FM 1950-13), & FM Tested (FM 1950-16). FM Tested (ANSI/FM 1950-16). Complies with NFPA 13, ASCE 7, IBC, & MSS SP-127 bracing requirements.

Features

- The set screw provides a visual indication that proper installation has been achieved
- Eliminates brace member eccentricity by concentrically loading 1" and 1 ¼" brace pipes

Ordering

Specify figure number, fastener size, finish and description.

Disclaimer:

ASC Engineered Solutions does not provide any warranties and specifically disclaims any liability whatsoever with respect to ASC bracing products and components that are used in combination with products, parts or systems not manufactured or sold by ASC. In no event shall ASC be liable for any incidental, direct, consequential, special or indirect damages or lost profits where non-ASC bracing components have been, or are used.

Seis Brace® Seismic Fire Protection Design Tool may be accessed at www.seisbrace.com

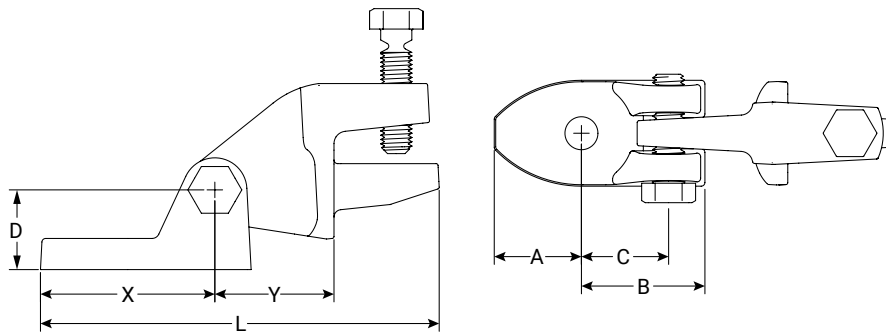


FIG. AF700 Dimensions and Weight

A	B	C	D	L	X	Y	Weight
In./mm	In./mm	In./mm	In./mm	In./mm	In./mm	In./mm	lbs/kgs
1.40	1.983	1.400	1.280	6.40	2.80	1.91	2.25
35.56	50.37	35.56	32.51	162.6	71.1	48.5	1.02

Notes:

ASC Engineered Solutions™ brand bracing components are designed to be compatible ONLY with other ASC Engineered Solutions brand bracing components, resulting in a Listed seismic bracing assembly. Updated UL listing information may be viewed at www.ul.com and updated FM approval information may be viewed at www.approvalguide.com.

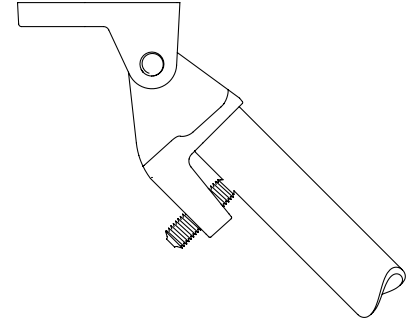
PROJECT INFORMATION	APPROVAL STAMP
Project:	Approved
Address:	Approved as noted
Contractor:	Not approved
Engineer:	Remarks:
Submittal Date:	
Notes 1:	
Notes 2:	

Universal Swivel Attachment Fig. AF700

FIG. AF700 cULus Listing per ANSI/UL 203a (ASD)

Brace Member	Fastener Size	Horizontal Load Rating at Brace Angle			Listed
		30°-44°	45°-59°	60°-90°	
1" - 2" Sch 40 Pipe (DN25 - DN50)	½" - ¾" (M12-M18)	942 lbf (4.19 kN)	1333 lbf (5.93 kN)	1632 lbf (7.26 kN)	1885 lbf (8.38 kN)

- 1) Load ratings may apply to NPFA 13 fastener orientations A, B, C, D, E, F, G, H, or I.
- 2) Brace Angles are determined from Vertical.
- 3) Listed load ratings reduced for angle ranges in accordance with NFPA 13-2019 Table 18.5.2.3.
- 4) See table below for listed brace members.
- 5) Minimum safety factor of 2.2 in accordance with NFPA 13-2019 Section A.18.5.2.3.

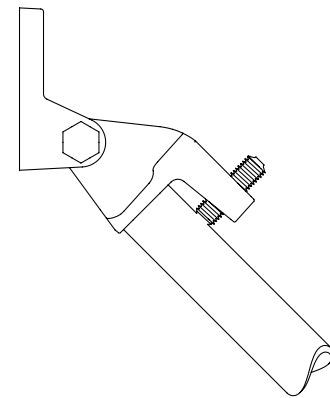


NFA 13 Orientations A, B, or C

FIG. AF700 FM Approved (Listing) per FM 1950-13 (ASD)

Brace Member	Fastener Size	Horizontal Load Rating at Brace Angle			
		30°-44°	45°-59°	60°-74°	74°-90°
1" - 2" Sch 40 Pipe (DN25 - DN50)	½" - ¾" (M12-M18)	1780 lbf (7.92 kN)	2510 lbf (11.17 kN)	3080 lbf (13.70 kN)	3440 lbf (15.30 kN)

- 1) Load ratings may apply to NPFA 13 fastener orientations A, B, C, D, E, F, G, H, or I.
- 2) Brace Angles are determined from Vertical.
- 3) Listed load ratings reduced for angle ranges in accordance with NFPA 13-2019 Table 18.5.2.3.
- 4) See table below for listed brace members.
- 5) Minimum safety factor of 1.5 in accordance with NFPA 13-2016 Section A.9.3.5.2.3. To convert the load ratings above to a safety factor of 2.2 per NFPA 13-2019 Section A.18.5.2.3, multiply load ratings by a factor of 0.68.
- 6) To convert to LRFD Load Ratings, ASD Load Ratings may be multiplied by a factor of 1.5.



NFA 13 Orientations D, E, or F

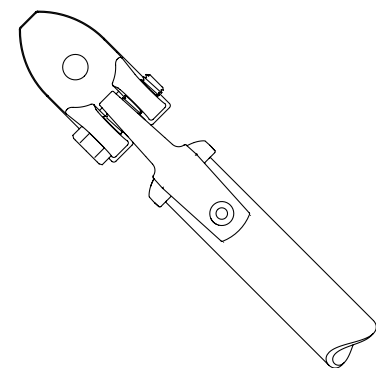
FIG. AF700 FM Listed, Approved & Tested Brace Members

Brace Member	Brace Size	Standard (or Equivalent)	UL	FM
Sch. 40 NPS Pipe	1", 1¼", 1½", 2"	ASTM A53, A106, A135, or A795	✓	✓
Sch. 40 Metric Pipe	DN25	KS S 3562	✓	✓
	DN32	EN10255H		✓
	DN40	GB/T 3091		✓
Metric Pipe	DN50	JIS G3454		✓

FIG AF700 Horizontal Prying Factors (Pr) Per NFPA 13: Angles (Deg)

Fastener Orientation	A	B	C	D	E	F	G	H	I	
	Brace Angle	30°-44°	45°-59°	60°-90°	30°-44°	45°-59°	60°-90°	30°-44°	45°-59°	60°-90°
AF700		2.55	1.09	0.91	1.41	1.45	2.00	1.83	1.29	1.06
AF700 w/ Metal Deck ¹		2.55	1.09	1.14	-	-	-	-	-	-
AF700 w/ Metal Deck ²		2.75	1.11	1.14	-	-	-	-	-	-

- 1) Prying factors reflect the baseplate "B" dimension overhanging the edge of the metal deck. Used for DeWalt anchor loads.
- 2) Prying factors reflect the baseplate "A" or "B" dimension overhanging the edge of the metal deck. Used for NFPA & Hilti anchor loads.
- 3) Prying Factors calculated in accordance with NFPA 13-2019 Section A.18.5.12.2.



NFA 13 Orientations G, H, or I



asc-es.com

Building connections that last™

Universal Swivel Attachment Fig. AF700

Method 1 – Connection to Brace Member First

- 1 Slide the brace member over the lower jaw until it contacts the back wall.
- 2 Hand tighten the set screw until it contacts the brace member. Continue to torque the set screw until the head breaks off.
- 3 Rotate the brace assembly up to the fastener or the related seismic structural attachment and connect through the mounting hole.
- 4 Tighten per the fastener or structural attachment specifications.
- 5 Ensure the brace angle is within the range specified.

Notes: The cross bolt should be hand tight. For visual inspection, at least one thread should be exposed.

Method 2 – Connection to Structure First

- 1 Connect the AF700 to the fastener or the related seismic structural attachment.
- 2 Tighten per the fastener or structural attachment specifications.
- 3 Slide the brace member over the lower jaw until it contacts the back wall.
- 4 Hand tighten the set screw until it contacts the brace member. Continue to torque the set screw until the head breaks off.
- 5 Rotate the brace member until the brace angle is within the specified range.

Notes: The cross bolt should be hand tight. For visual inspection, at least one thread should be exposed..

Structural Attachments, Anchors, & Fasteners Listed, Approved, & Tested with the AF700

Structural Attachment	Structure
AF085	Steel Joist (Top Chord)
AF086	Horizontal Steel Flange (I-Beam Bottom Flange)
AF772	Horizontal Steel Flange (I-Beam Bottom Flange)
AF778	Horizontal Steel Flange (I-Beam Top or Bottom Flange) C-Channel (Top or Bottom Flange) Vertical Flange of a Joist (Top Chord)
AF779	All Structures with the Applicable Approved Anchor or Fastener
DeWalt Power-Stud®+ SD1	Cracked Concrete Cracked Concrete Filled Metal Deck
DeWalt Power-Stud®+ SD2	Cracked Concrete Cracked Concrete Filled Metal Deck
DeWalt Wood-Knocker®II+	Cracked Concrete
DeWalt Bang-It®+	Cracked Concrete Filled Metal Deck
DeWalt DDI+™	Cracked Concrete Filled Metal Deck
Anchors & Fasteners Per NFPA 13	Cracked Concrete Cracked Concrete Filled Metal Deck Steel Wood Saw Lumber or Glue-Laminated Timbers



asc-es.com

Building connections that last™