



4-1/2" AMERICAN - DARLING® MARK 73-5 FIRE HYDRANT

The **4-1/2" American-Darling MARK 73-5** hydrant incorporates over 100 years of experience in design, manufacture and field experience. This means dependable and efficient operation when needed.

Introduced in 1973, the **4-1/2" American-Darling MARK 73-5** hydrant is rated at 250 psig and is seat tested at 500 psig. The hydrant meets or exceeds all requirements of ANSI/AWWA C502 for dry barrel hydrants.

The **4-1/2" American-Darling MARK 73-5** hydrant has all the features you expect from a high quality fire hydrant. The epoxy primer and polyurethane top coat system on external surfaces of the upper barrel provide a durable, high-gloss finish that will continue to look good for years without repainting. The all bronze seat and bronze drain ring assure that the **4-1/2" American-Darling MARK 73-5** hydrant is easily repaired.

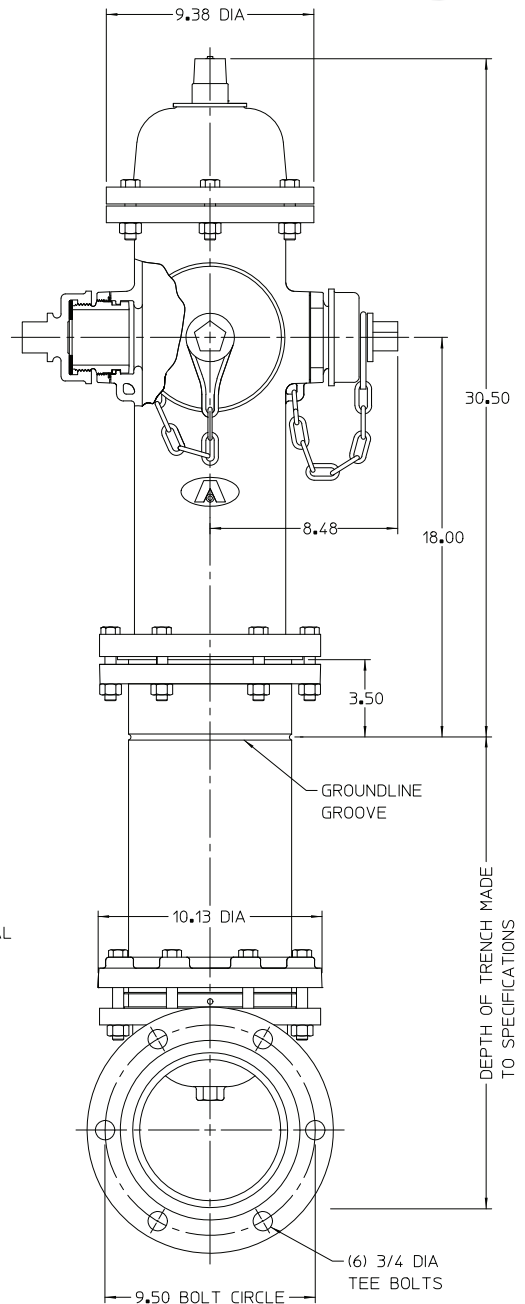
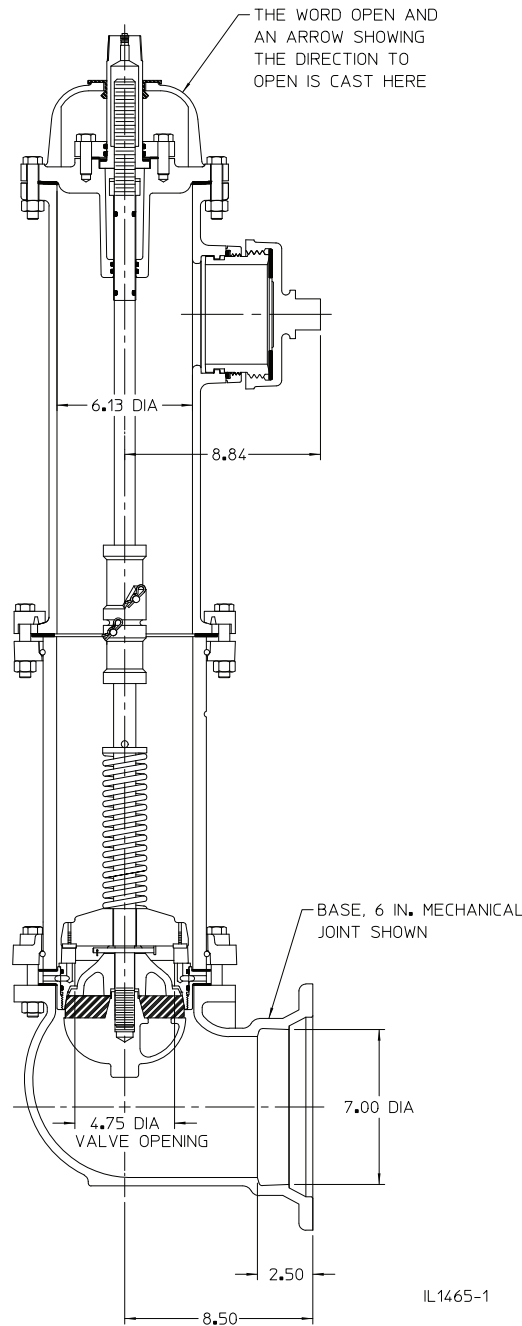
Optional UL-FM in Allowable Configurations

The **4-1/2" American-Darling MARK 73-5** hydrant is UL Listed by UL as meeting their standard UL 246, latest edition. FM Approvals has approved the **4-1/2" American-Darling MARK 73-5**. Both UL and FM Approvals require that we consistently manufacture and test our hydrants in compliance with their stringent requirements. Our facilities are subject to periodic inspections to assure we are in compliance with their standards.

4-1/2" AMERICAN-DARLING® MARK 73-5 DIMENSIONS



Depth of Trench	Length of Lower Rod
2' -0"	21.50"
2' -6"	27.50"
3' -0"	33.50"
3' -6"	39.50"
4' -0"	45.50"
4' -6"	51.50"
5' -0"	57.50"
5' -6"	63.50"
6' -0"	69.50"
6' -6"	75.50"
7' -0"	81.50"
7' -6"	87.50"
8' -0"	93.50"
8' -6"	99.50"
9' -0"	105.50"
9' -6"	111.50"
10' -0"	117.50"
10' -6"	123.50"
11' -0"	129.50"
11' -6"	135.50"
12' -0"	141.50"
12' -6"	147.50"
13' -0"	153.50"
13' -6"	159.50"
14' -0"	165.50"
14' -6"	171.50"
15' -0"	177.50"
15' -6"	183.50"
16' -0"	189.50"
16' -6"	195.50"
17' -0"	201.50"
17' -6"	207.50"
18' -0"	213.50"
18' -6"	219.50"
19' -0"	225.50"
19' -6"	231.50"

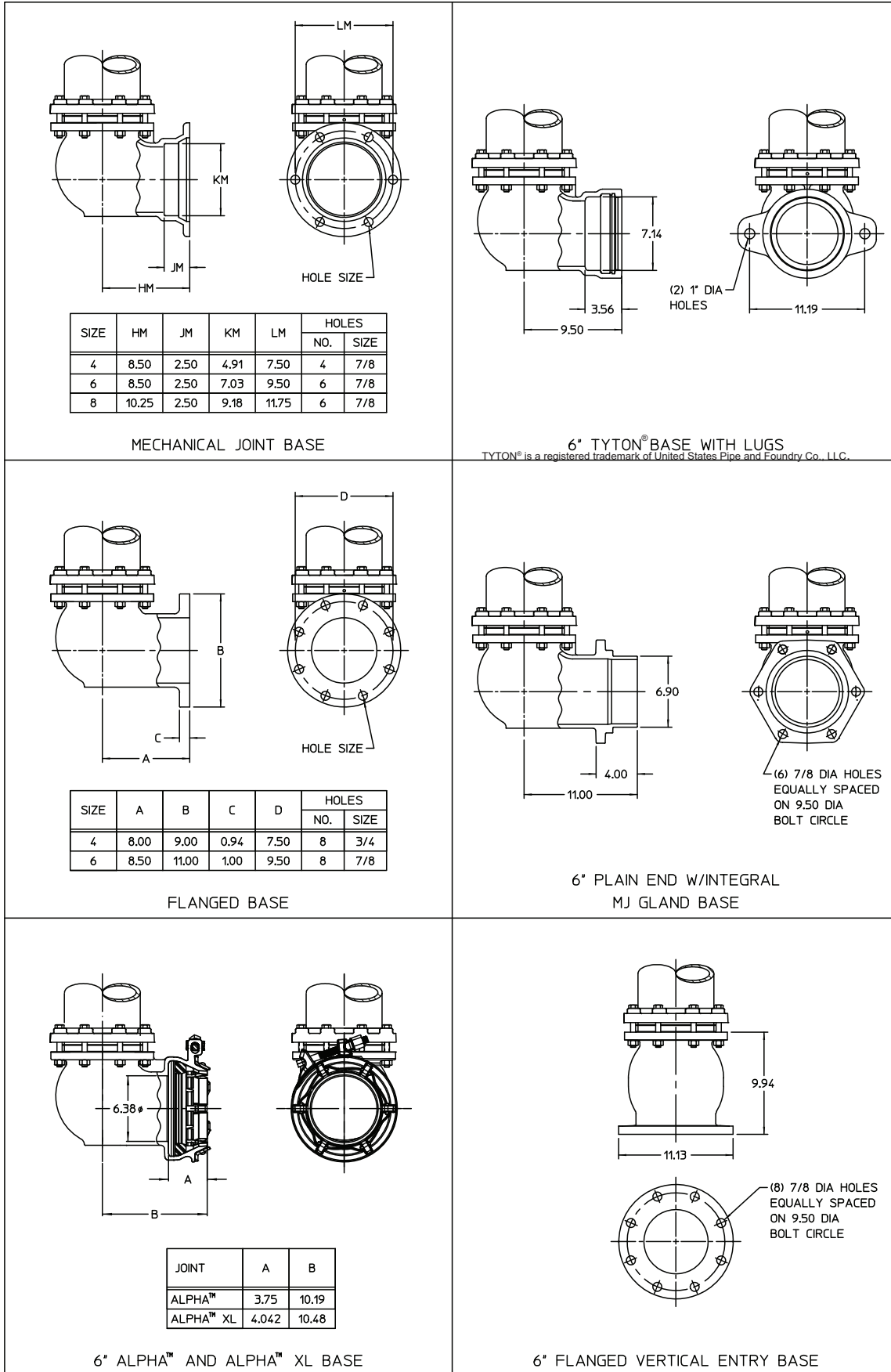


IL1465-1

NOTES:

1. Depth of trench is the nominal distance from ground line to bottom of connecting pipe.
2. Size and shape of nut on operating nut and cap, threading on nozzles and caps, and the direction of opening made to specifications.
3. Cap chains are not furnished unless specified.
4. Working pressure 250 psig, test pressure 500 psig.
5. Hydrant meets or exceeds the ANSI/AWWA C502 standard.
6. Upper barrel can be rotated 360 degrees.
7. UL Listed and Approved by FM Approvals at 250 psig in allowable configurations.
8. Certified to NSF/ANSI 61 and NSF/ANSI 372, which exhibit compliance with the U.S. Safe Drinking Water Act

4-1/2" AMERICAN-DARLING® MARK 73-5 DIMENSIONS, OPTIONAL BASES



ALPHA™ is a trademark of Romac Industries, Inc. (U.S. Patent 8,894,100)

IL1473-2A



AMERICAN Flow Control®
4-1/2" AMERICAN-DARLING® MARK 73-5 FIRE HYDRANT
 SUBMITTAL SHEET

City Specification: _____ Quantity: _____		
Direction to Open: <input type="checkbox"/> Left (C.C.W.) <input type="checkbox"/> Right (C.W.)		
Operating Nut Size: _____ Shape _____ American Darling No. (If Known) _____		
Nozzles		
Configuration: (Check One)	Pumper Nozzle:	Hose Nozzle:
<input type="checkbox"/> Two Hose, One Pumper <input type="checkbox"/> Two Hose <input type="checkbox"/> One Pumper	Storz: 4 in. 5 in. National Std <input type="checkbox"/> Yes <input type="checkbox"/> No Size _____ _____ Pitch Dia x _____ T.P.I. _____ O. D. American-Darling Thread (If Known) _____	National Std <input type="checkbox"/> Yes <input type="checkbox"/> No Size _____ _____ Pitch Dia x _____ T.P.I. _____ O. D. American -Darling Thread (If Known) _____
Nozzle Cap Chains: <input type="checkbox"/> Yes <input type="checkbox"/> No		
Depth of Trench: _____		
Base Connection: (Check One)		
<input type="checkbox"/> 4" MJ <input type="checkbox"/> 6" MJ <input type="checkbox"/> 8" MJ <input type="checkbox"/> 4" Class 125 Flange <input type="checkbox"/> 6" Class 125 Flange <input type="checkbox"/> 6" TYTON® <input type="checkbox"/> 6" Plain End with Intergral MJ Gland <input type="checkbox"/> 6" Vertical Entry <input type="checkbox"/> 6" ALPHA™ <input type="checkbox"/> 6" ALPHA™ XL		
Paint Color: _____		
UL Listed, FM Approved: <input type="checkbox"/> Yes <input type="checkbox"/> No		
Other Requirements: (List) _____		

AMERICAN Flow Control
American-Darling & Waterous
 A Division of AMERICAN

NOTES:

1. Meets or exceeds requirements of ANSI/AWWA C502, latest revision, with 250 psig rated working pressure.
2. UL Listed and Approved by FM Approvals at 250 psig in allowable configurations.
3. Certified to NSF/ANSI 61 and NSF/ANSI 372.
4. TYTON® is a registered trademark of United States Pipe and Foundry Co., LLC.
5. ALPHA™ is a trademark of Romac Industries, Inc. (U.S. Patent 8,894,100)

Visit our website at <http://www.american-usa.com/afc>