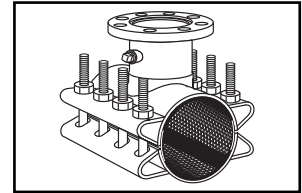


SUBMITTAL INFORMATION

Stainless Steel Tapping Sleeve 4"-12" - (FTSS-xxx-x style)



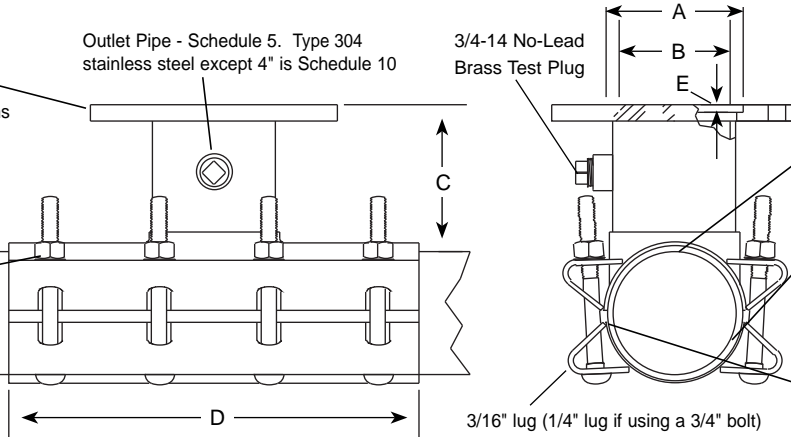
TAPPING SLEEVE WITH STAINLESS STEEL OR CARBON STEEL FLANGE

Flange - 18-8 Type 304 stainless steel with recess per MSS SP60 to accept standard tapping valves. Flange conforms to AWWA C228 Class D ANSI 150# drilling. Optional carbon steel flange, per AWWA C207, is available.

Bolts, Nuts, & Washers - Type 304 stainless steel. Heavy hex nuts and washers are coated to prevent galling and maximize bolt efficiency.

Outlet Pipe - Schedule 5. Type 304 stainless steel except 4" is Schedule 10

3/4-14 No-Lead Brass Test Plug



Outlet Gasket - Virgin Buna-N compounded for water service, per ASTM D2000. Outlet gasket assures complete seal of outlet area.

Full Gasket - Gridded virgin SBR compounded for water service, per ASTM D2000. Full gasket gives 360° pipe coverage.

Armors - Heavy gage stainless steel are vulcanized to gasket and recessed to bridge the gap between lugs.

NOM. PIPE SIZE	SLEEVE O.D. RANGE	CATALOG NUMBER	BY	FLANGED OUTLET SIZE*	APPROX. WT.	NOMINAL DIMENSIONS - INCHES					SADDLE THICKNESS (GAGE)	STRAP THICKNESS (GAGE)	BOLT SIZE	✓ SUBMITTED ITEM(S)
						A	B	C	D	E				
4"	4.50-4.80	FTSS-480-	X	3"	36	4-1/64"	3-1/4"	5-3/16"	15"	.28	.105" (12)	.075" (14)	5/8"x6-1/2"	
	4.80-5.00	FTSS-500-												
	5.10-5.30	FTSS-530-												
	5.20-5.40	FTSS-540-												
6"	6.63-7.00	FTSS-700-	X	3"	40	4-1/64"	3-1/4"	5-3/16"	15"	.28	.105" (12)	.075" (14)	5/8"x6-1/2"	
	6.90-7.30	FTSS-730-												
	7.30-7.50	FTSS-750-												
8"	8.63-9.05	FTSS-905-	X	3"	40	4-1/64"	3-1/4"	5-3/16"	15"	.28	.105" (12)	.075" (14)	5/8"x6-1/2"	
	9.05-9.30	FTSS-930-												
	9.30-9.60	FTSS-960-												
	9.45-9.75	FTSS-975-												
10"	10.75-11.10	FTSS-1110-	X	3"	44	4-1/64"	3-1/4"	5-3/16"	15"	.28	.105" (12)	.075" (14)	5/8"x6-1/2"	
	11.10-11.40	FTSS-1140-												
	11.40-11.70	FTSS-1170-												
	11.85-12.15	FTSS-1215-												
12"	12.75-13.20	FTSS-1320-	X	3"	44	4-1/64"	3-1/4"	5-3/16"	15"	.28	.105" (12)	.075" (14)	5/8"x6-1/2"	
	13.20-13.50	FTSS-1350-												
	13.50-13.80	FTSS-1380-												
	14.10-14.40	FTSS-1440-												

* To order: Add Flanged Outlet Size to catalog number. Example: The complete FTSS catalog number for a 6" pipe (6.90 O.D.) with a 4" stainless steel flange is FTSS-730-4. For a carbon steel flange, add "A" to the catalog number. Example: FTSS-710-4A

FEATURES

- Body, Straps and UNC threaded bolts are made of 18-8 Type 304 stainless steel. Flange can be either Stainless Steel or ASTM A36 Carbon Steel. All sleeves are fully passivated for corrosion resistance.
- Stainless steel plug available add "-SP" to part number
- Meets AWWA C223
- Tapping Sleeves rated for 250 psi working pressure on 4"-12"
- UL Classified to ANSI/NSF Standard 61

The Ford Meter Box Company considers the information in this submittal form to be correct at the time of publication. Item and option availability, including specifications, are subject to change without notice. Please verify that your product information is current.



The Ford Meter Box Company, Inc.
 P.O. Box 443, Wabash, Indiana U.S.A. 46992-0443
 Phone: 260-563-3171 / Fax: 800-826-3487
 Overseas Fax: 260-563-0167
<http://www.fordmeterbox.com>

01/25/14

Submitted By: