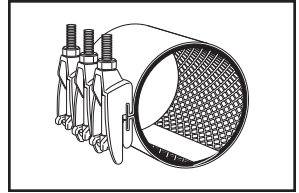


SUBMITTAL INFORMATION

Repair Clamps - (F1-xxx-Length style)



1" TO 4" STAINLESS STEEL REPAIR CLAMPS WITH DUCTILE IRON LUGS

Optional Stainless Taps
Type 304 stainless steel TIG welded to band. Available with AWWA or I.P. threads.

Band
Type 304 stainless steel

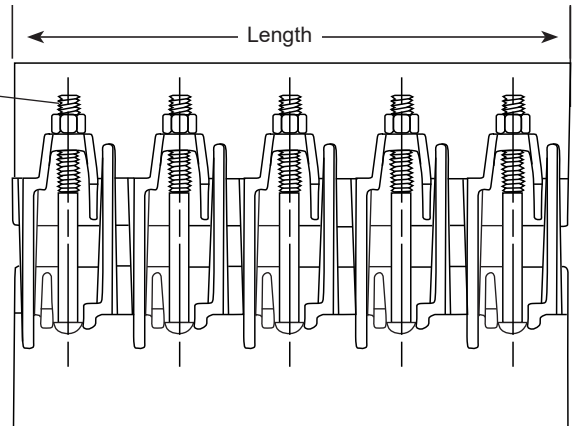
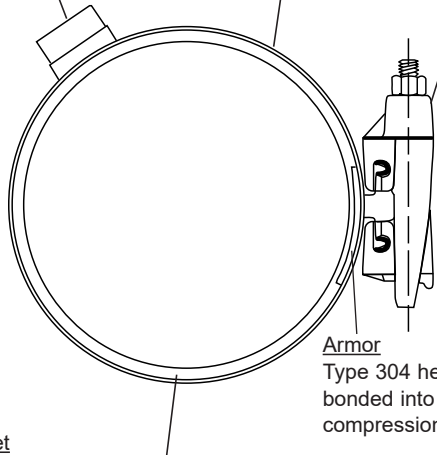
Lugs
Ductile Iron per ASTM A536
Finish: E-coat epoxy

Nuts and Bolts
High strength, low alloy steel per ASTM A242 and AWWA C111

Optional
Type 304 stainless steel bolts and nuts per ASTM A193 and A194

Armor
Type 304 heavy gauge stainless steel, mold bonded into the gasket to ensure uniform compression against the pipe

Gasket
Gridded Virgin SBR compounded for water service, per ASTM D2000. NBR (Buna-N) is available.



OUTLET THREAD TAP CODE

CC (AWWA) Thread			IP Thread		
THREAD	CODE NUMBER	MIN. CLAMP SZ. (IN.)	THREAD	CODE NUMBER	MIN. CLAMP SZ. (IN.)
3/4" CC	-CC3	2.63	3/4" IP	-IP3	2.63
1" CC	-CC4	2.63	1" IP	-IP4	2.63
1-1/4" CC	-CC5	3.70	1-1/4" IP	-IP5	3.70
1-1/2" CC	-CC6	4.25	1-1/2" IP	-IP6	3.70
2" CC	-CC7	4.73	2" IP	-IP7	4.25

NOM. PIPE SIZE	PIPE O.D. RANGE (IN.)	LENGTH AND APPROXIMATE WEIGHT (LBS.)						BOLT SIZE	BAND THICKNESS	CATALOG NUMBER	✓ SUBMITTED ITEM(S)	
		7.5"	10"	12.5"	15"	20"	30"					
1"	1.88 - 2.15	7	9	12	14	n/a	n/a	5/8" x 6-1/2"	24 GA.	F1-215-Length		
2"	2.35 - 2.63	7	9	12	14	n/a	n/a			F1-263-Length		
2-1/4" - 2-1/2"	2.70 - 3.00	7	10	12	14	n/a	n/a			F1-300-Length		
3"	2.97 - 3.25	8	10	12	14	n/a	n/a			F1-325-Length		
	3.46 - 3.70									F1-370-Length		
	3.73 - 4.00									F1-400-Length		
3" - 4"	3.96 - 4.25	8	11	13	15	n/a	n/a			F1-425-Length		
	4.45 - 4.73									F1-473-Length		
	4.74 - 5.14									F1-514-Length		
4"	4.95 - 5.35	11	15	18	22	29	44			24 GA.	F1-535-Length	
	5.22 - 5.62										F1-562-Length	
Number of Bolts		3	4	5	6	8	12					

FEATURES

- Drop-in bolt design allows bolts to remain attached - no loose parts to lose in the ditch.
- Also available in two- and three- section clamps for a wider range of pipe sizes and tolerances.
- Optional outlet taps are available for repair of service line pull-outs. Add tapping code to catalog number.
- All welds are fully passivated to restore corrosion resistant characteristics of stainless steel.
- Removable lugs
- Certified to ANSI/NSF Standard 61

The Ford Meter Box Company considers the information in this submittal form to be correct at the time of publication. Item and option availability, including specifications, are subject to change without notice. Please verify that your product information is current. Our standard warranty applies.



The Ford Meter Box Company, Inc.
P.O. Box 443, Wabash, Indiana U.S.A. 46992-0443
Phone: 260-563-3171 / Fax: 800-826-3487
Overseas Fax: 260-563-0167
www.fordmeterbox.com

12/04/19

Submitted By: