

### Features

- Diverter switches water between showerhead or handshower
- 1/2-inch NPT connection
- For use with KOHLER showerheads & handshowers (sold separately)

### Material

- Brass construction
- KOHLER finishes resist corrosion and tarnishing

### Recommended Accessories

- K-30646 Shower Filtration System
- K-30647 Shower Filter Replacement



### Codes/Standards




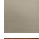
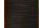
ASME A112.18.1/CSA B125.1

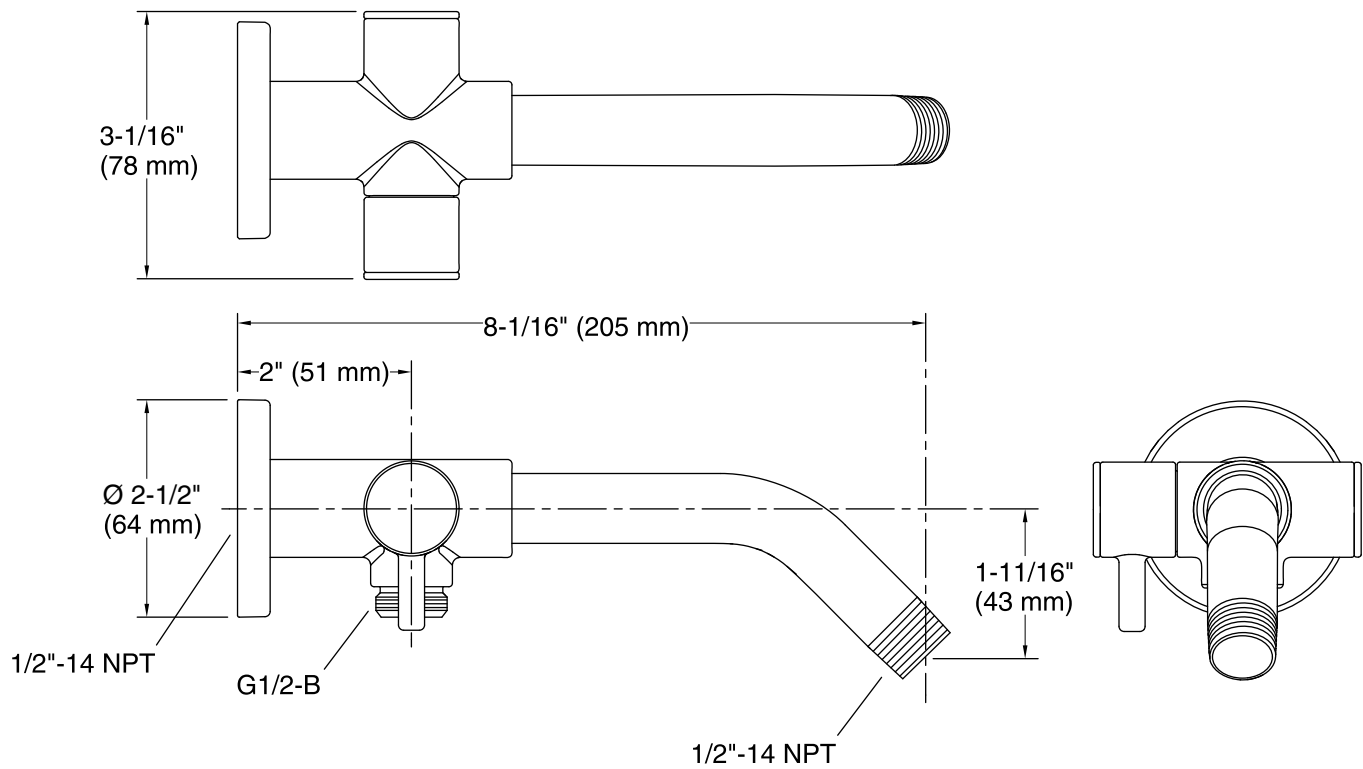
### KOHLER® Faucet Lifetime Limited Warranty

See website for detailed warranty information.

### Available Color/Finishes

*Color tiles intended for reference only.*

Color	Code	Description
	CP	Polished Chrome
	SN	Vibrant® Polished Nickel
	BN	Vibrant® Brushed Nickel
	BV	Vibrant® Brushed Bronze
	2BZ	Oil-Rubbed Bronze



### Technical Information

All product dimensions are nominal.

### Notes

Install this product according to the installation guide.