

Technology

- Frameless, 1/4-inch-thick Crystal Clear tempered glass.
- Innovative roller design simplifies installation and provides out-of-plumb adjustability while glass is installed.
- Cushioned center guide provides quiet sliding action.
- Gently curved towel bars, inside and outside, provide integrated storage on the door.
- CleanCoat® nanotechnology helps prevent bacteria, mildew and water stains on your glass, making it easy to clean and looking new.

Installation

- Sliding bath door.
- Not for use in hospitality.

Included Components

Additional Components:
Hardware kit



Codes/Standards

CPSC 16CFR 1201
ANSI Z97.1

KOHLER® One-Year Limited Warranty

See website for detailed warranty information.

Available Colors/Finishes

Color tiles intended for reference only.

| Color | Code | Description |
|-------|------|-------------|
|-------|------|-------------|

SH

MX

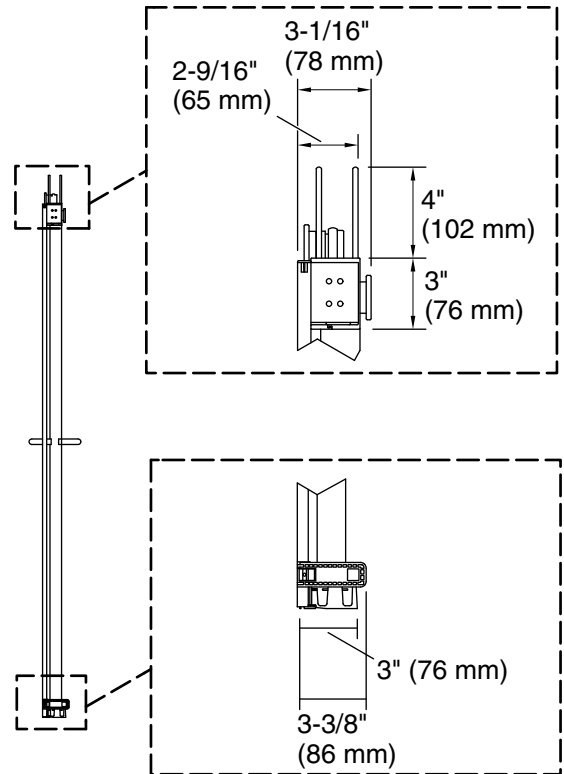
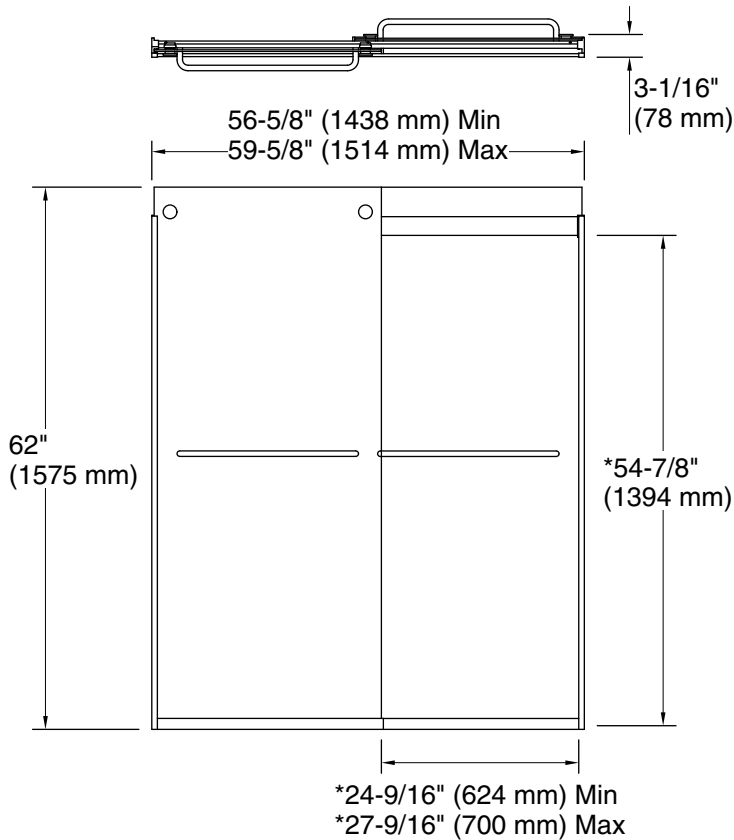
ABV

ABZ

Available Glass Options

| Code | Description |
|------|-------------|
|------|-------------|

L Crystal Clear



*Walk-through

Technical Information

All product dimensions are nominal.

| | |
|----------------------|-----------------------|
| Installation type: | For bath installation |
| Opening style: | Sliding/Bypass |
| Opening Width - Min: | 56-5/8" (1438 mm) |
| Opening Width - Max: | 59-5/8" (1514 mm) |
| Walk-through - Min: | 24-9/16" (624 mm) |
| Walk-through - Max: | 27-9/16" (700 mm) |
| Glass thickness: | 1/4" (6 mm) |
| Glass coating: | CleanCoat® |

Notes

Install this product according to the installation guide.

If replacing a shower door, the narrow wall jamb design of this door may not cover the existing shower door holes.

The vertical opening should be a minimum of 64-1/2" (1638 mm) to allow for installation clearance.