

TRENCH TOUGH PLUS™

MOLDED PVC FITTINGS

TRENCH TOUGH PLUS™

SDR35 GASKETED SEWER FITTINGS

- Ideal for use in wastewater, stormwater and industrial waste applications.
- Reinforced to SDR26 thickness at key locations such as the branches of tees and wyes for optimal long-term performance.
- Joint withstands 15 psi hydrostatic pressure and a -10.8 psi vacuum pressure.
- Leak-proof at 5° joint deflection and 5% ring deflection.

Injection
Molded
4" – 18"

Fabricated
18" – 42"



NEW MOLDED GASKETED SDR35 SEWER FITTINGS

Product	Size (inches)	Size (mm)	Old Part #	NEW Part #
45° WYE (GxGxG)	15 x 10	375 x 250	043317	143317
	15 x 12	375 x 300	043318	143318
	15	375	043310	143310
	18 x 4	450 x 100	043904	143904
	18 x 6	450 x 150	043903	143903
45° ELBOW (GxG)	15	375	043515	143515
45° ELBOW (SxG)	15	375	043951	143951
REPAIR COUPLING WITHOUT PIPE STOP (GxG)	12	300	043631	143631
EXTENDED BUSHING (SxG) - Concentric	12 x 4	300 x 100	043697	143697
	12 x 6	300 x 150	043617	143617
	12 x 8	300 x 200	043616	143616
	12 x 10	300 x 250	043623	143623
INCREASER COUPLING (GxG)	12 x 4	300 x 100	043798	143798
	12 x 6	300 x 150	043530	143530
	12 x 8	300 x 200	043532	143532
	12 x 10	300 x 250	043520	143520

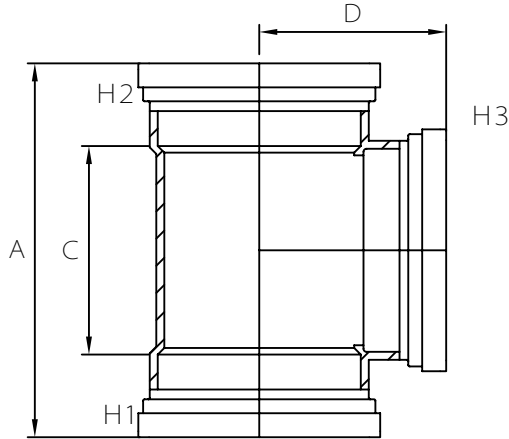


MULTI FITTINGS

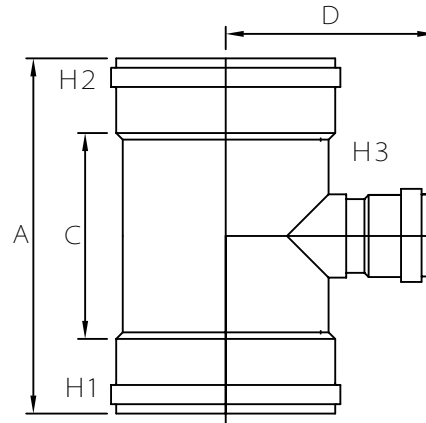
LAYING LENGTH

ISSUE DATE: OCT 30/17
SUPERCEDES: MAR 11/05

TEE (GxGxG)



INJECTION MOLDED FITTING (M)



FABRICATED FITTING (F)

	SIZE H1xH2xH3	PART NUMBER	A REF	C REF	D REF
M =	4x4x4	063104	8.625	4.375	4.375
M =	6x6x4	063105	10.250	4.375	5.375
M =	6x6x6	063106	12.375	6.500	6.125
<>M =	8x8x4	063094	11.875	5.000	6.750
M =	8x8x6	063096	13.875	7.000	7.125
M =	8x8x8	063098	15.625	8.625	7.750
M =	10x10x4	063102	14.625	6.750	7.375
M =	10x10x6	063099	14.625	6.750	8.375
M =	10x10x8	043108	18.750	11.000	9.375
M =	10x10x10	043089	18.750	11.000	10.500
M =	12x12x4	063091	15.625	6.750	8.375
M =	12x12x6	063103	15.625	6.750	9.375
M =	12x12x8	043100	21.875	13.000	10.375
M =	12x12x10	043078	21.875	13.000	11.500
M =	12x12x12	043101	21.875	13.000	11.625
<>M =	15x15x4	043092	18.750	9.250	10.625
M =	15x15x6	043110	18.750	9.250	11.250
M =	15x15x8	043111	18.750	9.250	11.875
M =	15x15x10	063027	25.750	16.250	12.000
M =	15x15x12	063026	25.750	16.250	12.500
M =	15x15x15	063025	25.750	16.250	12.875

Note: = Refer to Page G4 for Hub Detail, Type A
 @ Refer to Page G5 for Hub Detail, Fabricated
 <> 4" Deep hub