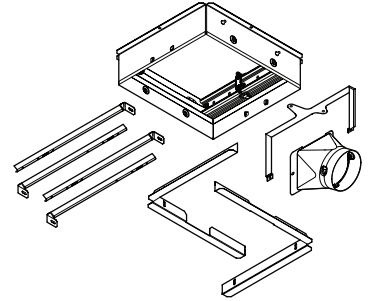


RDMWT RADIATION DAMPER FOR InVent™ VENTILATION FANS



Radiation damper for use with Broan and NuTone ventilation fans (sold separately).

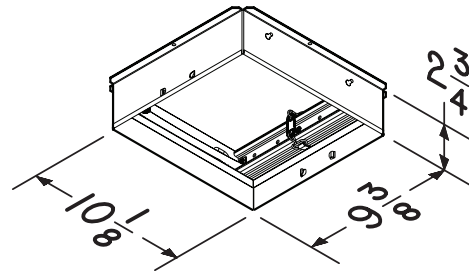
FEATURES

- For use with 1, 2 or 3-Hour-Rated Floor-Ceiling and Roof-Ceiling Designs.
- UL Classified UL555C
- Meets or exceeds NFPA-90A
- UL/ cUL Listed for use in the following Floor Ceiling and Roof Ceiling Assemblies: L521, L528, L546, L558, L562, L574, L576, L581, L583, L585, P522, P533, P538, P545, and P547 when installed per instructions.
- Stainless steel closure springs
- 165° F fusible link
- Galvanized steel frame.
- Separate outer frame allows complete fan and damper serviceability without disturbing surrounding ceiling material.
- Kit includes the following:
 - Radiation Damper
 - 4" Round Metal Damper / Duct Connector
 - Mounting Support Bars
 - Plaster Supports
 - Motor Mounting Bracket
 - Light Jumper Cable

RDMWT is for use with the following ventilation fan models:

Broan A000HF, A000HFC, A000HL, A110, A110C, A110F, A110FC, A110HF, A80, A80C, A80F, A80FC, A80HD, A80HDF, AE110, AE110C, AE110F, AE110FC, AE110L, AE50, AE50F, AE80, AE80B, AE80BF, AE80BL, AE80BLF, AE80F, AE80L, AE80LF, AE100BF, AE110LF, AR80X, AER110, AER80, AER50, AR110, AER110L, AE80S, AE80SL, AE110S, AE110SL, A000HFS

NuTone AEN110, AEN110C, AEN110F, AEN110L, AEN50, AEN50F, AEN80, AEN80B, AEN80BF, AEN80BL, AEN80BLF, AEN80F, AEN80L, AEN80LF, AN000HF, AN000HFC, AN000HL, AN110, AN110C, AN110F, AN110FC, AN110HF, AN80C, AN80FC, AN80HDF, AERN110, ARN80, ARN80HD, AERN110L



SEE DETAILS ON
UL CLASSIFICATION
MARKING ON PRODUCT

Broan Hartford, Wisconsin www.broan.com www.nutone.com 800-558-1711
Broan Canada Mississauga, Ontario www.broan.ca www.nutone.ca 877-896-1119

REFERENCE	QTY.	REMARKS	Project
			Location
			Architect
			Engineer
			Contractor
			Submitted by
			Date