

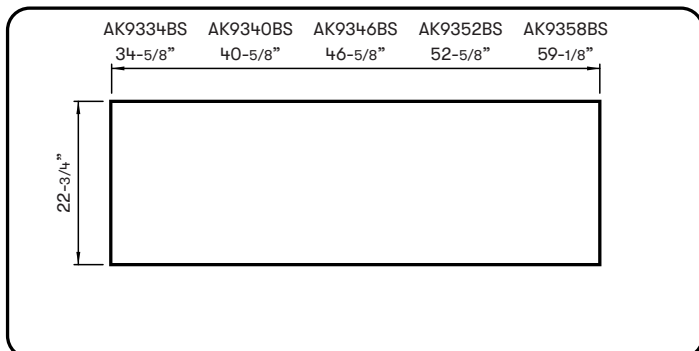
ACT™

	INTERNAL BLOWER STANDARD	INTERNAL BLOWER with ACT™ AIRFLOW CONTROL TECHNOLOGY™*	
Min. - Max. CFM	450 - 1,200	350 - 590	350 - 390
Min. - Max. Sones	3.5 - 9	3.3 - 6	3.3 - 4

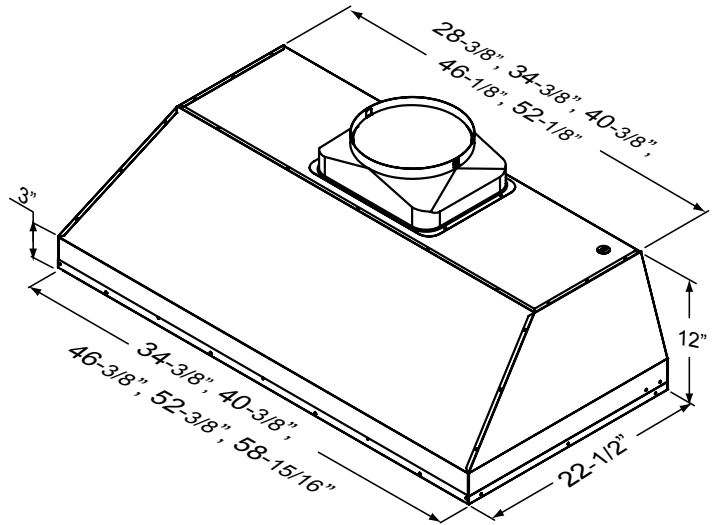
*AIRFLOW CONTROL TECHNOLOGY™ (ACT™) is an exclusive feature built into specific Zephyr hoods which can limit the maximum blower CFM to meet local code requirements.



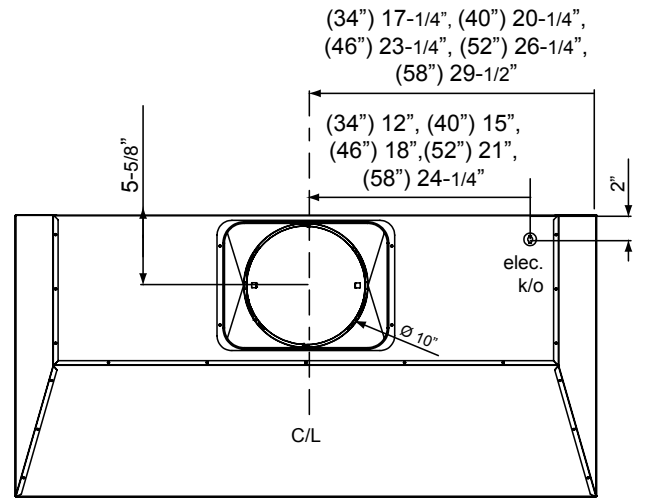
Includes Wireless Remote Control



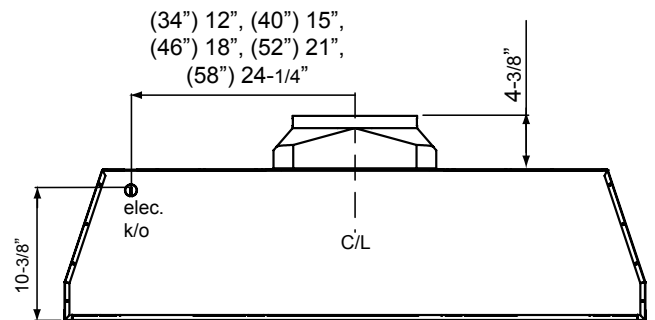
Cabinet Bottom Cut-Out Size (W x D): 34-5/8" x 22-3/4" (AK9334BS), 40-5/8" x 22-3/4" (AK9340BS), 46-5/8" x 22-3/4" (AK9346BS), 52-5/8" x 22-3/4" (AK9352BS), 59-1/8" x 22-3/4" (AK9358BS)



3/4 VIEW



TOP



BACK

MODEL	AK9334BS	AK9340BS	AK9346BS	AK9352BS	AK9358BS
Stainless Steel Size	36" (34-3/8")	42" (40-3/8")	48" (46-3/8")	54" (52-3/8")	60" (58-15/16")
BLOWER PERFORMANCE					
Blower CFM (Min. - Max.)	450 - 1,200	450 - 1,200	450 - 1,200	450 - 1,200	450 - 1,200
Sones (Min. - Max.)	3.5 - 9	3.5 - 9	3.5 - 9	3.5 - 9	3.5 - 9
ACT 590 CFM (Min. - Max.)	350 - 590	350 - 590	350 - 590	350 - 590	350 - 590
ACT 590 Sones (Min. - Max.)	3.3 - 6	3.3 - 6	3.3 - 6	3.3 - 6	3.3 - 6
ACT 390 CFM (Min. - Max.)	350 - 390	350 - 390	350 - 390	350 - 390	350 - 390
ACT 390 Sones (Min. - Max.)	3.3 - 4	3.3 - 4	3.3 - 4	3.3 - 4	3.3 - 4
FEATURES					
ACT™ Technology	Yes	Yes	Yes	Yes	Yes
Controls	Electronic Touch	Electronic Touch	Electronic Touch	Electronic Touch	Electronic Touch
Speed Levels	6*	6*	6*	6*	6*
Auto Delay-Off	Yes	Yes	Yes	Yes	Yes
CleanAir Function	Yes	Yes	Yes	Yes	Yes
Lighting	LumiLight LED, 6W x4	LumiLight LED, 6W x4	LumiLight LED, 6W x4	LumiLight LED, 6W x4	LumiLight LED, 6W x4
Dual-Level Lighting	Yes	Yes	Yes	Yes	Yes
Filters	Pro Baffle x2	Pro Baffle x2	Pro Baffle x3	Pro Baffle x3	Pro Baffle x3
Grease Collection Tray	Yes	Yes	Yes	Yes	Yes
Wireless Remote Control	Yes	Yes	Yes	Yes	Yes
Recirculating Option	No	No	No	No	No
ADA Compliant	Yes	Yes	Yes	Yes	Yes
DUCT SPECIFICATIONS					
Vertical Internal Blower	10" Round	10" Round	10" Round	10" Round	10" Round
Horizontal Internal Blower	NA	NA	NA	NA	NA
AC POWER	120V, 60Hz at Max. 7A	120V, 60Hz at Max. 7A	120V, 60Hz at Max. 7A	120V, 60Hz at Max. 7A	120V, 60Hz at Max. 7A
OPTIONAL ACCESSORIES					
Make-Up Air Kit	MUA010A	MUA010A	MUA010A	MUA010A	MUA010A
MOUNTING HEIGHT RANGE**					
	26" - 36"	26" - 36"	26" - 36"	26" - 36"	26" - 36"
WARRANTY					
	3 years parts, 1 year labor	3 years parts, 1 year labor	3 years parts, 1 year labor	3 years parts, 1 year labor	3 years parts, 1 year labor

*When ACT™ is enabled the maximum speed levels will change. ACT 590 CFM = 3 speeds and ACT 390 CFM = 2 speeds.

**Mounting height refers to distance between top of a 36" tall cooking surface and bottom of hood.

ACT™ AIRFLOW CONTROL TECHNOLOGY™ (ACT™) is an exclusive feature built into specific Zephyr hoods which can limit the maximum blower CFM to meet local code requirements.

Specifications subject to change, check zephyronline.com for up-to-date information.
Zephyr Ventilation | 2277 Harbor Bay Parkway, Alameda, CA 94502 | 888.880.VENT

FEB23.0101

