

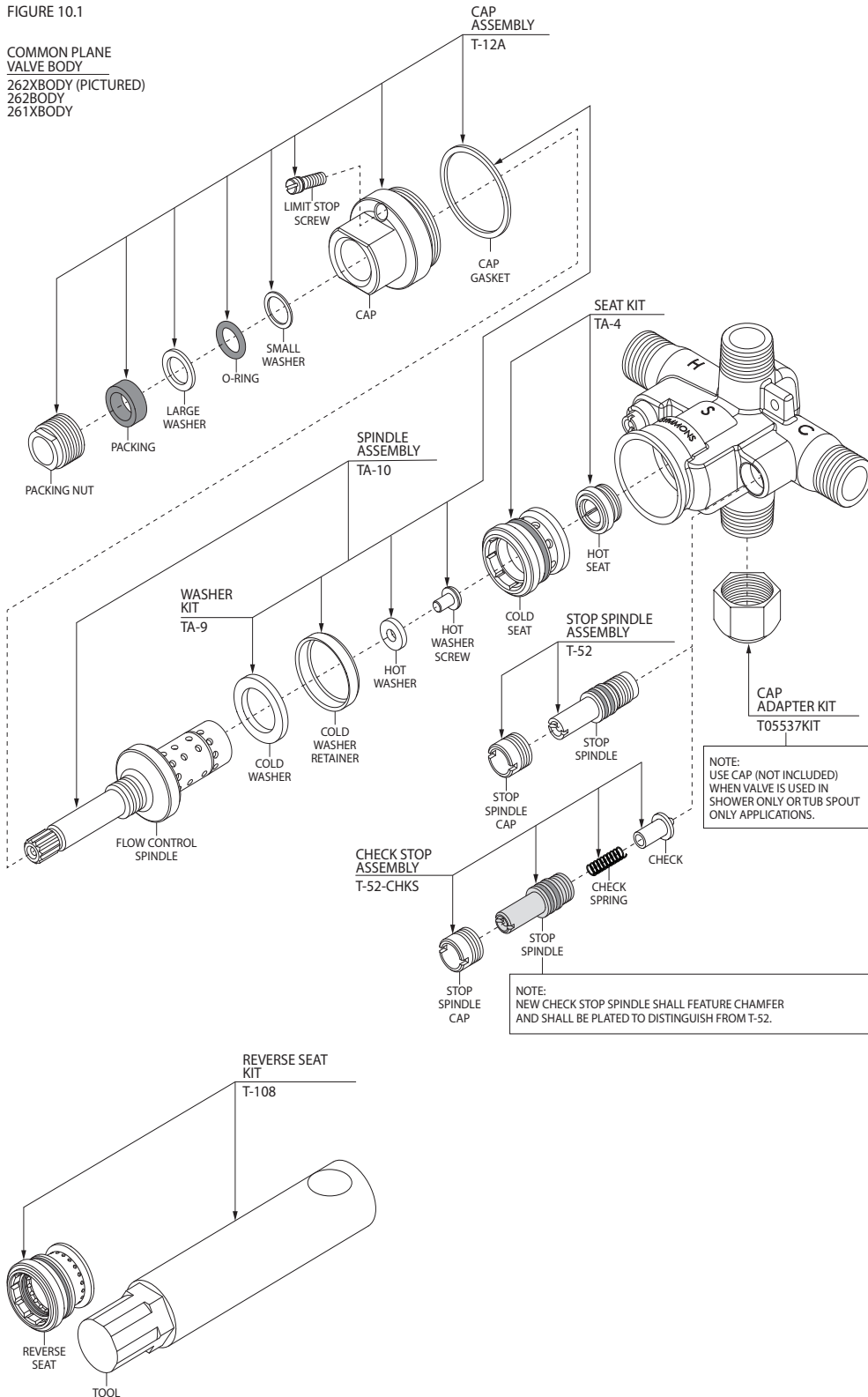


Temptrol® Genuine Replacement Parts

PARTS BREAKDOWN

FIGURE 10.1

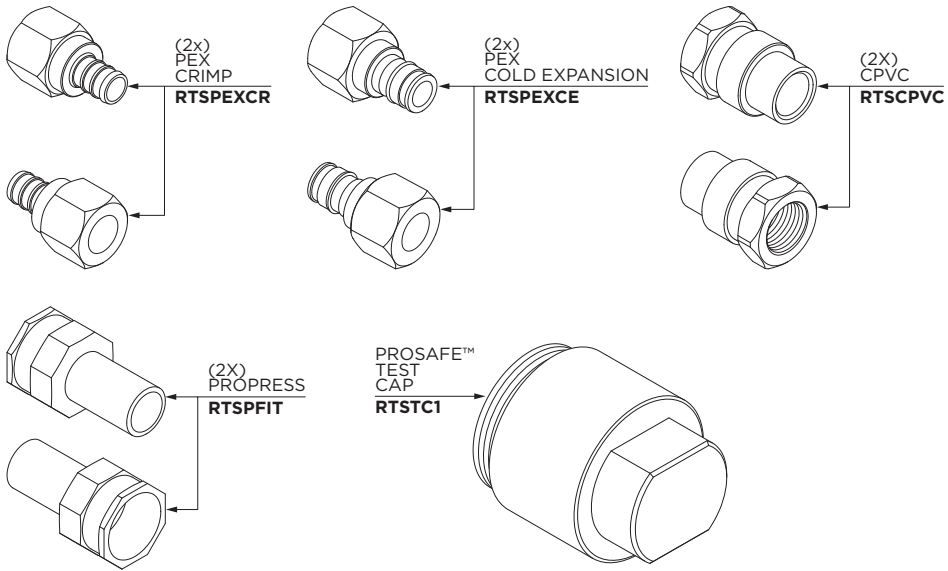
COMMON PLANE
VALVE BODY
262XBODY (PICTURED)
262BODY
261XBODY



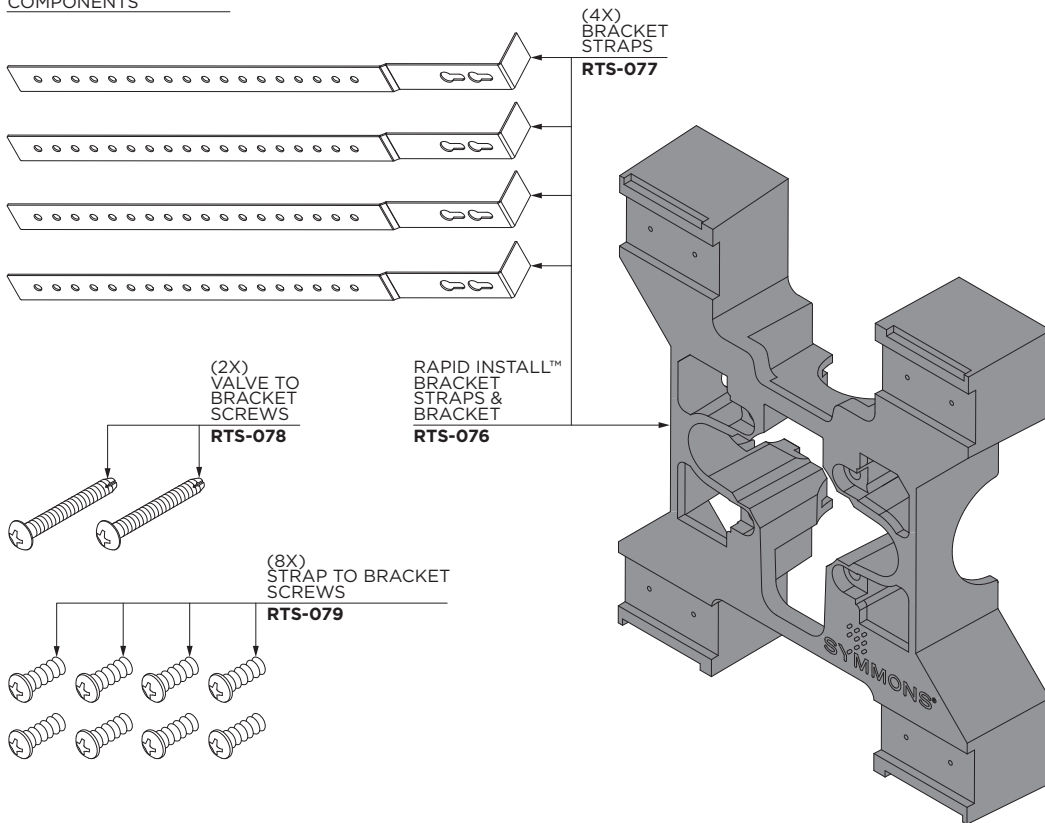
PARTS BREAKDOWN

FIGURE 10.2

VALVE BODY FITTING MODIFICATIONS



MOUNTING BRACKET COMPONENTS



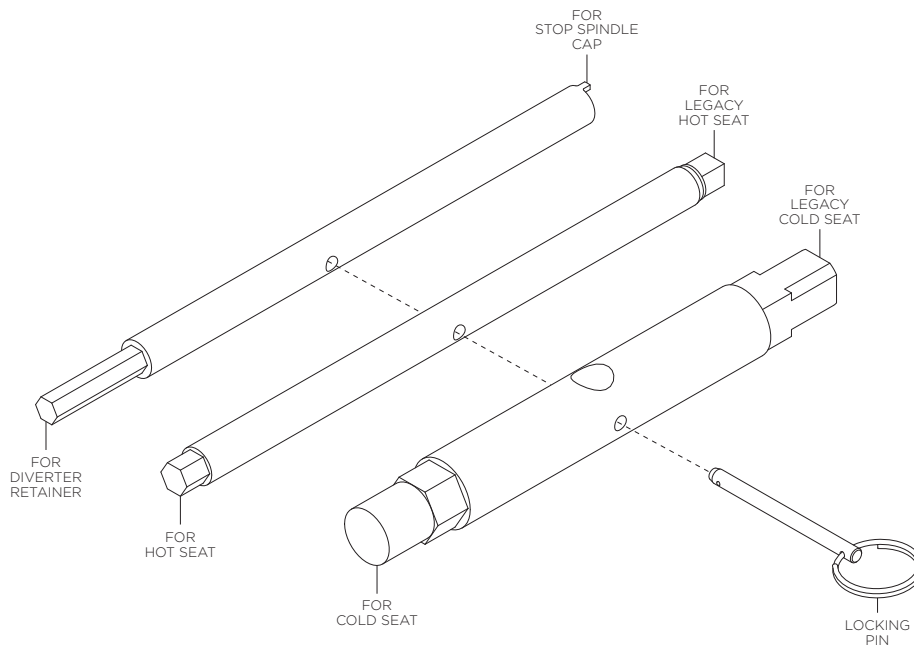


REPAIR TOOL BREAKDOWN

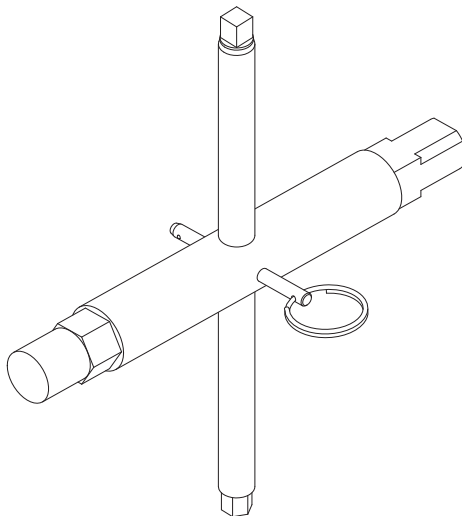
T35C REPAIR TOOL ASSEMBLY

Repair tool assembly can be used to service the following:

- Temptrol stop spindle cap (T-52-CHKS)
- Temptrol diverter retainer (RTS125)
- Temptrol cold seat (TA-4)
- Temptrol hot seat (TA-4)
- Temptrol legacy cold seat
- Temptrol legacy hot seat



Slide unused corresponding tool through center hole of desired tool and secure with locking pin.
See image below for reference.



TROUBLESHOOTING CHART

PROBLEM	CAUSE	SOLUTION
Valve will not pass water.	Both hot and cold water supplies are not turned on.	Turn on both supplies. Valve will not operate unless both hot and cold water pressure is on.
Valve leaks when shut off.	Hot and cold washers are worn or foreign matter (dirt, chips) is lodged between washers and seat surfaces.	Replace washers using TA-9 washer repair kit. Replace hot & cold seats using TA-4 hot/cold seat repair kit.
Temperature control handle is turned from cold to hot (or hot back to cold) and volume from spout or head is not constant.	Pressure-balancing piston housed in spindle assembly is restricted from free movement by foreign matter.	Open valve halfway, remove handle and tap spindle with plastic hammer. Check water pressure balancing piston in control spindle. See service instructions. Replace TA-10 flow control spindle.
Valve delivers sufficient quantity of cold, but little hot, or the reverse.	Same as above.	Same as above.
Temperature varies without moving handle.	Same as above.	Same as above.
Valve delivery temperature reduces gradually during use; handle must be turned to hotter positions to maintain constant temperature.	Overdraw on hot water supply (i.e. running out of hot water).	Reduce maximum flow by using volume control adjustment on valve or showerhead. This will allow longer period of use before overdrawing hot water supply.
Valve delivers hot water when initially opened. Water turns colder as handle is rotated in a counterclockwise direction toward the hot position.	Valve is piped incorrectly (i.e. the hot supply is piped to the valve's cold inlet and the cold supply is piped to the hot inlet.)	If piping is accessible, correct connections to the valve. If piping is not accessible, order T-108 reverse seat and tool kit. Older installations may also require replacing the TA-4 hot/cold seat repair kit.

⚠ WARNING: This product can expose you to chemicals including lead, which is known to the state of California to cause cancer, birth defects, or other reproductive harm. For more information, go to www.P65Warnings.ca.gov.