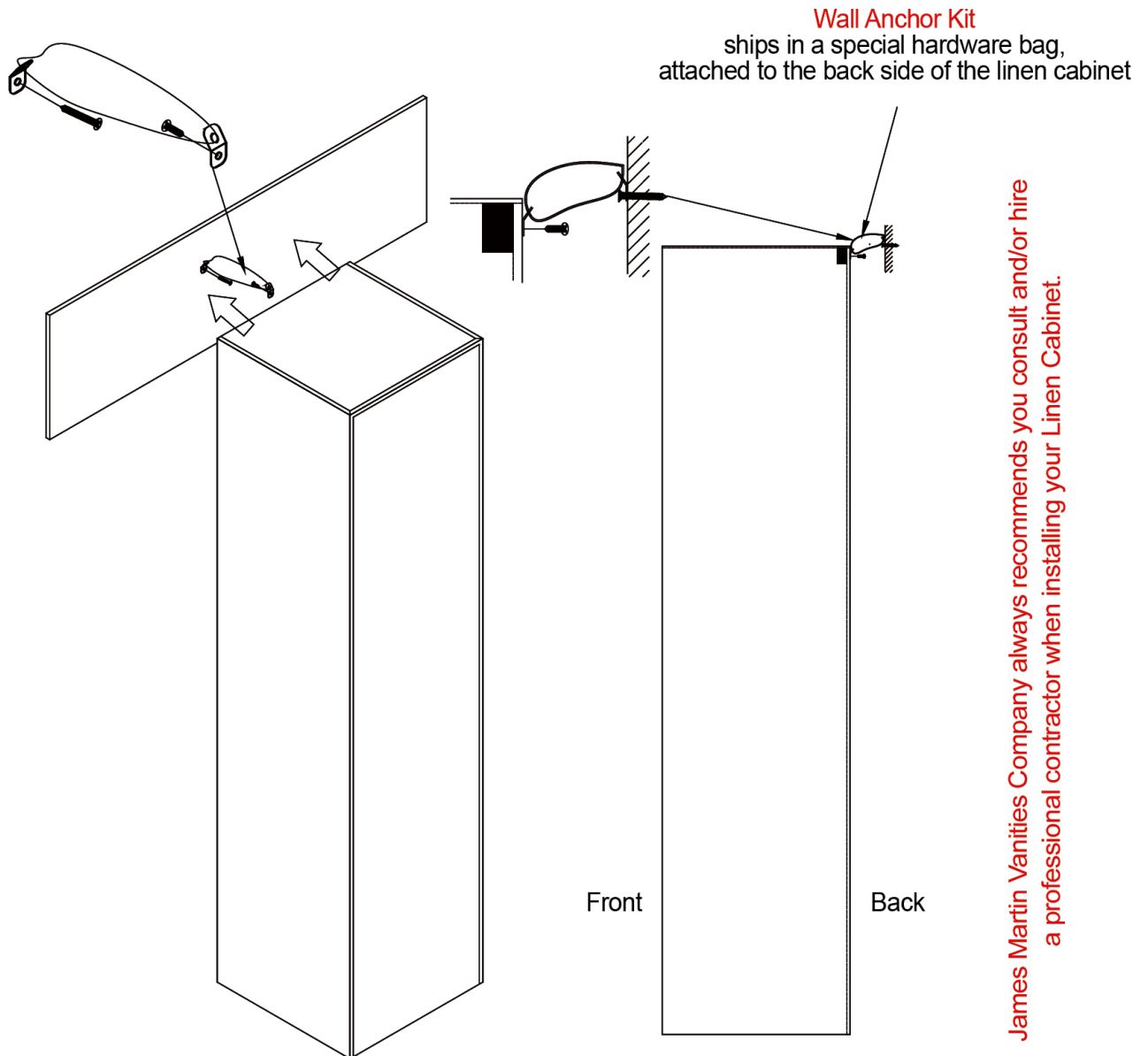




Wall Anchor Instructions



IMPORTANT NOTE:

To prevent furniture of tip-over accidents; do not use this linen cabinet until it has been secured to the wall with a Wall Anchor Hardware Kit. This hardware is located in a special hardware bag, attached to the back side of the Linen Cabinet.

If you are unable to locate this hardware, please contact your James Martin supplier, so we may send you a replacement set.