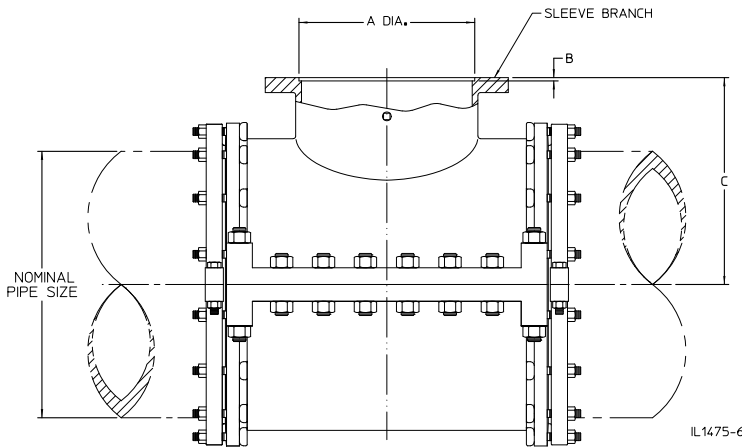
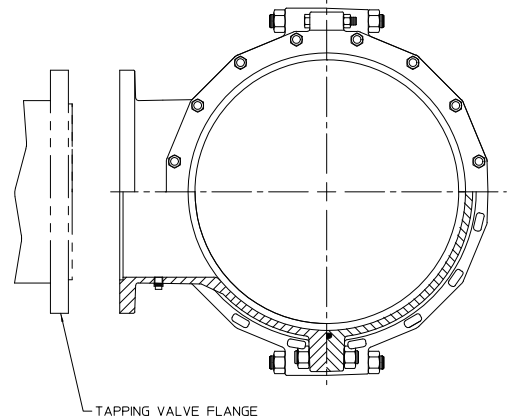
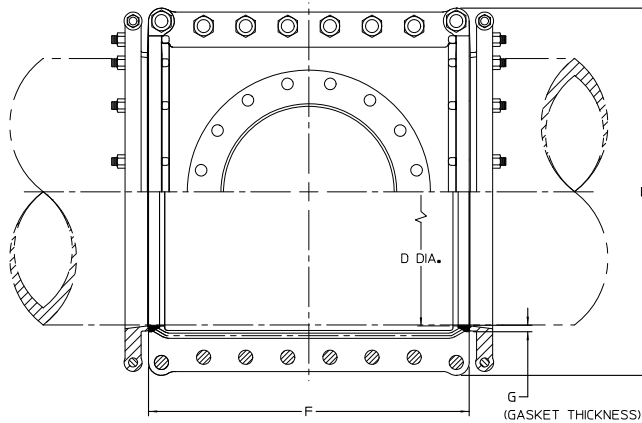


# AMERICAN Flow Control Submittal Information

## 4" - 12" SERIES 2800-A TAPPING SLEEVE



IL1475-6

Sleeve Size (Pipe x Branch)	4x4	6x4	6X6	8X4	8X6	8X8	10X4	10X6	10x8	10x10	12x4	12x6	12x8	12x10	12x12
A	5.016	5.016	7.016	5.016	7.016	9.016	5.016	7.016	9.016	11.016	5.016	7.016	9.016	11.016	13.016
B	.25	.25	.31	.25	.31	.31	.25	.31	.31	.31	.25	.31	.31	.31	.31
C	6.63	7.88	8.00	9.13	9.25	9.25	10.63	10.88	11.13	11.13	11.75	12.00	12.31	12.38	13.25
D	5.59	7.63	7.63	9.81	9.81	9.81	12.13	12.13	12.13	12.13	14.53	14.53	14.53	14.53	14.53
E	9.88	12.13	12.13	14.25	14.25	14.25	17.00	17.00	17.00	17.00	19.25	19.25	19.25	19.25	19.25
F	10.88	13.50	13.50	15.00	15.00	15.00	16.88	16.88	16.88	16.88	19.50	19.50	19.50	19.50	19.50

G (Gasket Thickness) two duck tip (3/4" thick) and two plain tip (5/8" thick)  
 MJ end gaskets are supplied with each sleeve. See table on next page for the  
 range of pipe sizes each type will fit.

**NOTES:**

1. 200 psig rated working pressure.
2. Flange pilot dimensions (A & B) are in accordance with MSS SP-60.



**AMERICAN**  
 FLOW CONTROL

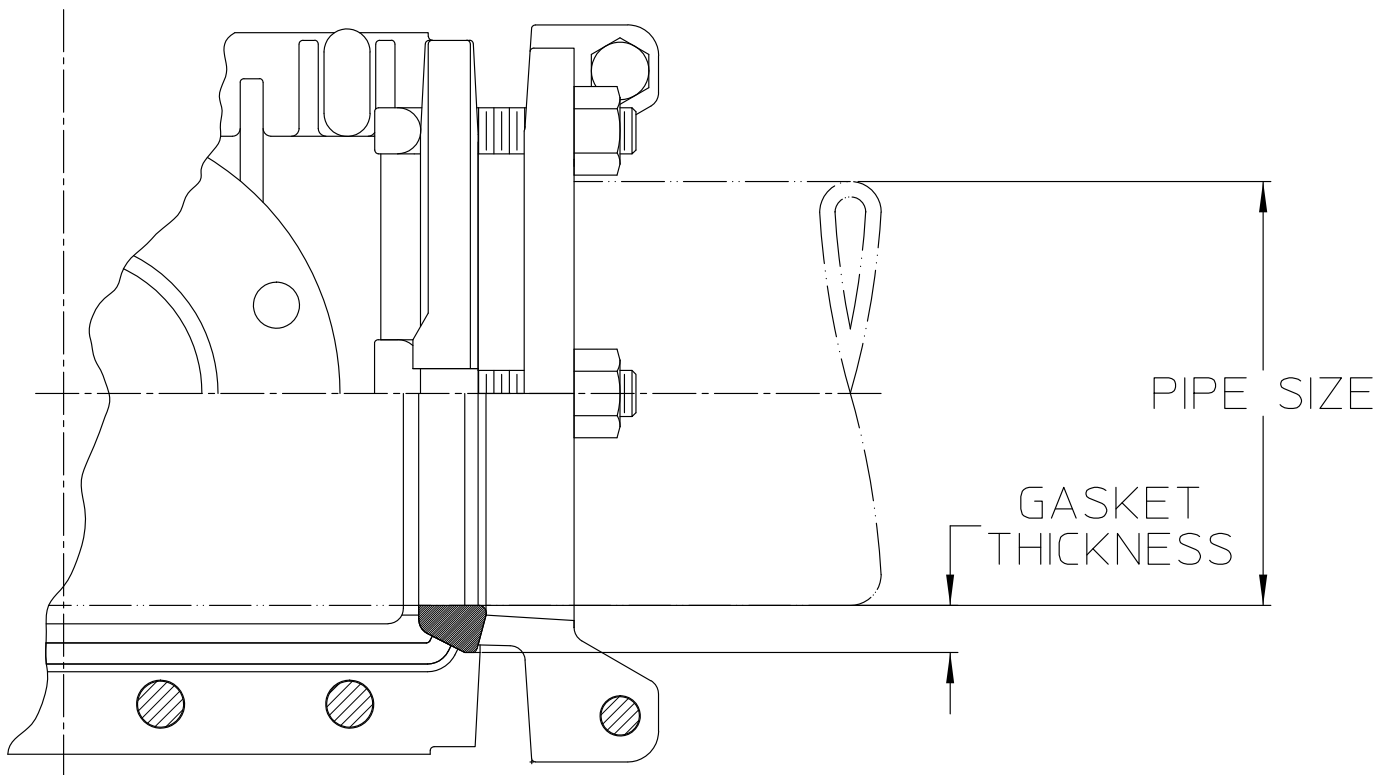
**THE RIGHT WAY**

AMERICAN Flow Control  
 P.O. Box 2727  
 Birmingham, Al. 35202-2727  
 Phone: 800-326-8051  
 Fax: 800-610-3569  
 Email: afcsales@american-usa.com

Waterous Company  
 125 Hardman Avenue South  
 South St. Paul, Mn. 55075-1191  
 Phone: 888-266-3686  
 Fax: 800-601-2809  
 Email: afcsales@american-usa.com

[WWW.AMERICAN-USA.COM](http://WWW.AMERICAN-USA.COM)

Two 3/4" thick duck tip and two 5/8" thick plain tip MJ end gaskets are supplied with each sleeve. The A-C pipe is to be measured to determine which size gasket is used in the installation.



IL1475-2

Nominal Pipe Size	3/4" Thick Duck Tip Gasket				5/8" Thick Plain Gasket			
	Diameter		Circumference		Diameter		Circumference	
	Minimum	Maximum	Minimum	Maximum	Minimum	Maximum	Minimum	Maximum
4"	4.97	5.30	15.62	16.62	5.30	5.57	16.62	17.50
6"	7.05	7.29	22.12	22.94	7.29	7.60	22.94	23.88
8"	9.22	9.54	29.00	30.00	9.54	9.77	30.00	30.62
10"	11.40	11.90	35.81	37.38	11.90	12.10	37.38	38.06
12"	13.90	14.25	43.69	44.75	14.25	14.50	44.75	45.56



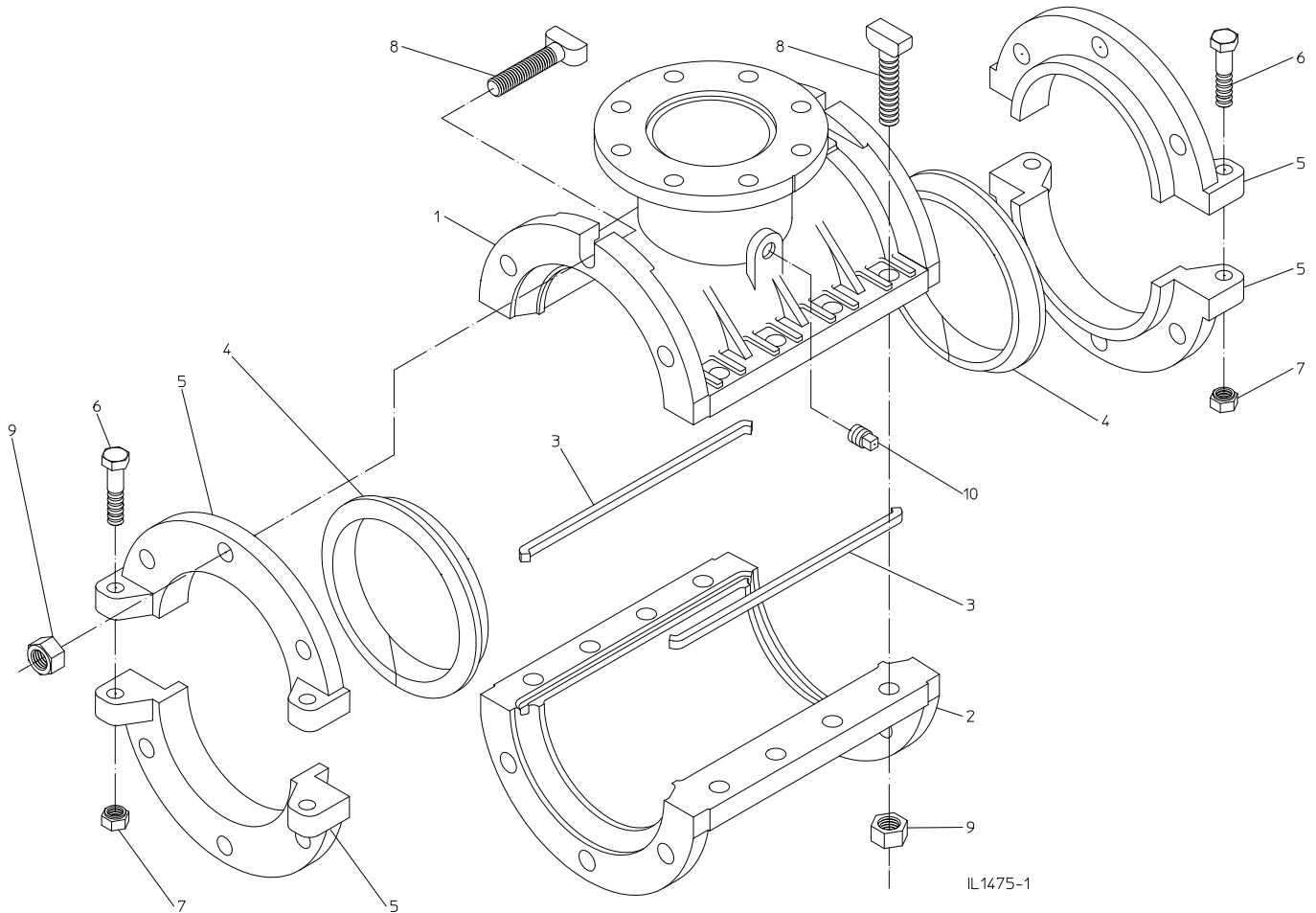
**AMERICAN**  
FLOW CONTROL

**THE RIGHT WAY**

AMERICAN Flow Control  
P.O. Box 2727  
Birmingham, Al. 35202-2727  
Phone: 800-326-8051  
Fax: 800-610-3569  
Email: afcsales@american-usa.com

Waterous Company  
125 Hardman Avenue South  
South St. Paul, Mn. 55075-1191  
Phone: 888-266-3686  
Fax: 800-601-2809  
Email: afcsales@american-usa.com

[WWW.AMERICAN-USA.COM](http://WWW.AMERICAN-USA.COM)



IL1475-1

Ref No.	Description	Material	Quantity				
			4"	6"	8"	10"	12"
1	Tapping Sleeve Front	Ductile Iron ASTM A536 Grade 65-45-12	1	1	1	1	1
2	Tapping Sleeve Back	Ductile Iron ASTM A536 Grade 65-45-12	1	1	1	1	1
3	MJ Side Gasket	Rubber	2	2	2	2	2
4	MJ End Gasket	Rubber	2	2	2	2	2
5	MJ Split Gland Half	Ductile Iron ASTM A536 Grade 65-45-12	4	4	4	4	4
6	Hex Head Bolt, 5/8" - 11	Zinc Plated Steel	4	4	-	4	-
6	Hex Head Bolt, 1/2" - 12	Zinc Plated Steel	-	-	-	-	4
6	Hex Head Bolt, 1/2" - 13	Zinc Plated Steel	-	-	4	-	-
7	Hex Nut, 5/8" - 11	Zinc Plated Steel	4	4	-	4	-
7	Hex Nut, 1/2" - 13	Zinc Plated Steel	-	-	4	-	4
8	T-Head Bolt, 3/4" - 10	Cor-Ten Steel	14	20	20	26	26
9	T-Head Nut, 3/4" - 10	Cor-Ten Steel	14	20	20	26	26
10	Square Head Pipe Plug, 1/2" NPT	Bronze	1	1	1	1	1



**AMERICAN**  
FLOW CONTROL

**THE RIGHT WAY**

AMERICAN Flow Control  
P.O. Box 2727  
Birmingham, Al. 35202-2727  
Phone: 800-326-8051  
Fax: 800-610-3569  
Email: afcsales@american-usa.com

Waterous Company  
125 Hardman Avenue South  
South St. Paul, Mn. 55075-1191  
Phone: 888-266-3686  
Fax: 800-601-2809  
Email: afcsales@american-usa.com

[WWW.AMERICAN-USA.COM](http://WWW.AMERICAN-USA.COM)