

CODE NUMBER

3324491

DESCRIPTION

Battery Power Supply, Integrated Side Mixer, Graphite Finish, 0.5 gpm, Multi-Laminar Spray, Infrared Sensor, BASYS® Battery-Powered Deck-Mounted Mid Body Faucet.

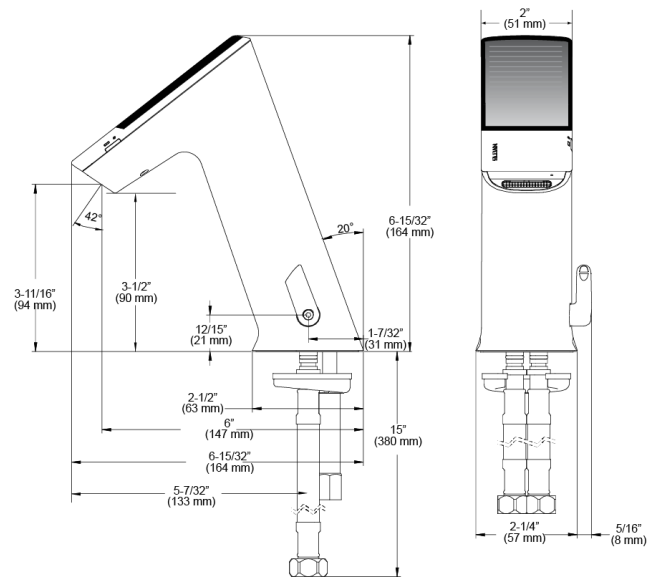
DETAILS

- Flow Rate: 0.5 gpm (2 Lpm) (0.5GPM)
- Spray Type: Multi-Laminar (MLM)
- Sensor Type: Infrared (IR)
- Mounting Type: Single Hole ()
- Power Supply: Battery (BAT)
- Temperature Mixer: Integrated Side Mixer (ISM)
- Finish: Graphite (GR)
- Factory Default Timeout: 10s
- Factory Default GPC: 0.083

FEATURES

Commercial Grade, ADA Compliant, Electronic, Sensor-Activated, Die-Cast Metal Hand Washing Faucet with the following features:

1. One tool service
2. All wetted components to be stainless steel, engineered thermoplastic, EPDM, and copper or copper alloy
3. Solenoid housed in removable carrier that includes supply strainer
4. Integral water supply shut off
5. Supply strainer serviceable from above deck
6. Vandal resistant spray insert, key housed inside faucet body
7. All electronics sealed to IP-67
8. Gold plated electrical contacts
9. Above deck individual diagnostic indicators for battery life, solenoid condition, and power up mode
10. Flexible, high pressure supply hoses, 3/8" compression connections
11. Bi-stable magnetic solenoid
12. Four (4) "AA" alkaline batteries
13. Double infrared sensors with automatic setting feature Includes all mounting hardware
14. Line purge mode, eliminates stagnant water
15. Adjustable time-outs
16. Standard Bowed Crown



COMPLIANCES & CERTIFICATIONS



(ADA Compliant, CalGreen Compliant, CEC Compliant, cUPC Low Lead Compliant, GPC 0.25 or less, NYC604.4)

RECOMMENDED SPECIFICATION

Sloan BASYS Model No. EFX-250-BAT-ISM-MB-0.5GPM-MLM-IR-FCT Infrared Sensor Activated Electronic Handwashing Faucet for pretempered or hot/cold water supplies. Product to have double infrared sensors with automatic setting feature. PVD Graphite Finish. Solenoid valve housed in removable carrier that closes water supply upon removal eliminating need to access control stops. Solenoid carrier includes strainer for easy above deck service. Thermostatic mixer ordered separately to comply with ASSE 1070 requirements. The product shall be tested and certified to industry standards: ASME A112.18.1M, CSA B125.1, California Health and Safety Code 116875

NOTES

All information contained within this document subject to

Sloan 10500 Seymour Ave, Franklin Park, IL 60131

Phone: 800.982.5839 • Fax: 800.447.8329 • sloan.com

ELECTRICAL SPECIFICATIONS

- Self-Adjustment Range: 2"-14" (51-356mm)
- Sensor Range: 4"-5" (102-127mm)

VIDEOS

- ▶ BASYS[®] Faucet Installation and Features
- ▶ BASYS[®] Faucet Installation Mid Height Model
- ▶ PVD Special Finishes
- ▶ Sloan Connect App[®]

DOWNLOADS

- [EFX 1Xx/2Xx Installation Instructions](#)
- [EFX 1Xx/2Xx Caddy Replacement Installation Instructions](#)
- [Trim Plate Guide](#)
- [IR FAQs Repair and Maintenance Guide](#)
- [EFX-2XX Repair and Maintenance Guide](#)
- [Additional Downloads](#)

ROUGH-IN

change without notice.

Looking for other variations of the EFX-250 product? [View the general spec sheet with all options.](#)

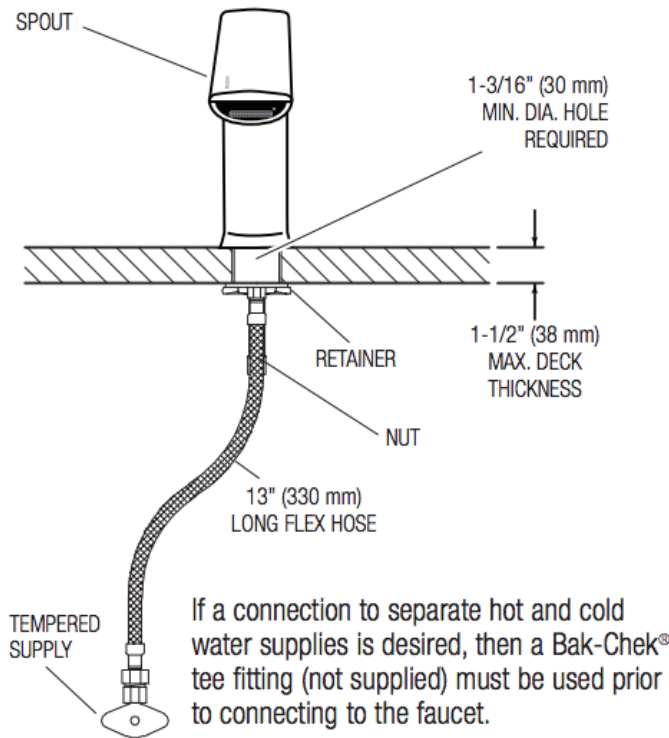
[Find a matching soap dispenser](#) for this faucet.

[Find a compatible sink](#) for this faucet.

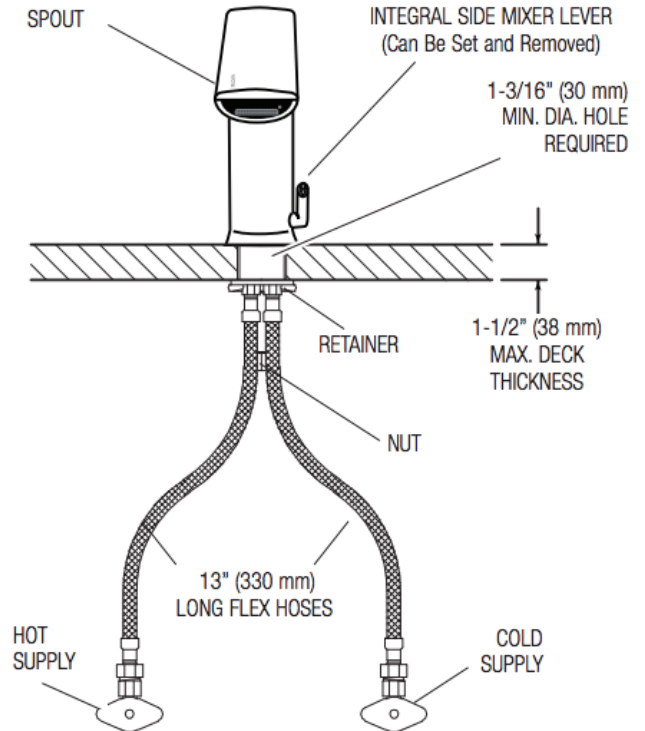
WARRANTY

3 Year

EFX-250.00X.XXXX
Faucet with Single Line Water Supply



EFX-250.50X.XXXX
Faucet with Hot and Cold Water Supply



Sloan 10500 Seymour Ave, Franklin Park, IL 60131

Phone: 800.982.5839 • Fax: 800.447.8329 • sloan.com