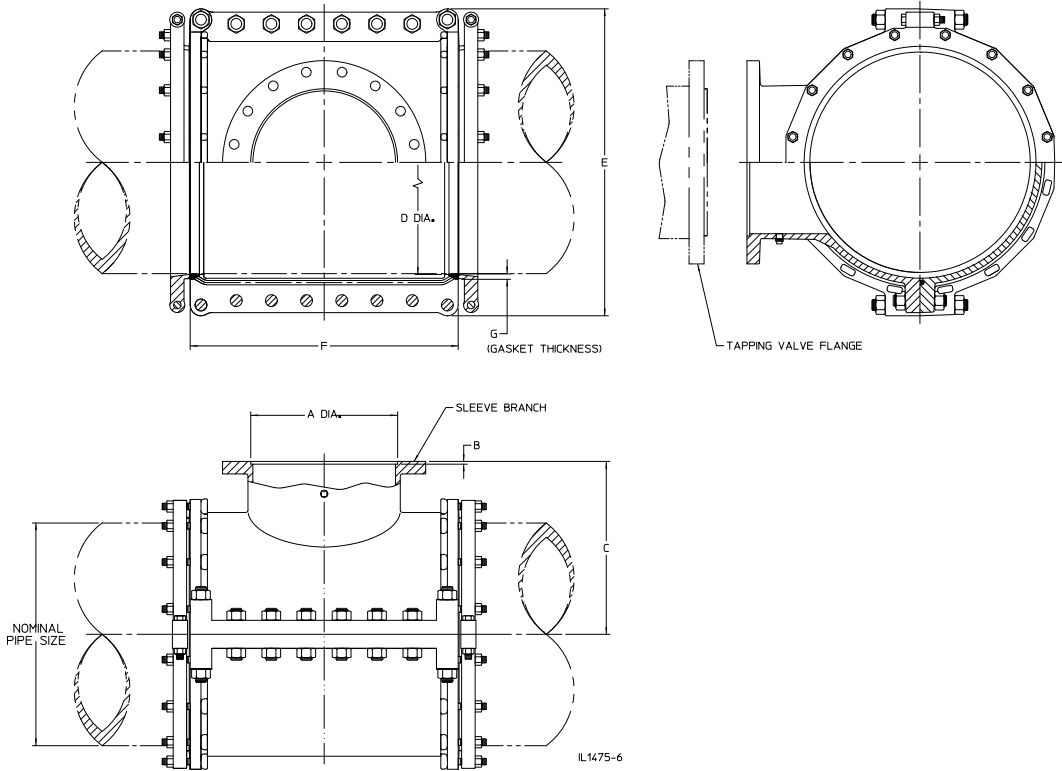


AMERICAN Flow Control Submittal Information

4" - 12" & 16" SERIES 2800-C TAPPING SLEEVE



Sleeve Size (Pipe x Branch)	4x4	6x4	6X6	8X4	8X6	8X8	10X4	10X6	10x8	10x10
A	5.016	5.016	7.016	5.016	7.016	9.016	5.016	7.016	9.016	11.016
B	.25	.25	.31	.25	.31	.31	.25	.31	.31	.31
C	6.38	7.75	7.88	9.00	9.06	9.00	10.38	10.63	10.88	10.88
D	5.13	7.22	7.22	9.44	9.44	9.44	11.53	11.53	11.34	11.53
E	9.63	11.75	11.75	13.88	13.88	13.88	16.63	16.63	16.63	16.63
F	10.88	13.50	13.50	15.00	15.00	15.00	16.75	16.75	16.75	16.75

Sleeve Size (Pipe x Branch)	12x4	12X6	12X8	12X10	12X12	16X4	16X6	16X8	16X10	16X12
A	5.016	7.016	9.016	11.016	13.016	5.016	7.016	9.016	11.016	13.016
B	.25	.31	.31	.31	.31	.25	.31	.31	.31	.31
C	11.38	11.63	11.88	11.94	12.88	13.62	14.13	14.50	14.88	14.88
D	13.63	13.63	13.63	13.63	13.63	17.97	17.97	17.97	17.97	17.97
E	18.50	18.50	18.50	18.50	18.50	23.50	23.50	23.50	23.50	23.50
F	19.50	19.50	19.50	19.50	19.50	22.50	22.50	22.50	22.50	22.50

G (Gasket Thickness) Two 3/4" thick gaskets which fit ductile iron and centrifugally cast gray iron pipe are supplied as standard. Two 5/8" thick gaskets should be used for pit cast pipe. If there is a doubt about which type of pipe the sleeve will be used with, order 5/8 thick gaskets in addition to the 3/4" thick gaskets that are furnished as standard. See table on next page for the range of pipe sizes each gasket can be used with.

NOTES:

- 250 psig rated working pressure.
- Flange pilot dimensions (A & B) are in accordance with MSS SP-60.



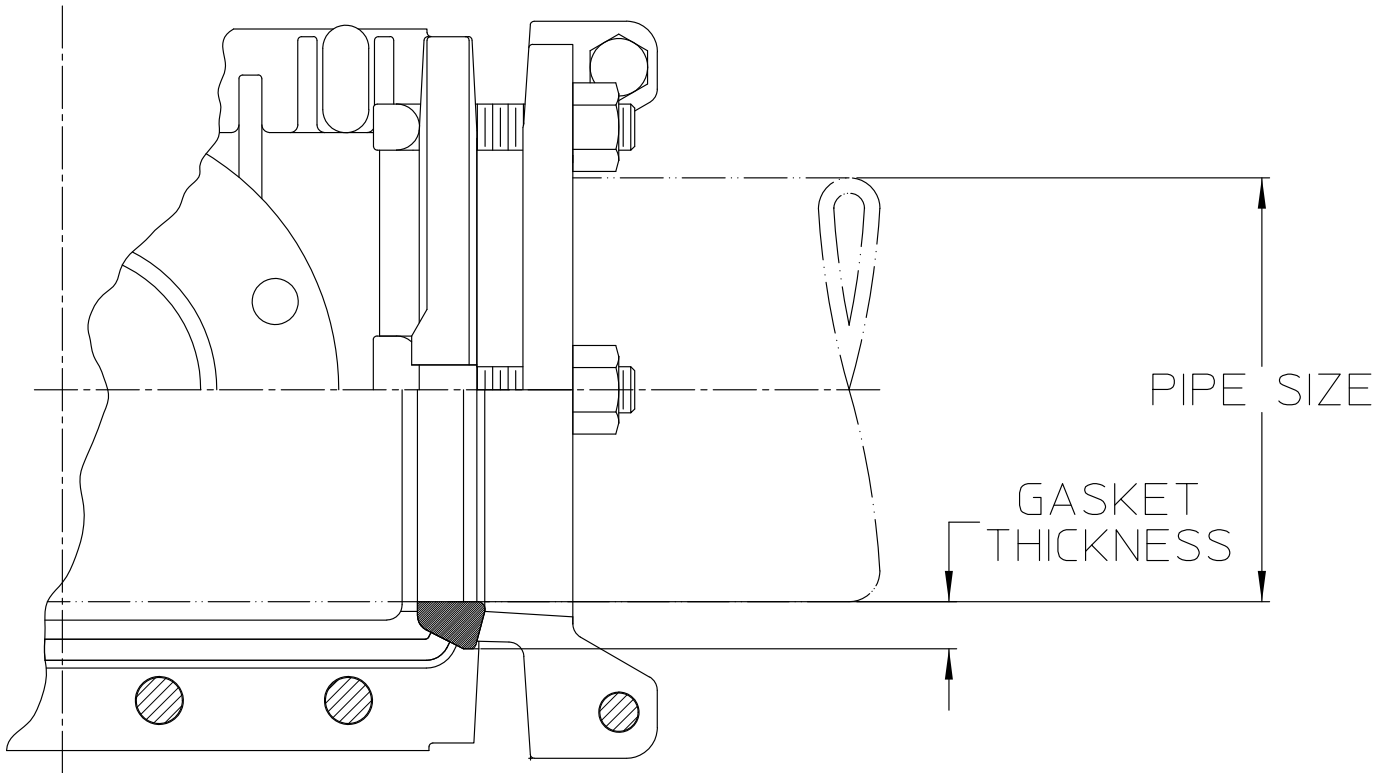
AMERICAN
FLOW CONTROL

THE RIGHT WAY

AMERICAN Flow Control
P.O. Box 2727
Birmingham, Al. 35202-2727
Phone: 800-326-8051
Fax: 800-610-3569
Email: afcsales@american-usa.com

Waterous Company
125 Hardman Avenue South
South St. Paul, Mn. 55075-1191
Phone: 888-266-3686
Fax: 800-601-2809
Email: afcsales@american-usa.com

WWW.AMERICAN-USA.COM



IL1475-2

Nominal Pipe Size	3/4" Thick Gasket				5/8" Thick Gasket			
	Diameter		Circumference		Diameter		Circumference	
	Minimum	Maximum	Minimum	Maximum	Minimum	Maximum	Minimum	Maximum
4"	4.74	4.86	14.88	15.25	4.86	5.06	15.25	15.88
6"	6.84	6.96	21.50	21.88	6.96	7.16	21.88	22.50
8"	8.99	9.11	28.25	28.62	9.11	9.37	28.62	29.44
10"	11.04	11.16	34.69	35.06	11.16	11.44	35.06	35.31
12"	13.14	13.26	41.31	41.69	13.26	13.53	41.69	42.50
16"	17.34	17.46	54.50	54.88	17.46	17.87	54.88	56.12



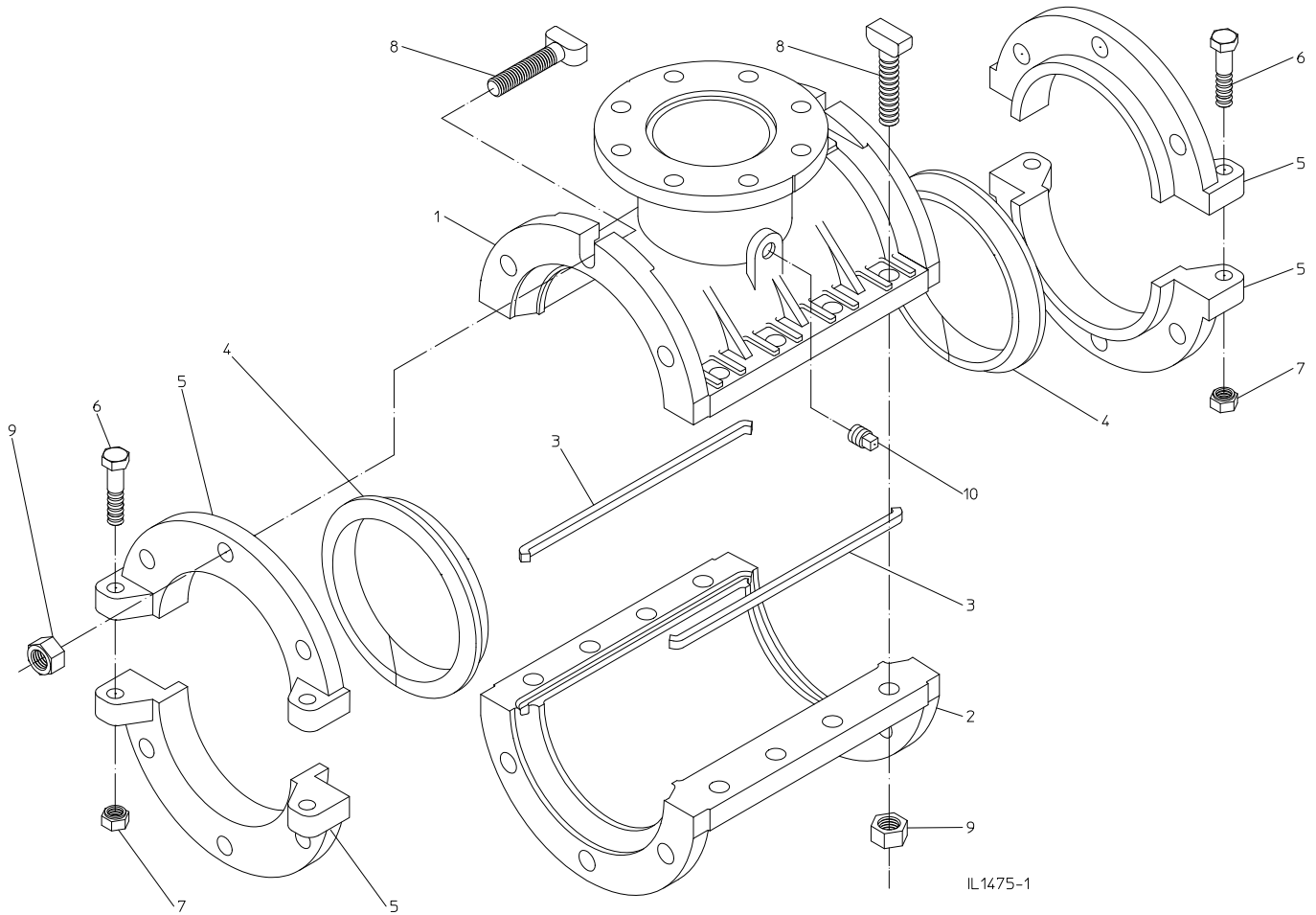
AMERICAN
FLOW CONTROL

THE RIGHT WAY

AMERICAN Flow Control
P.O. Box 2727
Birmingham, Al. 35202-2727
Phone: 800-326-8051
Fax: 800-610-3569
Email: afcsales@american-usa.com

Waterous Company
125 Hardman Avenue South
South St. Paul, Mn. 55075-1191
Phone: 888-266-3686
Fax: 800-601-2809
Email: afcsales@american-usa.com

WWW.AMERICAN-USA.COM



IL1475-1

Ref No.	Description	Material	Quantity					
			4"	6"	8"	10"	12"	16"
1	Tapping Sleeve Front	Ductile Iron ASTM A536 Grade 65-45-12	1	1	1	1	1	1
2	Tapping Sleeve Back	Ductile Iron ASTM A536 Grade 65-45-12	1	1	1	1	1	1
3	MJ Side Gasket	Rubber	2	2	2	2	2	2
4	MJ End Gasket	Rubber	2	2	2	2	2	2
5	MJ Split Gland Half	Ductile Iron ASTM A536 Grade 65-45-12	4	4	4	4	4	4
6	Hex Head Bolt, 5/8" - 11	Zinc Plated Steel	4	4	-	4	-	4
6	Hex Head Bolt, 1/2" - 12	Zinc Plated Steel	-	-	-	-	4	-
6	Hex Head Bolt, 1/2" - 13	Zinc Plated Steel	-	-	4	-	-	-
7	Hex Nut, 5/8" - 11	Zinc Plated Steel	4	4	-	4	-	4
7	Hex Nut, 1/2" - 13	Zinc Plated Steel	-	-	4	-	4	-
8	T-Head Bolt, 3/4" - 10	Cor-Ten Steel	14	20	20	26	26	38
9	T-Head Nut, 3/4" - 10	Cor-Ten Steel	14	20	20	26	26	38
10	Square Head Pipe Plug, 1/2" NPT	Bronze	1	1	1	1	1	1



AMERICAN
FLOW CONTROL

THE RIGHT WAY

AMERICAN Flow Control
P.O. Box 2727
Birmingham, Al. 35202-2727
Phone: 800-326-8051
Fax: 800-610-3569
Email: afcsales@american-usa.com

Waterous Company
125 Hardman Avenue South
South St. Paul, Mn. 55075-1191
Phone: 888-266-3686
Fax: 800-601-2809
Email: afcsales@american-usa.com

WWW.AMERICAN-USA.COM