



Crestt Series Features - Soap and Faucet

- Refined, high arc design pairs with Verge™ faucet model S53-3100
- Matching soap and faucet designs that integrate seamlessly with Bradley lavatories**
- Chrome-plated cast brass construction with optional in-stock PVD finishes*
- Sensing optimized to eliminate false activations and maximize battery life
- Vandal-resistant construction includes concealed sensor package, durable PVD finish options, and anti-rotational gasket/washer
- Patents Pending

Soap Key Features

- Foam or liquid soap options
- Top-fill individual and multi-feed tank options
- Utilizes universal bulk soap
- Vandal-resistant construction
- Multi-station system supplies up to 6 soap dispensers
- Smart Sense System – Elegant translucent ring at the base of each dispenser gives a glowing indication of low battery, low soap, and overflow conditions
- Audible warning to stop filling before overflow occurs
- Spout reach designed to optimize handwashing space
- Touch-free infrared sensor-operated
- Power supply options to meet your application – battery pack or single AC plug-in adapter or AC adapter splitter assembly that accommodates up to 4 devices
- Cast brass spout construction with durable, environmentally-friendly finish*

Specification

Refined, high arc design pairs with faucet model S53-3100 and integrates seamlessly with Bradley lavatories**. The dispenser is available with an individual or multi-feed top-fill tank that is compatible with bulk foam or liquid soap. The multi-feed station system supplies soap to up to 6 soap dispensers. Activation through a touch-free infrared sensor that pairs seamlessly with Bradley’s faucet dual sensor technology to eliminate false activations and maximize battery life. Dispenser shall feature chrome-plated cast brass construction with optional in-stock PVD finish. Vandal-resistant construction includes concealed sensor package, durable PVD finish options, and anti-rotational gasket/washer.

Overall Spout Dimensions

- Height: 5½" (140 mm)
- Width: 2" (51 mm)
- Depth: 5½" (140 mm)

Verify all rough-in dimensions prior to installation. Consult local and national codes. Conformity and compliance to local and national codes is the responsibility of the installer.



Capacity




- Individual tank: 70.5 oz (2080 ml) w/ 2850 estimated activations per tank
- Multi-feed tank: 166.5 oz (5026 ml) w/ 6930 estimated activations per tank
- Multi-feed can support up to 6 soap dispensers

Finishes

-  Polished Chrome
-  Brushed Black Stainless*
-  Brushed Stainless*
-  Brushed Bronze*
-  Brushed Brass*
-  Brushed Nickel*

* PVD Finish, see PVD Finish section on Page 2.

Product Compliance

-  ADA / ICC ANSI A117.1, Citation 309.4
-  UL electrical components
-  CE electrical components

Compatible Bradley Products

- [Verge Faucet – Crestt Series](#)
- [Verge Lavatory Systems**](#)
- [ELX Lavatory Systems**](#)
- [LD-3010 Lavatory Systems**](#)
- [Multi-Feed Soap Tank Assembly](#)



Operation

Place hands under soap spout and hold for approximately 1.75 seconds. Spout will dispense liquid or foam soap depending on option selected.

- Allows 3 activations per 7.5 seconds.
- Liquid: 0.65 ml to 0.80 ml per activation
- Foam: 0.75 ml (liquid state) to 1.35 ml (foam state) per activation

Sensor Technology

Infrared sensor with 4" (102 mm) activation range[†] that pairs seamlessly with Bradley's faucet dual sensor technology to eliminate false activations and maximize battery life.

[†] A minimum of 4" (101.6 mm) clearance between the sensor and surface is needed. Refer to the Mounting instructions for additional information.

Indicator Lights

- Power ON (spout location): Flashes red for 1.2 seconds
- Power ON (multi-feed): Flashes green/red 3 times
- Soap dispense activation: Single flash green light
- Low power indication: Continuously flashing green light
- Low soap level: Flashes red when soap level is below 25% capacity
- Overflow condition: Steady red light with audible indication from buzzer lasts 2.5 seconds when fill level reaches 90% capacity

Power Source

Choose a power supply that meets your application: (Power source is not automatically included with Verge soap dispensers and must be chosen from the list below.)

- Individual battery pack[†] – each set of batteries can accommodate up to 140,000 cycles
- Individual AC power adapter option for 120V/230V for use on a single device

Ordered separately:

- AC adapter splitter assembly accommodates up to 4 devices. Use when desired to serve in combination of multiple devices (faucet, soap dispenser, and multi-feed soap tank assembly) and/or stations. (Electrical Plug Type B***)

[†] Quantity (4) D-cell batteries included with battery pack

Mounting

Verify all rough-in dimensions prior to installation. Mount dispenser in 1 $\frac{3}{8}$ " (35 mm) diameter hole in lavatory or countertop 1 $\frac{1}{2}$ " (38 mm) from edge of sink. Shank will accommodate a maximum counter thickness of 1 $\frac{1}{2}$ " (38 mm). In applications where the soap spout is not mounted over a bowl or does not allow for the minimum 4" (102 mm) clearance from the spout's sensor to the surface or bowl, a soap spout spacer is required. Contact Bradley Customer Service in the event a spacer is needed.

Product Materials

- Spout assembly: Chrome-plated cast brass w/ optional in-stock PVD finish
- Control box: ABS plastic
- Battery box: ABS plastic
- Soap tank: Polypropylene

Soap Specifications

- Non-proprietary bulk soap (select foam or liquid)
- Liquid: Viscosity range of 100-5,000 cPs
- Foam: All-purpose foam hand soaps and antibacterial foam soaps containing PCMX and/or Triclosan

* PVD Finish

Physical Vapor Deposition is an intricate, environmentally friendly finishing process that molecularly bonds the finish to the soap dispenser, creating a very hard, durable surface that will not corrode, discolor, or tarnish.

Vandal Resistance







- Concealed sensor package deters vandalism
- Durable PVD finish is scratch resistant
- Anti-rotational gasket/washer
- Tamper resistant screw

Verify all rough-in dimensions prior to installation.
Consult local and national codes. Conformity and compliance to local and national codes is the responsibility of the installer.



6-3100

Verge™ Deck-Mounted Soap Dispenser – Crestt Series

Model	
6-3100	Verge Deck-Mounted Soap Dispenser – Crestt Series
Required Selections (must select one from each category)	
Activation Type (select one)	
R	Infrared Sensor Operation
Soap Type (select one)	
F	Foam
L	Liquid
Fill System (select one)	
T	Single (Top fill at spout)
M	Multi-Feed (Shared Tank, Top-Fill Port)
Finish Type (select one)	
PC	 Polished Chrome
BB	 Brushed Black Stainless
BS	 Brushed Stainless
BZ	 Brushed Bronze
BR	 Brushed Brass
BN	 Brushed Nickel
Power Supply (select one)	
A14-029	AC Adapter - Electrical Plug Type B
A14-030	Battery Pack (includes 4x D-cell batteries)
NONE	No Power Supply Provided – must purchase A14-031 separately***

Additional Parts for Purchase (Purchased Separately)	
Feature	Part Number
*** AC Adapter Splitter Assembly accommodates up to 4 devices when desiring a combination of multiple devices (faucet, soap, & multi-feed soap tank assembly) and/or stations. (Electrical Plug Type B)	A14-031
Multi-Feed Soap Tank Assembly	6-SOAP-MFT

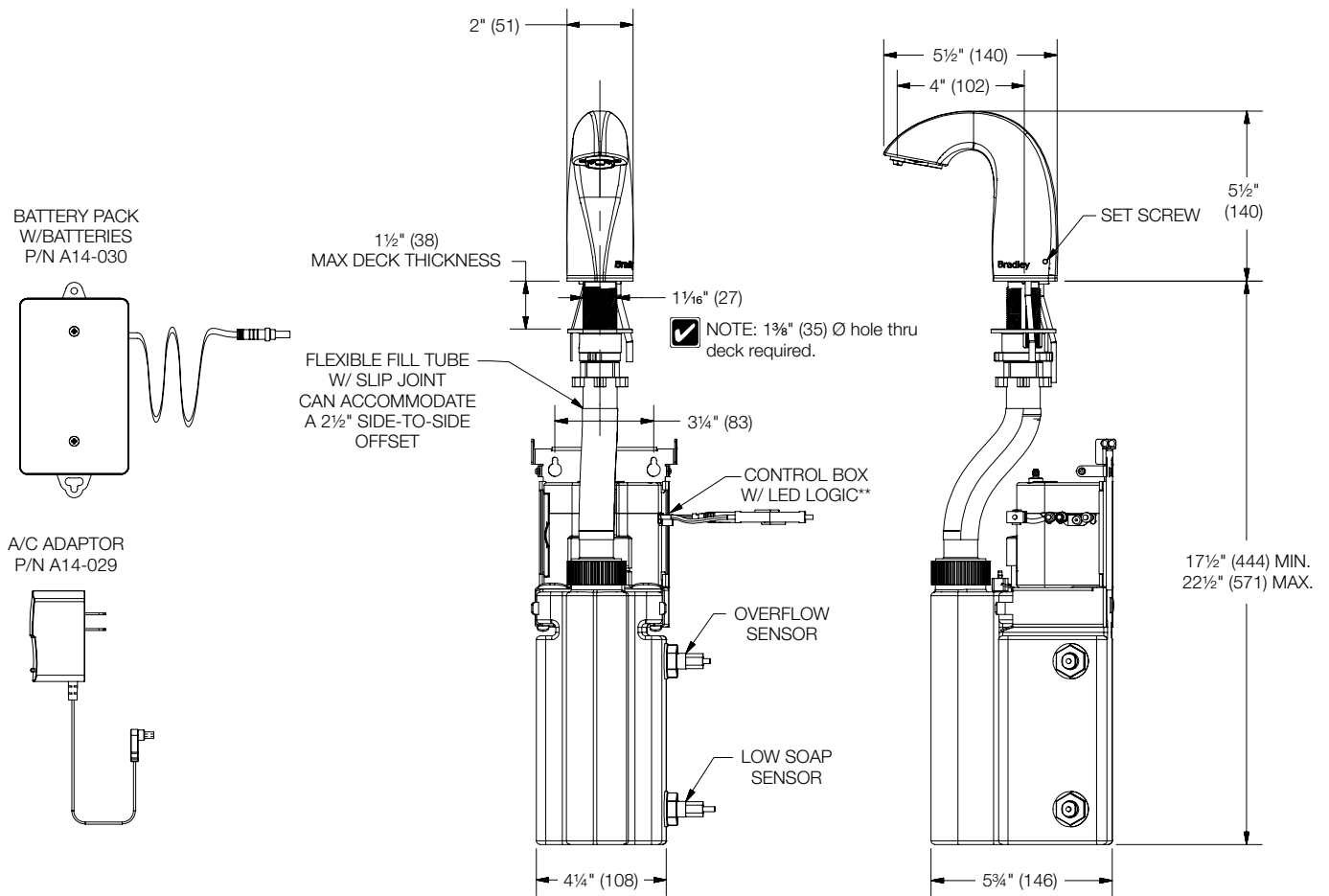
Verify all rough-in dimensions prior to installation.
Consult local and national codes. Conformity and compliance to local and national codes is the responsibility of the installer.



6-3100 Verge™ Deck-Mounted Soap Dispenser – Crestt Series

Dimensions – Single Top-Fill

(mm)



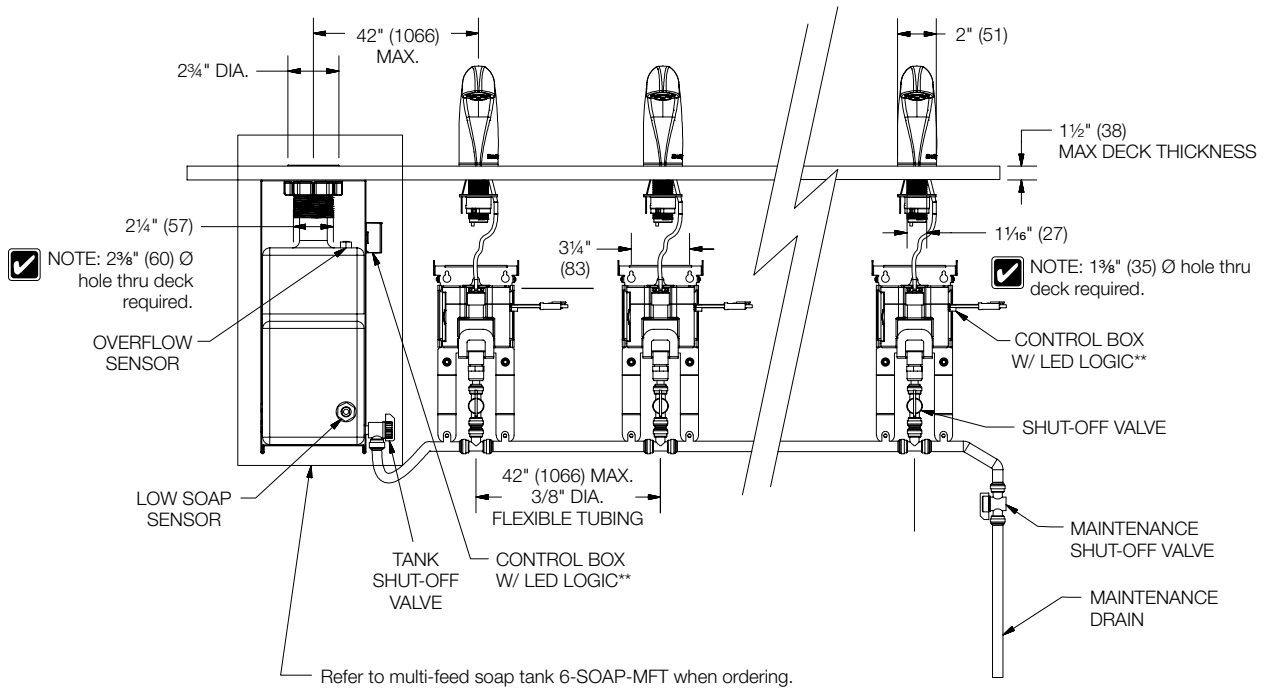
** NOTE: Battery pack or AC adaptor required.
AC power source required to be within 54" (1371) of the control box.

Verify all rough-in dimensions prior to installation.
Consult local and national codes. Conformity and compliance to local and national codes is the responsibility of the installer.

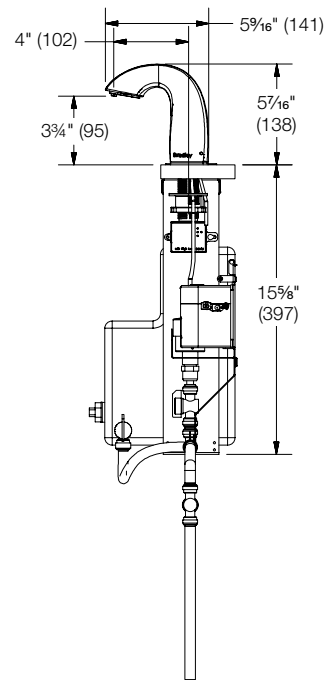


Dimensions – Multi-Feed System - End Tank

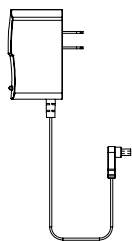
(mm)



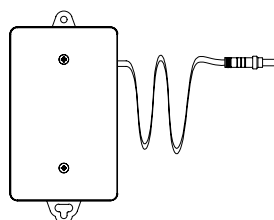
☑ ** NOTE: Battery pack or AC adaptor required.
 AC power source required to be within 54" (1371) of the control box.



A/C ADAPTOR
 P/N A14-029



BATTERY PACK
 W/BATTERIES
 P/N A14-030

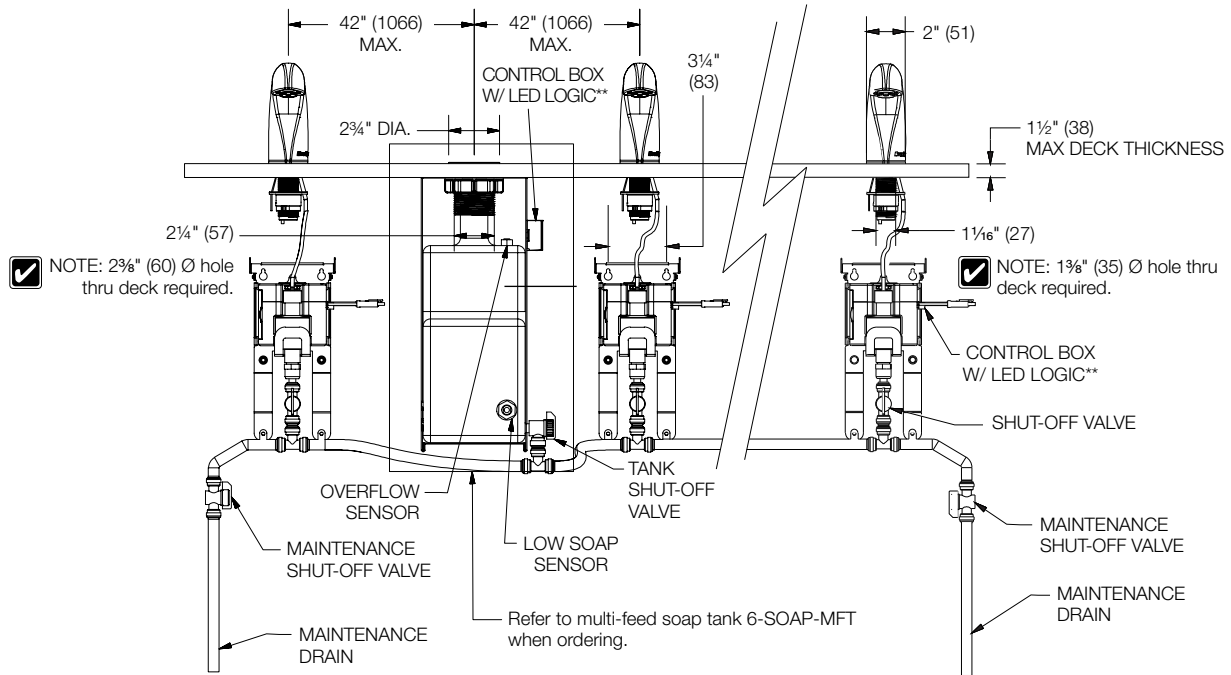


Verify all rough-in dimensions prior to installation.
 Consult local and national codes. Conformity and compliance to local and national codes is the responsibility of the installer.

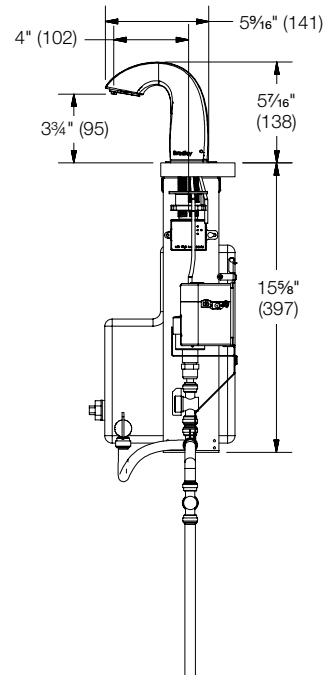


Dimensions – Multi-Feed System - Mid Tank

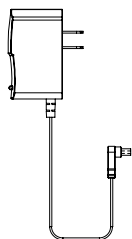
(mm)



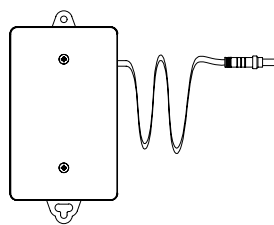
NOTE: Battery pack or AC adaptor required.
 AC power source required to be within 54" (1371) of the control box.



A/C ADAPTOR
P/N A14-029



BATTERY PACK
W/BATTERIES
P/N A14-030



Verify all rough-in dimensions prior to installation.
Consult local and national codes. Conformity and compliance to local and national codes is the responsibility of the installer.