

 PROSELECT®

FORCE™

VFO

Oil-Fired, Cast Iron Boiler

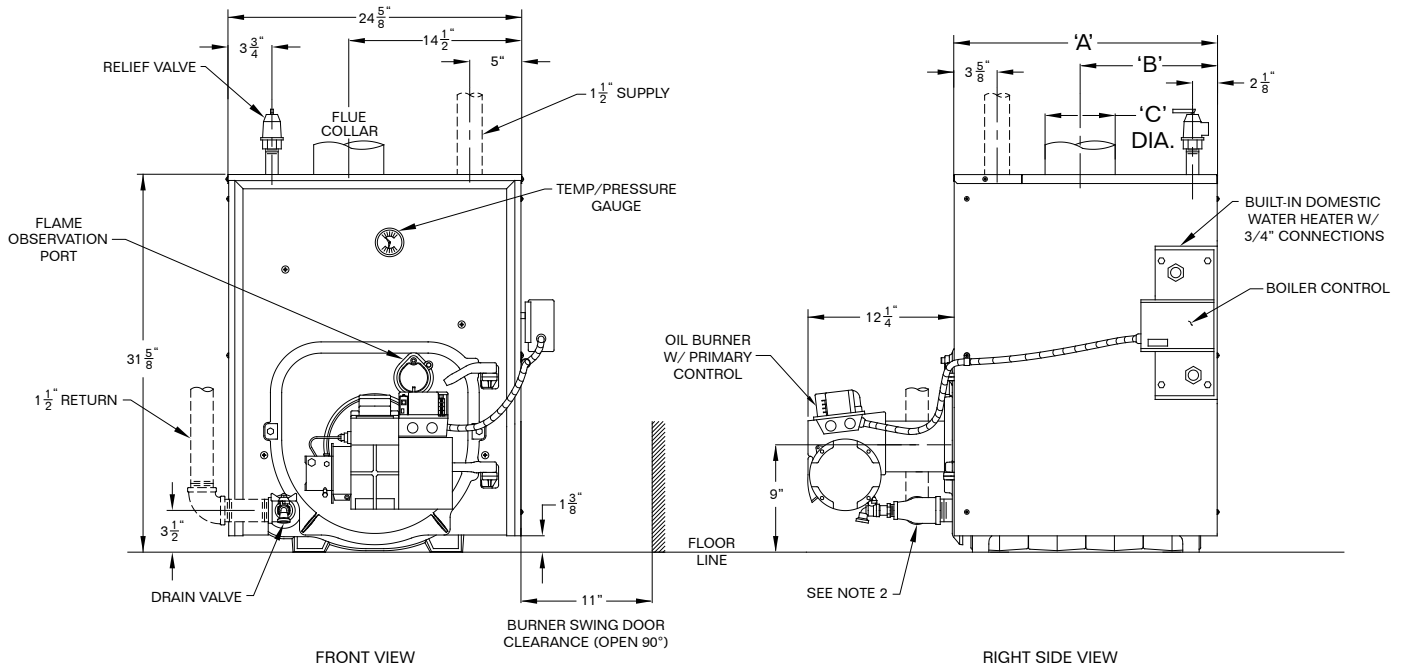
Standard Features



- Offered exclusively by Ferguson®
- ENERGY STAR® certified 87% AFUE models available
- Available with tankless water heater (DHW coil)
- Chimney vented
- Cast iron sectional heat exchanger – Assembled with reliable, long life, metal push nipples
- Swing-away cast iron burner door
- Grundfos® Alpha2™ high efficiency ECM circulator
- Beckett® AFG burner and GeniSys™ primary control
- Hydrolevel® HydroStat 3250-Plus combination high limit/circulator relay control
 - Energy-saving thermal targeting software, outdoor reset available

 **FERGUSON®**
Nobody expects more from us than we do™

Technical Information



Model*	Burner Capacity		DOE Heating Capacity (MBH) ²	Net AHRI Ratings (MBH) ³	AFUE (%)	Dimensions (Inches)			Ship Weight (lbs.)	Tankless DHW* (GPM)	ALT1*	Replacement Nozzle
	Input (GPH)	Input (MBH) ¹				A	B	Flue Collar C				
FORCEVFO-3-075	0.75	105	92	80	87.0	17 ³ / ₈	8 ¹ / ₄	5 ⁷ / ₈	560	3.00	FORCEVF03E	—
FORCEVFO-3-100	1.00	140	122	106	86.3	17 ³ / ₈	8 ¹ / ₄	5 ⁷ / ₈	560	3.25	FORCEVF03E**	0.85 x 60B
FORCEVFO-4-120	1.25	168	148	129	87.0	22 ³ / ₈	10 ⁷ / ₈	6 ⁷ / ₈	680	3.75	FORCEVF04E	—
FORCEVFO-4-150	1.50	210	182	158	86.0	22 ³ / ₈	10 ⁷ / ₈	6 ⁷ / ₈	680	4.00	FORCEVF04E**	1.25 x 60B
FORCEVFO-5-175	1.75	245	214	186	86.4	27 ³ / ₈	13 ³ / ₈	7 ⁷ / ₈	800	4.25	FORCEVF05E	—
FORCEVFO-5-190	1.90	266	231	201	86.1	27 ³ / ₈	13 ³ / ₈	7 ⁷ / ₈	800	4.75	FORCEVF05E**	1.50 x 45B

Minimum chimney requirements: 8" w x 8" d x 15' h

* Tankless coil is optional, for model numbers with tankless coil, add a "T" after "FORCEVFO" (eg: FORCEVFOT-5-190); "ALT1" column numbers for boilers featuring tankless coils, add "T" as a suffix (eg: FORCEVF03ET)

** Requires field purchase and installation of Hago or Delevan replacement nozzle

(1) MBH refers to thousands of BTU per hour

(2) Based on standard test procedure prescribed by the United States Department of Energy at combustion conditions of 13.0% CO₂

(3) Net AHRI Ratings are based on piping and pickup allowance of 1.15 for water

Additional Standard Features

- Fully packaged sectional oil boiler
- Limited lifetime warranty on heat exchanger, one year manufacturer's warranty on parts
- Tridicator temperature/pressure gauge
- ASME relief valve (30 PSI)
- Drain valve
- Fuel pump
- Electronic ignitor
- Made in U.S.A.



FERGUSON
Nobody expects more from us than we do®