

LENTZ

IN-WALL SHOWER DIVERTER TRIM - KNOB HANDLE

SKU: 951353



FEATURES

- Material: Brass
- Design: Modern
- Installation Type: Wall Mount
- Handle Type: Knob
- Ceramic Disc Cartridges: Yes
- Metal Handle
- Not Intended as a Shut Off Valve
- Six Total Settings Allow for Shared Water Flow Between Outlets, Giving You the Ability to Use Two Functions at Once
- Optional Rough-in Valve:
 - Available Single-function Diverter Valve Cartridge Restricts Water Flow to One Outlet at a Time
- Brass Valve Body
- Ceramic Cartridge
- Must be Installed in Accordance with Provided Installation Instructions

CONTENTS

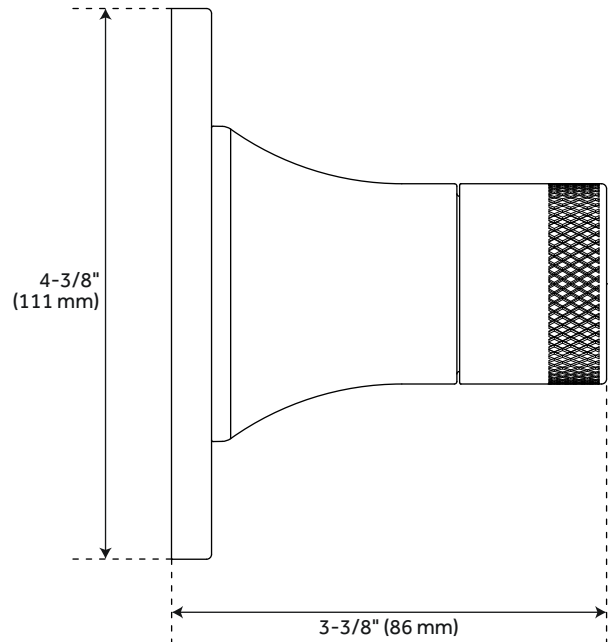
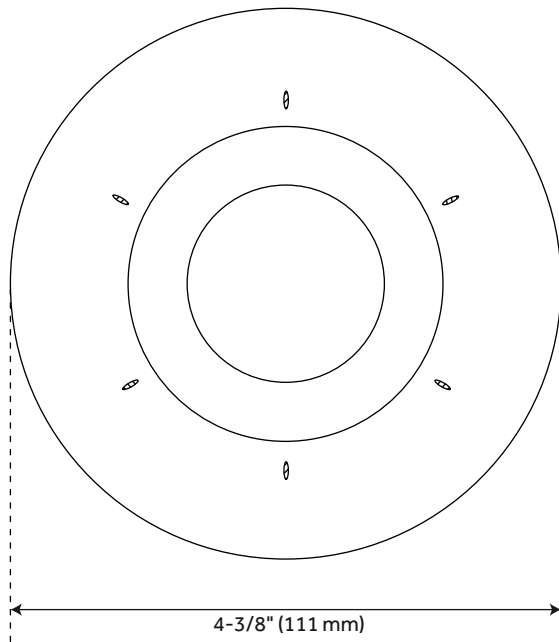
DIVERTER TRIM	PAGE 2
ROUGH-IN VALVE	PAGE 3

REVISED 03/25/2021

LENTZ

IN-WALL SHOWER DIVERTER TRIM - KNOB HANDLE

SKU: 951353



FEATURES

Length: 4-3/8"
Height: 4-3/8"
Depth: 3-3/8"

CODES/STANDARDS

cUPC
ASME A112.18.1/CSA B125.1
Massachusetts Accepted

PRODUCT IMAGE



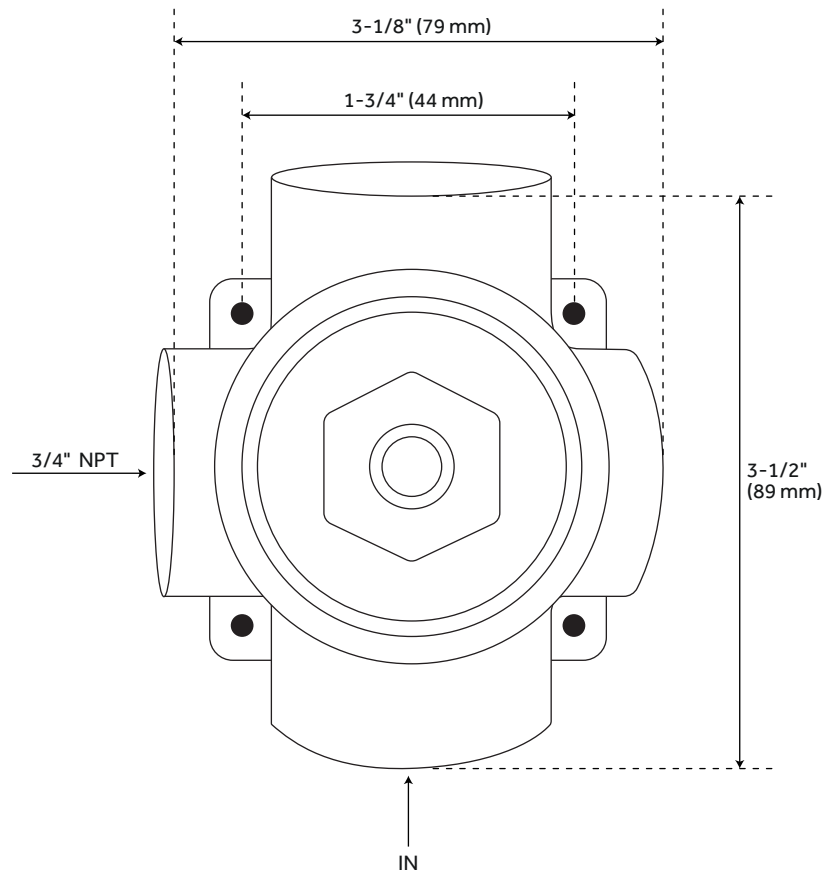
All dimensions and specifications are nominal and may vary. Use actual products for accuracy in critical situations.

PAGE 2
Code: SHLZ9005LH, SHLZTVKNOB

LENTZ

OPTIONAL ROUGH-IN VALVE FOR IN-WALL SHOWER DIVERTER TRIM

SKU: 951353



FEATURES

Material: Brass
NPT Connection: 3/4"

CODES/STANDARDS

cUPC
ASME A112.18.1/CSA B125.1
Massachusetts Accepted

PRODUCT IMAGE



All dimensions and specifications are nominal and may vary. Use actual products for accuracy in critical situations.

PAGE 3
Code: SH6103