

LENTZ

PRESSURE BALANCE SHOWER VALVE TRIM - LEVER HANDLE

SKU: 951350



FEATURES

- Material: Brass
- Design: Modern
- Installation Type: Wall Mount
- Handle Type: Lever
- Hot and Cold Indicators: Yes
- Ceramic Disc Cartridges: Yes
- Metal Handle
- Optional Rough-In Valve:
 - Pressure Balance Valve with Integral Stops
 - One-Piece Cartridge Design for Ease of Maintenance
 - Back-to-Back Capability
 - Ceramic Disc Valve Cartridge
 - Cast Bronze Valve Body
 - Adjustable Temperature Limit Stop
 - Quick Remove Plaster Guard
 - Easy Mounting Brackets

CONTENTS

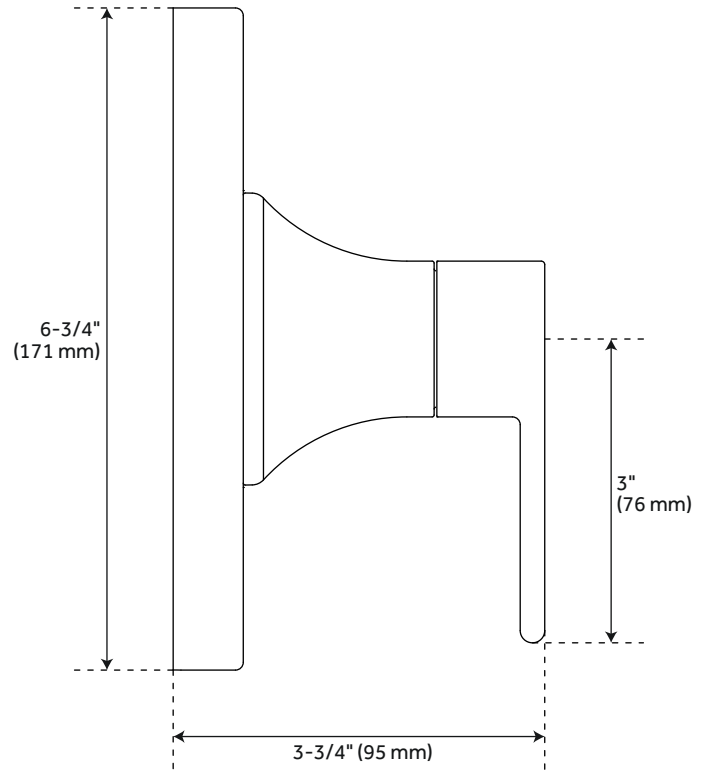
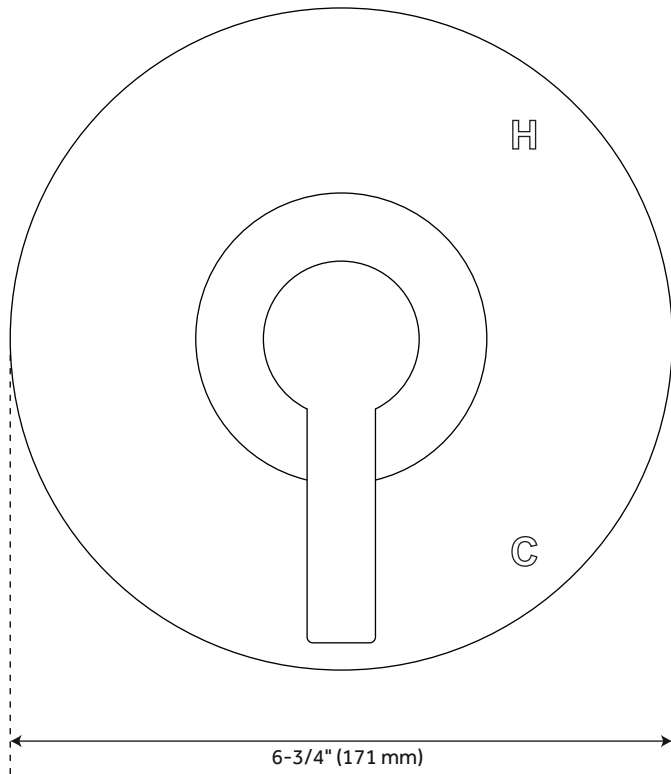
PRESSURE BALANCE TRIM	PAGE 2
ROUGH-IN VALVE	PAGE 3

REVISED 03/25/2021

LENTZ

PRESSURE BALANCE SHOWER VALVE TRIM - LEVER HANDLE

SKU: 951350



FEATURES

Length: 6-3/4"
Height: 6-3/4"
Depth: 3-3/4"
Handle Length: 3"

CODES/STANDARDS

cUPC
ASME A112.18.1/CSA B125.1
Massachusetts Accepted

PRODUCT IMAGE



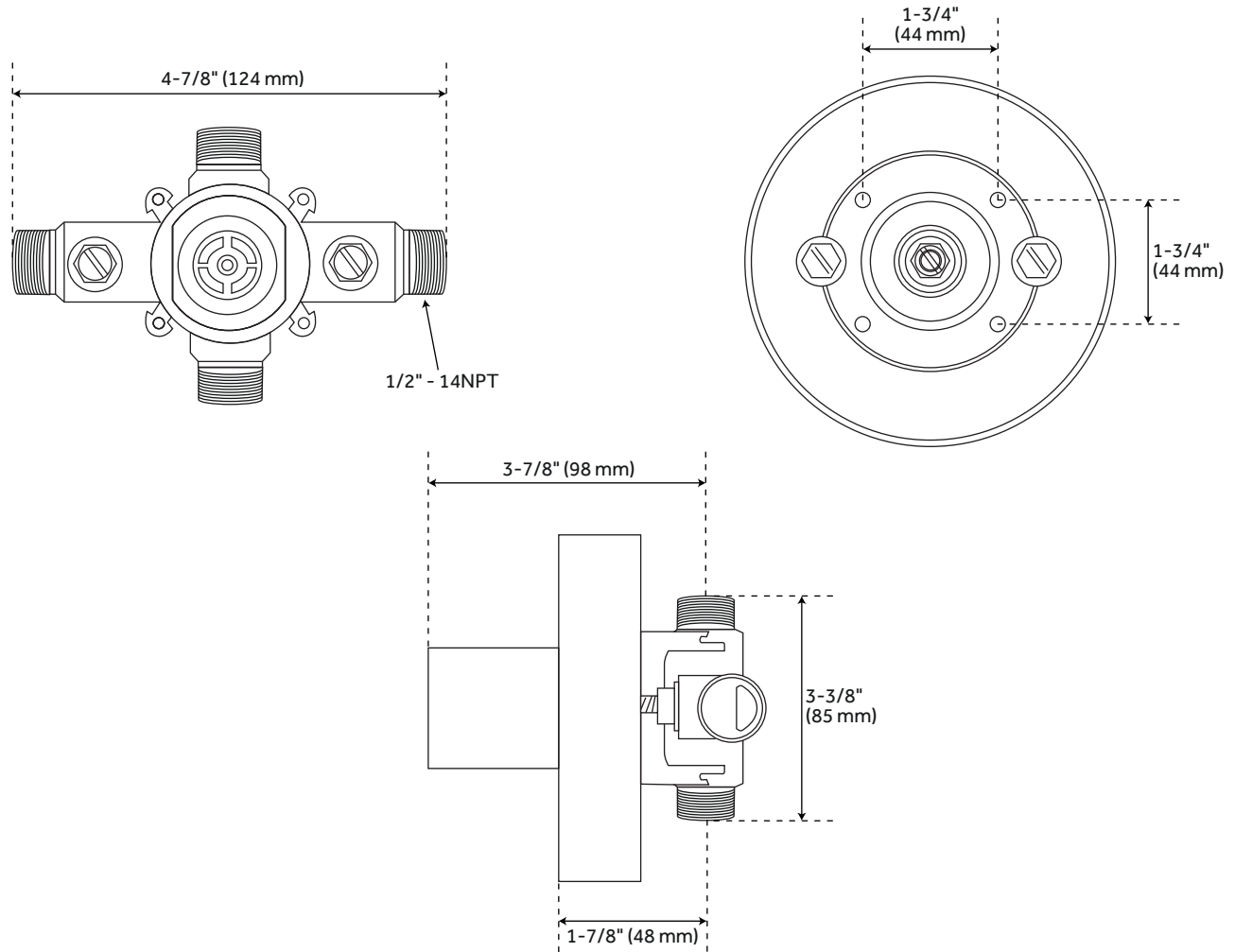
All dimensions and specifications are nominal and may vary. Use actual products for accuracy in critical situations.

PAGE 2
Code: SHLZ8010LH, SHLZPBLEV

LENTZ

OPTIONAL ROUGH-IN VALVE FOR PRESSURE BALANCE SHOWER VALVE TRIM

SKU: 951350



FEATURES

Material: Bronze
NPT Connection: 1/2"

CODES/STANDARDS

cUPC
ASME A112.18.1/CSA B125.1
ASSE 1016 Type P
Massachusetts Accepted

PRODUCT IMAGE



All dimensions and specifications are nominal and may vary. Use actual products for accuracy in critical situations.

PAGE 3
CODE: SH4001