

LENTZ

SINGLE-HOLE BATHROOM FAUCET WITH DECK PLATE

SKU: 951345



FEATURES

- Material: Brass
- Installation Type: Single-Hole, Centerset
- Design: Modern
- Handle Type: Lever
- Hot and Cold Indicators: No
- Drain Included: Yes
- Maximum Flow Rate: 1.2 gpm (4.5 L/min)
@ 60 psi
- Drain in Compatible with Sinks that have
an Overflow Hole

CONTENTS

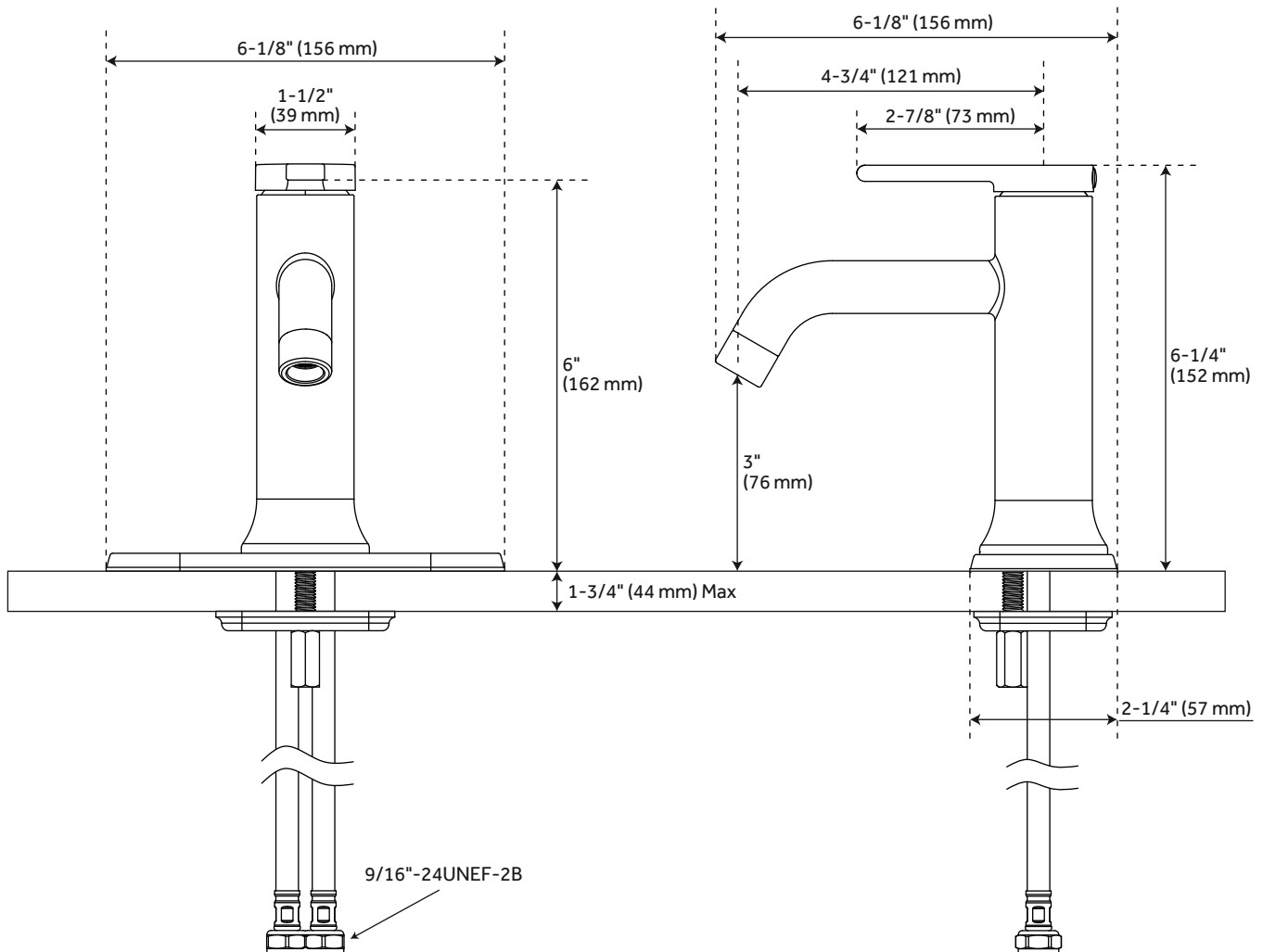
SINGLE-HOLE FAUCET PAGE 2

REVISED 03/23/2021

LENTZ

SINGLE-HOLE BATHROOM FAUCET WITH DECK PLATE

SKU: 951345



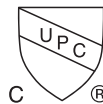
FEATURES

Max Countertop Thickness: 1-3/4"
Length: 6-1/8"
Width: 6-1/8"
Height: 6-1/4"
Height to Spout: 3"
Spout Reach: 4-3/4"
Handle Height: 6"
Handle Length: 2-7/8"
Base Plate Length: 6-1/8"
Base Plate Width: 2-1/4"
IPS: 1/2"

CODES/STANDARDS

cUPC
ASME A112.18.1/CSA B125.1
NSF/ANSI 61
NSF/ANSI 372
WaterSense
CEC Listed
Massachusetts Accepted

PRODUCT IMAGE



All dimensions and specifications are nominal and may vary. Use actual products for accuracy in critical situations.

PAGE 2
Code: SHWSCLZ100LH, SHLZ1HLLEV, SHLZ4DP