

# BRIZO®

## ACCESSORIES

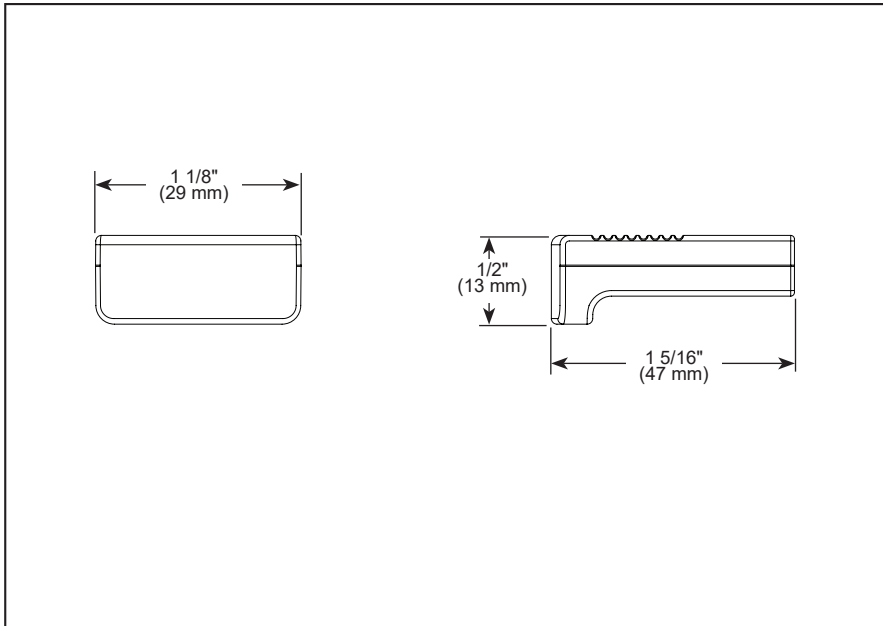
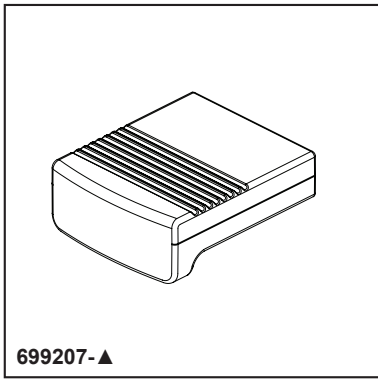
- Kintsu® Collection
- Bin Knob

### STANDARD SPECIFICATIONS:

- Mounting hardware (8-32 UNC screws) included with product
- All metal construction

### WARRANTY

- Parts and Finish – Lifetime limited warranty; or for commercial purchasers, 10 years for multi-family residential (apartments and condominiums) and 5 years for all other commercial uses, in each case from the date the product is received by the original purchaser or their authorized representative (installation contractor, etc.).
- Please go to [www.brizo.com](http://www.brizo.com) for the complete details of our limited warranty.



▲ Designate proper finish suffix