

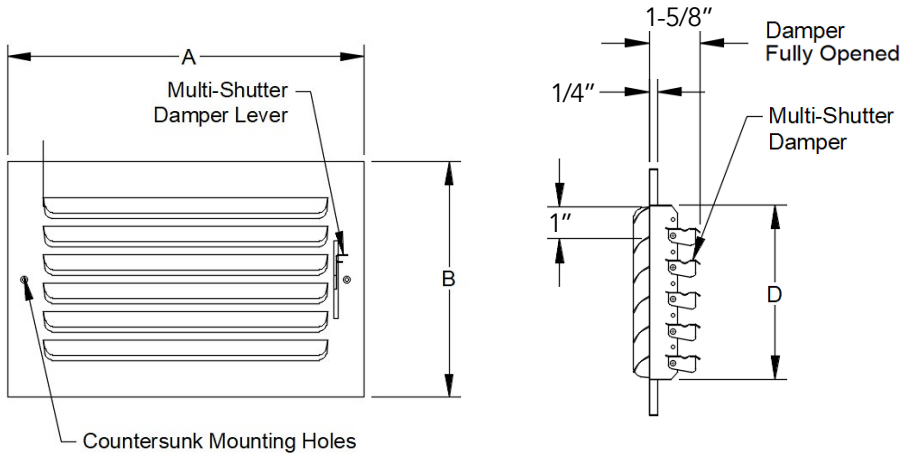
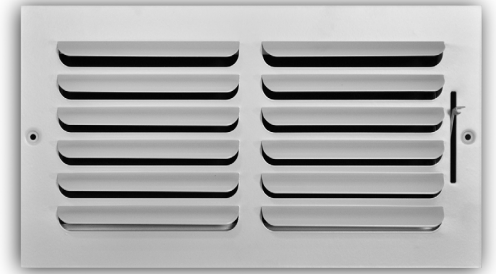
1-Way Stamped Steel Curved Blade Register

Product Specifications

100 SERIES

Product Features

- 1-Way air pattern
- Stamped curved blades
- Both ceiling and sidewall applications
- Integral multi-shutter damper
- Metal lever



Specifications

SKU	Color	Size		Overall Outside Size		Actual Neck Size	
		Width (in.)	Height (in.)	Width (in.) Dim A	Height (in.) Dim B	Width (in.) Dim C*	Height (in.) Dim D
PS1CWXP100	White	8	4	9.75	5.75	7.50	3.50
PS1CW10P100	White	10	4	11.75	5.75	9.50	3.50
PS1CW10U100	White	10	6	11.75	7.75	9.50	5.50
PS1CW10X100	White	10	8	11.75	9.75	9.50	7.50
PS1CW12P100	White	12	4	13.75	5.75	11.50	3.50
PS1CW12U100	White	12	6	13.75	7.75	11.50	5.50
PS1CW12X100	White	12	8	13.75	9.75	11.50	7.50
PS1CW14U100	White	14	6	15.75	7.75	13.50	5.50
PS1CW14X100	White	14	8	15.75	9.75	13.50	7.50

*This dimension is not shown on the dimensional drawing.

This is meant to demonstrate the general dimensions of this product. The illustrations are not meant to detail every aspect of the product. Drawings are not to scale. PROSELECT reserves the right to make changes without notice or obligation.