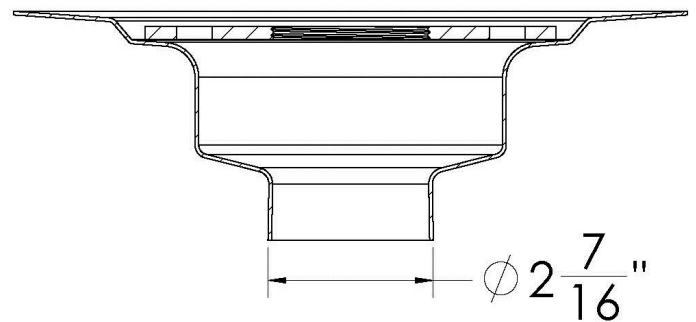
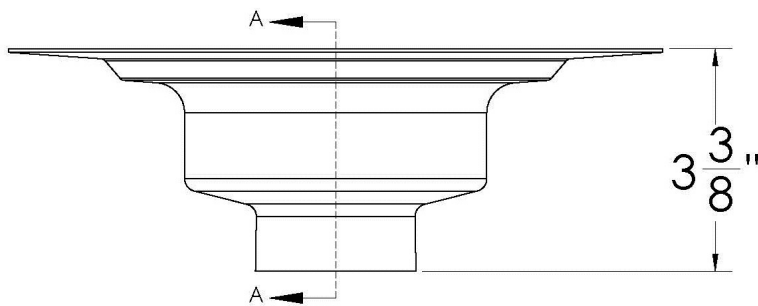
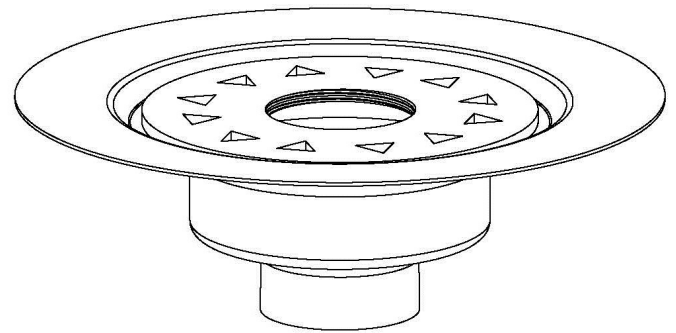
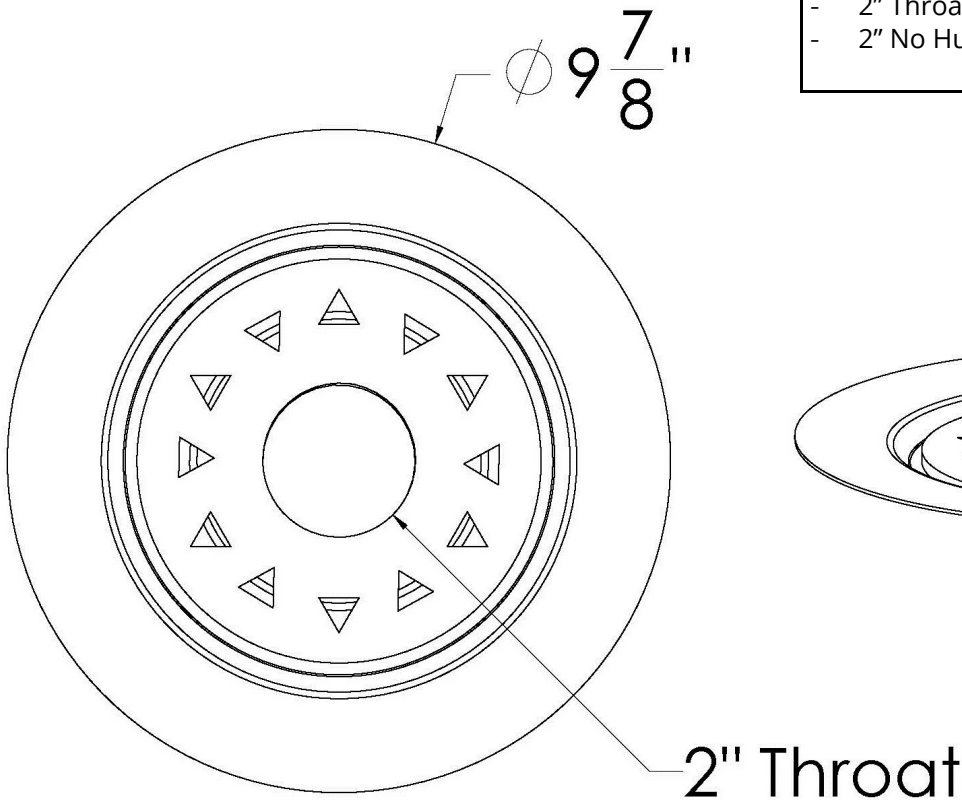


BFS 22 Specifications



BFS 22:

- Stainless Steel Bonded Flange Body (SSM)
- Cast Iron Threaded Plate (RS2)
- 2" Throat
- 2" No Hub Outlet



SECTION A-A

Infinity Drain

145 Dixon Avenue
Amityville, NY 11701
Phone: 516.767.6786
Fax: 516.740.3066
www.InfinityDrain.com



Note: Installer must verify all rough-in dimensions prior to installation and consult local and national codes. Conformity and compliance to local and national codes are the responsibility of the installer.