

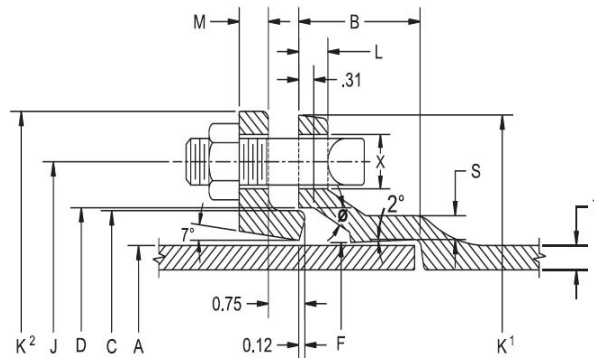
DOMESTIC

NON-DOMESTIC

SUBMITTAL: C153 MECHANICAL JOINT PRODUCT

(Current revisions for the noted Standards apply)

- SIZES:** 2" - 64" (2" not included in ANSI/AWWA C153 standard)
- STANDARDS:** ANSI/AWWA C153/A21.53, NFPA13/24, 3"-16" UL and 3"-10" FM listed & approved (File - Tyler Union)
- MATERIAL:** Cast of ASTM A536 qualified ductile iron. Date code is cast on and required for traceability.
- PRESSURE RATING:** *Flanged fittings rated at 250 psi. Mechanical joints 2" – 24" rated at 350 psi and 30" – 48" at 250 psi.
*Note: With rubber annular ring flange gasket, 2" – 24" Flanged fittings can be rated at 350 psi.
Note: Wyes over 12" are not pressure rated. Contact Tyler Union for rating in your application.
- DEFLECTION:** Joint deflection 5° max for 2"– 12" and 3° max for 14"– 48". Reduces by 50% at nominal pipe & fitting diameters
- NSF-61 & NSF372:** Meets all requirements including Annex G, Tyler Union's Underwriters Laboratory listing MH16439.
- ASPHALT COATING:** Per ANSI/AWWA C104/A21.4 and ANSI/AWWA C153/A21.53.
- CEMENT LINING:** Per ANSI/AWWA C104/A21.4, with double cement lining available upon request.
- EPOXY COATING:** Fusion bonded epoxy per ANSI/AWWA C116/A21.16. Additional coatings available upon request.
- BARE FITTINGS:** Available upon request.
- FASTNERS:** High strength low alloy weathering steel per ANSI/AWWA C111/A21.11 and ASTM A242
- INSTALLATION:** Install per AWWA C600/C651 using pipe conforming to ANSI/AWWA C151/A21.51 or AWWA C900/905.



NOMINAL JOINT DIMENSIONS IN INCHES

BOLTS

Size Inches	A Dia. DI Pipe	B Hub Depth	C Dia. GLAND	D Dia.	F Dia.	J Dia. GLAND	K ¹ Dia.	K ² Dia. GLAND	L	M GLAND	S	T	X	Size	Qty.
2	2.51	2.50	3.50	3.60	2.61	4.75	6.19	6.89	0.58	0.62	0.36	0.30	3/4	5/8x3	2
3	3.96	2.50	4.84	4.94	4.06	6.19	7.62	7.69	0.58	0.62	0.39	0.33	3/4	5/8x3	4
4	4.80	2.50	5.92	6.02	4.90	7.50	9.06	9.12	0.60	0.75	0.39	0.34	7/8	3/4x3-1/2	4
6	6.90	2.50	8.02	8.12	7.00	9.50	11.06	11.12	0.63	0.88	0.43	0.36	7/8	3/4x3-1/2	6
8	9.05	2.50	10.17	10.27	9.15	11.75	13.31	13.37	0.66	1.00	0.45	0.38	7/8	3/4x4	6
10	11.10	2.50	12.22	12.34	11.20	14.00	15.62	15.62	0.70	1.00	0.47	0.40	7/8	3/4x4	8
12	13.20	2.50	14.32	14.44	13.30	16.25	17.88	17.88	0.73	1.00	0.49	0.42	7/8	3/4x4	8
14	15.30	3.50	16.40	16.54	15.44	18.75	20.31	20.25	0.79	1.25	0.55	0.47	7/8	3/4x4-1/2	10
16	17.40	3.50	18.50	18.64	17.54	21.00	22.56	22.50	0.85	1.31	0.58	0.50	7/8	3/4x4-1/2	12
18	19.50	3.50	20.60	20.74	19.64	23.25	24.83	24.75	1.00	1.38	0.68	0.54	7/8	3/4x4-1/2	12
20	21.60	3.50	22.70	22.84	21.74	25.50	27.08	27.00	1.02	1.44	0.69	0.57	7/8	3/4x4-1/2	14
24	25.80	3.50	26.90	27.04	25.94	30.00	31.58	31.50	1.02	1.56	0.75	0.61	7/8	3/4x5	16
30	32.00	4.50	33.29	33.46	32.17	36.88	39.12	39.12	1.31	2.00	0.82	0.66	1-1/8	1x6	20
36	38.30	4.50	39.59	39.76	38.47	43.75	46.00	46.00	1.45	2.00	1.00	0.74	1-1/8	1x6	24
42	44.50	4.50	45.79	45.96	44.67	50.62	53.12	53.12	1.45	2.00	1.25	0.82	1-3/8	1-1/4x6-1/2	28
48	50.80	4.50	52.09	52.26	50.97	57.50	60.00	60.00	1.45	2.00	1.35	0.90	1-3/8	1-1/4x6-1/2	32
54	Available on Request														
60	Available on Request														
64	Available on Request														

C153 DUCTILE IRON COMPACT FITTINGS

SAMPLE SPECIFICATIONS

(Current ANSI/AWWA revisions apply)

Mechanical joint watermain fittings with accessories, 2" through 64" shall be manufactured from ductile iron in accordance with and meet all applicable terms and provisions of standards ANSI/AWWA C153/A21.53 and ANSI/AWWA C111/A21.11. Ductile iron mechanical joint fittings 2" through 24" shall be rated for 350 psi working pressure. Ductile iron 30" through 48" shall be rated for 250 psi working pressure. Flanged ductile iron fittings in 4" (610 mm) and smaller sizes may be rated for 350 psi (2,413 kPa) with the use of special (annular ring or comparable) gaskets. All coated and lined fittings meet requirements of NSF-61, NSF-372 and Annex G.

NOTE: EXCEPTIONS: Mechanical joint fittings with flanged branches are rated for water pressure of 250 psi.

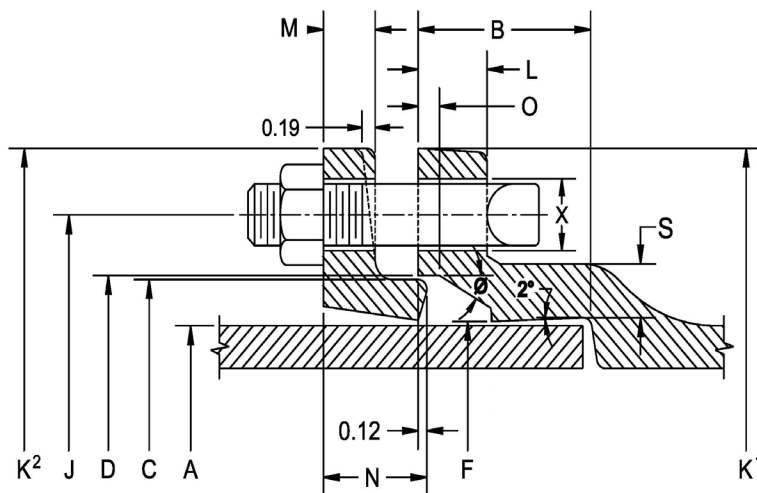
NOTE: Wyes over 12" are not pressure rated. Contact manufacturer for rating in your application.

NOTE: Fittings are cement lined and seal coated in accordance with ANSI/AWWA C104/A21.4. Fittings are available double cement-lined, bare, or epoxy coated upon request. Epoxy coating per ANSI/AWWA C116.

NOTE: Installation per AWWA C600 and AWWA C651, current revision.

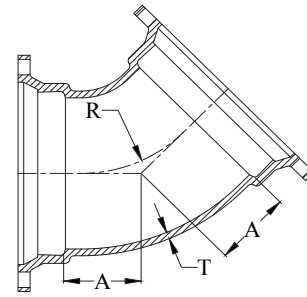
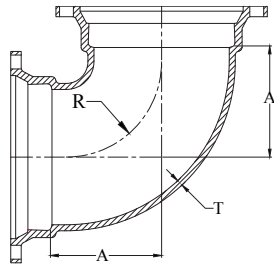
Nominal Joint Dimensions in Inches														
Size	A	B	C	D	F	ø	X	J	K1	K2	L	M	O	S
2	2.51	2.50	3.50	3.60	2.61	28°	3/4	4.75	6.19	6.89	0.58	0.62	0.31	0.36
3	3.96	2.50	4.84	4.94	4.06	28°	3/4	6.19	7.62	7.69	0.58	0.62	0.31	0.39
4	4.80	2.50	5.92	6.02	4.90	28°	7/8	7.50	9.06	9.12	0.60	0.75	0.31	0.39
6	6.90	2.50	8.02	8.12	7.00	28°	7/8	9.50	11.06	11.12	0.63	0.88	0.31	0.43
8	9.05	2.50	10.17	10.27	9.15	28°	7/8	11.75	13.31	13.37	0.66	1.00	0.31	0.45
10	11.10	2.50	12.22	12.34	11.20	28°	7/8	14.00	15.62	15.62	0.70	1.00	0.31	0.47
12	13.20	2.50	14.32	14.44	13.30	28°	7/8	16.25	17.88	17.88	0.73	1.00	0.31	0.49
14	15.30	3.50	16.40	16.54	15.44	28°	7/8	18.75	20.25	20.25	0.79	1.25	0.31	0.55
16	17.40	3.50	18.50	18.64	17.54	28°	7/8	21.00	22.50	22.50	0.85	1.31	0.31	0.58
18	19.50	3.50	20.60	20.74	19.64	28°	7/8	23.25	24.75	24.75	1.00	1.38	0.31	0.68
20	21.60	3.50	22.70	22.84	21.74	28°	7/8	25.50	27.00	27.00	1.02	1.44	0.31	0.69
24	25.80	3.50	26.90	27.04	25.94	28°	7/8	30.00	31.50	31.50	1.02	1.56	0.31	0.75
30	32.00	4.00	33.29	33.46	32.17	20°	1 1/8	36.88	39.12	39.12	1.31	2.00	0.38	0.82
36	38.30	4.00	39.59	39.76	38.47	20°	1 1/8	43.75	46.00	46.00	1.45	2.00	0.38	1.00
42	44.50	4.00	45.79	45.96	44.67	20°	1 3/8	50.62	53.12	53.12	1.45	2.00	0.38	1.35
48	50.80	4.00	52.09	52.26	50.97	20°	1 3/8	57.50	60.00	60.00	1.45	2.00	0.38	1.35
54	57.56	4.00	58.82	59.02	57.73	20°	1 3/8	63.20	65.70	65.70	1.55	2.00	0.38	1.45
60	61.61	4.00	62.87	63.07	61.78	20°	1 3/8	67.72	70.22	70.22	1.75	2.00	0.38	1.50
64	65.67	4.00	66.96	67.13	65.84	20°	1 3/8	71.86	74.36	74.36	1.75	2.00	0.38	1.50

NOTE: For projects where product weights, specifications or dimensions are critical, advise upon order placement



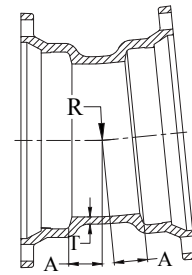
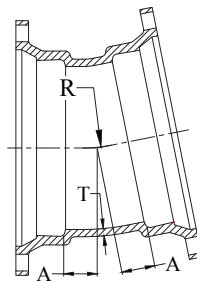
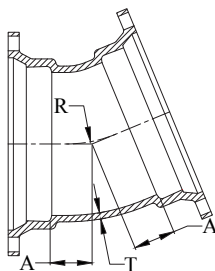
ANSI/AWWA
C153 Mechanical Joint Fittings

C153 DUCTILE IRON COMPACT FITTINGS



90° Bends (1/4)					45° Bends (1/8)							
Domestic			Import		Domestic			Import				
Size	T	A	R	Weight	T	A	Weight	A	R	Weight	A	Weight
3	0.34	3.50	2.50	26	0.33	3.50	19	2.00	2.41	17	1.50	16
4	0.35	4.00	3.00	26	0.34	4.00	24	2.50	3.56	22	2.00	22
6	0.37	6.00	5.00	45	0.36	5.00	39	3.50	7.25	38	3.00	32
8	0.39	7.00	6.00	62	0.38	6.50	57	4.00	8.44	51	3.50	46
10	0.41	7.50	6.50	89	0.40	7.50	89	5.00	10.88	75	4.50	70
12	0.43	9.00	8.00	114	0.42	9.00	108	5.98	13.25	108	5.50	86
14	0.51	12.00	11.50	210	0.47	11.50	210	5.50	12.06	156	5.00	160
16	0.52	13.00	12.50	268	0.50	12.50	264	5.50	10.42	191	5.50	202
18	0.59	15.50	14.00	375	0.54	14.00	335	6.00	11.18	252	6.00	250
20	0.60	17.00	15.50	443	0.57	15.00	400	7.00	13.59	303	7.00	305
24	0.62	17.00	15.50	663	0.61	16.75	565	7.50	14.89	398	7.50	405
30	0.66	21.50	19.00	1005	0.66	21.50	930	10.50	9.31	850	10.50	780
36	0.74	24.50	22.00	1540	0.74	24.50	1450	11.50	21.73	1135	11.50	1135
42	0.82	29.25	26.70	2380	0.82	29.25	2205	14.00	27.76	1675	14.00	1610
48	0.90	33.25	30.80	3084	0.90	33.25	2990	15.00	30.17	2196	15.00	2090

**NOTE: Other sizes available, contact Tyler Union for information



22½° Bends (1/16)				11¼° Bends (1/32)				5 - 5/8 Bends (1/64) MJ x MJ					
Domestic			Import	Domestic			Import	Import					
Size	A	R	Weight	A	Weight	A	R	Weight	A	Weight	A	R	Weight
3	1.50	2.51	16	1.00	15	1.25	2.53	15	1.00	14	1.25	5.08	16
4	1.75	3.81	21	1.50	18	1.50	5.12	21	1.30	16	1.50	7.61	18
6	2.25	6.35	31	2.00	31	1.50	5.12	30	1.50	30	1.50	10.15	29
8	2.85	11.80	44	2.50	46	2.06	15.80	43	1.80	42	1.75	12.69	45
10	3.35	14.35	67	3.00	64	2.32	18.36	58	2.00	58	2.00	15.23	59
12	3.86	16.90	81	3.50	80	2.56	20.90	68	2.30	67	2.30	17.77	82
14	3.93	17.25	139	3.75	136	2.59	21.25	123	2.50	93	2.50	20.31	136
16	3.98	17.50	172	3.75	172	2.62	21.50	145	2.50	148	2.50	20.31	157
18	4.50	15.11	275	4.50	255	3.00	16.52	205	3.00	205	3.00	25.38	283
20	4.50	15.07	341	4.50	310	3.00	15.23	245	3.00	245	3.00	25.38	374
24	4.50	15.51	333	4.50	366	3.00	16.10	304	3.00	315	3.00	25.38	487
30	6.75	21.36	670	6.75	665	4.75	22.84	551	4.80	600	3.75	32.97	600
36	7.75	26.39	978	7.75	960	5.00	25.38	870	5.00	820	4.00	34.55	820
42	9.00	32.68	1352	9.00	1350	6.00	35.54	1163	6.00	1180	5.00	42.71	1180
48	10.00	27.70	1757	10.00	1760	6.50	40.61	1474	6.50	1475	5.50	47.35	1475

NOTE: Contact Tyler Union for details on 54" through 64" NOTE: For projects where product weights, specifications or dimensions are critical, advise upon order placement.