

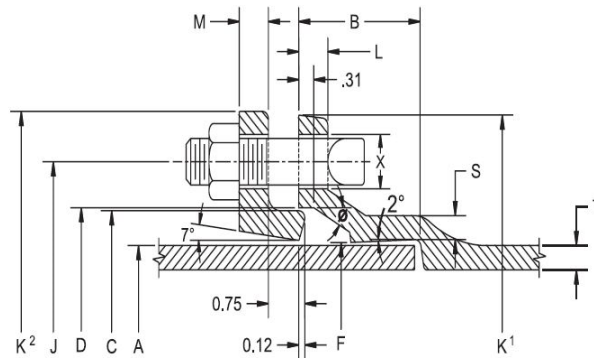
DOMESTIC

NON-DOMESTIC

SUBMITTAL: C153 MECHANICAL JOINT PRODUCT

(Current revisions for the noted Standards apply)

- SIZES:** 2" - 64" (2" not included in ANSI/AWWA C153 standard)
- STANDARDS:** ANSI/AWWA C153/A21.53, NFPA13/24, 3"-16" UL and 3"-10" FM listed & approved (File - Tyler Union)
- MATERIAL:** Cast of ASTM A536 qualified ductile iron. Date code is cast on and required for traceability.
- PRESSURE RATING:** *Flanged fittings rated at 250 psi. Mechanical joints 2" – 24" rated at 350 psi and 30" – 48" at 250 psi.
*Note: With rubber annular ring flange gasket, 2" – 24" Flanged fittings can be rated at 350 psi.
Note: Wyes over 12" are not pressure rated. Contact Tyler Union for rating in your application.
- DEFLECTION:** Joint deflection 5° max for 2"– 12" and 3° max for 14"– 48". Reduces by 50% at nominal pipe & fitting diameters
- NSF-61 & NSF372:** Meets all requirements including Annex G, Tyler Union's Underwriters Laboratory listing MH16439.
- ASPHALT COATING:** Per ANSI/AWWA C104/A21.4 and ANSI/AWWA C153/A21.53.
- CEMENT LINING:** Per ANSI/AWWA C104/A21.4, with double cement lining available upon request.
- EPOXY COATING:** Fusion bonded epoxy per ANSI/AWWA C116/A21.16. Additional coatings available upon request.
- BARE FITTINGS:** Available upon request.
- FASTNERS:** High strength low alloy weathering steel per ANSI/AWWA C111/A21.11 and ASTM A242
- INSTALLATION:** Install per AWWA C600/C651 using pipe conforming to ANSI/AWWA C151/A21.51 or AWWA C900/905.

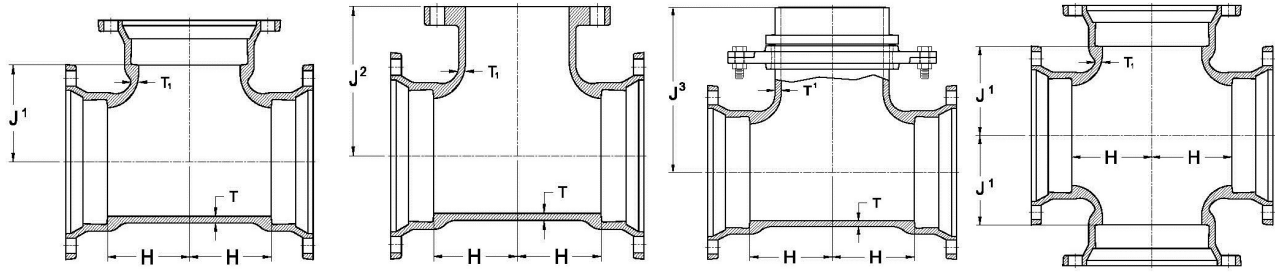


NOMINAL JOINT DIMENSIONS IN INCHES

BOLTS

Size Inches	A Dia. DI Pipe	B Hub Depth	C Dia. GLAND	D Dia.	F Dia.	J Dia. GLAND	K ¹ Dia.	K ² Dia. GLAND	L	M GLAND	S	T	X	Size	Qty.
2	2.51	2.50	3.50	3.60	2.61	4.75	6.19	6.89	0.58	0.62	0.36	0.30	3/4	5/8x3	2
3	3.96	2.50	4.84	4.94	4.06	6.19	7.62	7.69	0.58	0.62	0.39	0.33	3/4	5/8x3	4
4	4.80	2.50	5.92	6.02	4.90	7.50	9.06	9.12	0.60	0.75	0.39	0.34	7/8	3/4x3-1/2	4
6	6.90	2.50	8.02	8.12	7.00	9.50	11.06	11.12	0.63	0.88	0.43	0.36	7/8	3/4x3-1/2	6
8	9.05	2.50	10.17	10.27	9.15	11.75	13.31	13.37	0.66	1.00	0.45	0.38	7/8	3/4x4	6
10	11.10	2.50	12.22	12.34	11.20	14.00	15.62	15.62	0.70	1.00	0.47	0.40	7/8	3/4x4	8
12	13.20	2.50	14.32	14.44	13.30	16.25	17.88	17.88	0.73	1.00	0.49	0.42	7/8	3/4x4	8
14	15.30	3.50	16.40	16.54	15.44	18.75	20.31	20.25	0.79	1.25	0.55	0.47	7/8	3/4x4-1/2	10
16	17.40	3.50	18.50	18.64	17.54	21.00	22.56	22.50	0.85	1.31	0.58	0.50	7/8	3/4x4-1/2	12
18	19.50	3.50	20.60	20.74	19.64	23.25	24.83	24.75	1.00	1.38	0.68	0.54	7/8	3/4x4-1/2	12
20	21.60	3.50	22.70	22.84	21.74	25.50	27.08	27.00	1.02	1.44	0.69	0.57	7/8	3/4x4-1/2	14
24	25.80	3.50	26.90	27.04	25.94	30.00	31.58	31.50	1.02	1.56	0.75	0.61	7/8	3/4x5	16
30	32.00	4.50	33.29	33.46	32.17	36.88	39.12	39.12	1.31	2.00	0.82	0.66	1-1/8	1x6	20
36	38.30	4.50	39.59	39.76	38.47	43.75	46.00	46.00	1.45	2.00	1.00	0.74	1-1/8	1x6	24
42	44.50	4.50	45.79	45.96	44.67	50.62	53.12	53.12	1.45	2.00	1.25	0.82	1-3/8	1-1/4x6-1/2	28
48	50.80	4.50	52.09	52.26	50.97	57.50	60.00	60.00	1.45	2.00	1.35	0.90	1-3/8	1-1/4x6-1/2	32
54	Available on Request														
60	Available on Request														
64	Available on Request														

C153 DUCTILE IRON COMPACT FITTINGS



MJ Tee							MJxFE Tee				MJxSwivel Tee				Cross			
Domestic							Weight				Import				Weight			
Size	T	T1	H	J1	J2	J3	MJ	MJ x FE	†MJ x S	Cross	T	T1	H	J1	MJ	Cross		
3	0.34	0.34	3.50	3.50	5.50	—	26	29	—	31	0.33	0.33	3.00	3.00	28	35		
4x3	0.35	0.34	3.50	4.00	6.50	—	35	34	—	39	0.34	0.33	3.50	4.00	30	34		
4	0.35	0.35	4.00	4.00	6.50	—	37	39	—	45	0.34	0.34	4.00	4.00	32	40		
6x3	0.37	0.34	4.00	4.00	6.50	—	51	54	—	—	0.36	0.33	3.50	5.00	42	—		
6x4	0.37	0.35	5.00	6.00	8.00	—	52	57	—	62	0.36	0.34	4.00	5.00	46	57		
6	0.37	0.37	6.00	6.00	8.00	10.50	62	69	61	72	0.36	0.36	5.00	5.00	56	75		
8x3	0.39	0.34	4.00	6.50	9.00	—	56	—	—	—	—	—	—	—	—	—		
8x4	0.39	0.35	5.00	6.50	9.00	—	68	82	—	84	0.38	0.34	4.00	6.50	60	68		
8x6	0.39	0.37	5.50	6.50	9.00	11.50	79	87	105	98	0.38	0.36	5.00	6.50	72	74		
8	0.39	0.39	6.50	6.50	9.00	11.50	89	101	116	112	0.38	0.38	0.38	6.50	86	105		
10x3	0.41	0.34	4.00	7.50	11.00	—	80	—	—	—	—	—	—	—	—	—		
10x4	0.41	0.35	4.50	7.50	11.00	—	82	92	—	98	0.40	0.34	4.00	7.50	78	112		
10x6	0.41	0.37	5.50	7.50	11.00	13.00	99	116	114	121	0.40	0.36	5.00	7.50	90	119		
10x8	0.41	0.39	6.50	7.50	11.00	13.00	116	128	138	135	0.40	0.38	6.50	7.50	105	124		
10	0.41	0.41	7.50	7.50	11.00	—	132	144	—	156	0.40	0.40	7.50	7.50	120	145		
12x3	0.43	0.34	4.00	8.75	12.00	—	99	—	—	—	—	—	—	—	—	—		
12x4	0.43	0.35	4.00	9.00	12.00	—	108	118	—	119	0.42	0.34	4.00	8.75	94	119		
12x6	0.43	0.37	5.00	9.00	12.00	14.25	119	133	132	138	0.42	0.34	4.00	8.75	110	126		
12x8	0.43	0.39	6.50	9.00	12.00	14.25	126	146	149	149	0.42	0.38	6.50	8.75	125	149		
12x10	0.43	0.41	7.50	8.75	12.00	—	159	174	—	187	0.42	0.40	7.50	8.75	140	179		
12	0.43	0.43	8.75	8.75	12.00	—	171	198	—	202	0.42	0.42	8.75	8.75	160	213		
14x6	0.51	0.44	6.50	10.50	14.00	16.00	183	205	211	210	0.47	0.36	6.50	10.50	182	200		
14x8	0.51	0.45	7.50	10.50	14.00	—	211	—	—	231	0.47	0.38	7.50	10.50	206	228		
14x10	0.51	0.46	8.50	10.50	14.00	—	229	244	—	255	0.47	0.40	8.50	10.50	228	—		
14x12	0.51	0.47	9.50	10.50	14.00	—	245	284	—	269	0.47	0.42	9.50	10.50	234	—		
14	0.51	0.51	10.50	10.50	14.00	—	281	291	—	299	0.47	0.47	10.50	10.50	280	299		
16x6	0.52	0.45	6.50	11.50	14.00	16.00	222	230	243	250	0.50	0.36	6.50	11.50	228	240		
16x8	0.52	0.46	7.50	11.50	15.00	—	245	248	—	264	0.50	0.38	7.50	11.50	248	385		
16x10	0.52	0.47	8.50	11.50	15.00	—	265	287	—	286	0.50	0.40	8.50	11.50	264	—		
16x12	0.52	0.48	9.50	11.50	15.00	—	277	312	—	312	0.50	0.42	9.50	11.50	280	—		
16x14	0.52	0.51	10.50	11.50	15.00	—	317	348	—	—	0.50	0.47	10.50	11.50	316	—		
16	0.52	0.52	11.50	11.50	15.00	—	337	324	—	451	0.50	0.50	11.50	11.50	322	—		
18x6	0.59	0.44	6.50	14.50	15.50	18.00	275	261	279	—	0.54	0.36	6.50	12.50	275	—		
18x8	0.59	0.45	7.50	14.50	14.50	—	280	351	—	—	0.54	0.38	7.50	12.50	295	—		
18x10	0.59	0.47	8.50	12.50	—	—	286	—	—	—	0.54	0.40	8.50	12.50	315	—		
18x12	0.59	0.49	9.50	12.50	—	—	372	—	—	—	0.54	0.42	9.50	12.50	335	348		
18x14	0.59	0.56	10.50	12.50	—	—	415	—	—	—	0.54	0.47	10.50	12.50	380	—		
18x16	0.59	0.57	11.50	12.50	—	—	445	—	—	—	0.54	0.50	11.50	12.50	405	—		
18	0.59	0.59	13.00	12.50	—	—	490	—	—	—	0.54	0.54	12.50	12.50	435	348		
20x6	0.60	0.44	7.00	14.00	16.00	19.50	335	362	358	—	0.57	0.36	6.50	14.00	315	—		
20x8	0.60	0.45	8.00	14.00	—	—	390	—	—	—	0.57	0.38	8.00	14.00	345	379		
20x10	0.60	0.47	9.00	14.00	—	—	417	—	—	—	0.57	0.40	9.00	14.00	370	—		
20x12	0.60	0.49	10.00	14.00	—	—	460	—	—	—	0.57	0.42	10.00	14.00	395	413		
20x14	0.60	0.56	11.00	14.00	—	—	475	—	—	—	0.57	0.47	11.00	14.00	440	—		
20x16	0.60	0.57	12.00	14.00	—	—	530	—	—	—	0.57	0.50	12.00	14.00	465	—		
20x18	0.60	0.59	13.00	14.00	—	—	560	—	—	—	0.57	0.54	13.00	14.00	505	—		
20	0.60	0.60	14.00	14.00	—	—	605	—	—	—	0.57	0.57	14.00	14.00	535	—		

NOTE: Contact TU Inside Sales representative for MJ Crosses larger than 16 inch. †MJxSwl Weights include swivel gland

**NOTE: Other sizes available, contact Tyler Union for information.