

DESCRIPTION

- Brass Construction
- Pressure balancing valve design with 1/2" PEX, CPEX, or CC
- Tub outlet - 8" x 7" x 1/2" copper tube

OPERATION

- Adjustable temperature limit stop to control maximum hot water temperature
- Pressure balancing mechanism maintains selected discharge temperature to $\pm 3^\circ$

CARTRIDGE

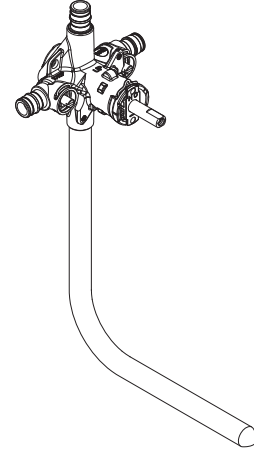
- 1222 cartridge design
- Flush Plug Available with "FP" Prefix models
- Accommodates back to back installations

STANDARDS

- Third party certified to meet ASME A112.18.1/CSA B125.1, ASSE 1016, and all applicable requirements referenced therein

WARRANTY

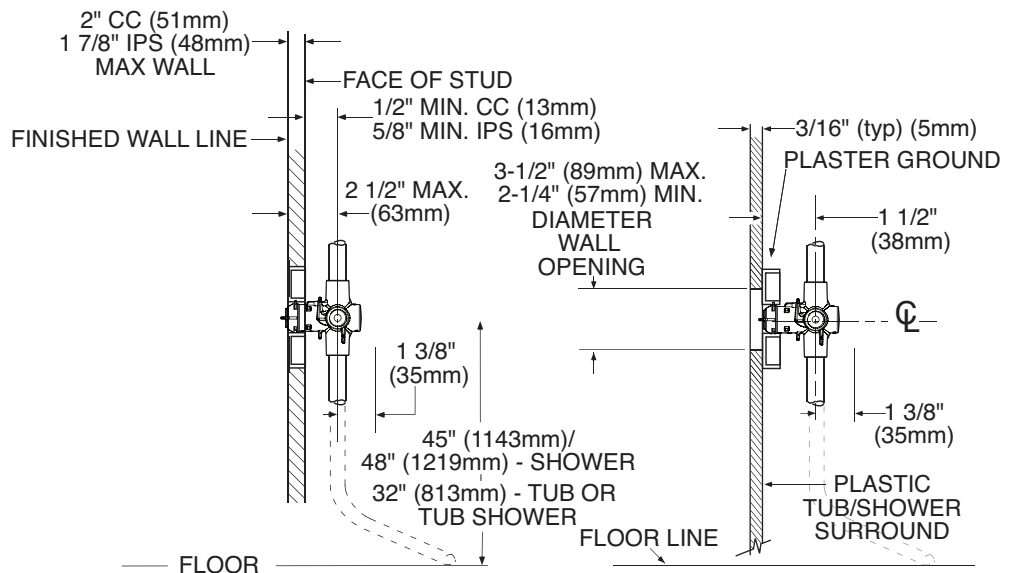
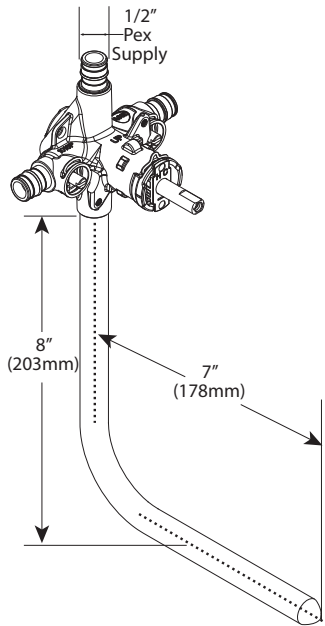
- Lifetime limited warranty against leaks, drips and finish defects to the original homeowner
 - 10 year limited warranty when used in a multifamily installation
 - 5 year limited warranty when used in a commercial installation
- Visit www.moen.com/support for complete details and limitations



POSI-TEMP® VALVE Pressure-Balancing Valve

Models:

2385PF / FP62385PF (bulk)	4 Port Posi CPEX w/ CC drop with stops
2360PF / FP62360PF (bulk)	4 Port Posi PEX w/ CC drop with stops
FP62365PF (bulk)	4 Port Posi CPEX w/ CC drop blk pk
FP62380PF (bulk)	4 Port Posi PEX w/ CC drop blk pk
62380PF	4-PORT Posi-Temp PEX w/ CC Drop
62360PF	4-PORT Posi-Temp PEX w/ CC Drop with Stops
62365PF	4-Port Posi-Temp CPEX w/ CC Drop
62385PF	4-Port Posi-Temp CPEX w/ CC Drop with Stops
62320PF	4-Port Posi-Temp CC w/ CC Drop
62370PF	4-Port Posi-Temp CC w/ CC Drop with Stops



CRITICAL DIMENSIONS

(DO NOT SCALE)

FOR MORE INFORMATION CALL: 1-800-BUY-MOEN

www.moen.com