

# Installation, Operation and Maintenance Manual

## OneFlow<sup>®</sup> Anti-Scale System

### Model OF1260-30TM, OF1465-50TM and OF1665-75TM OneFlow<sup>®</sup> Anti-Scale Systems Chemical-Free, Salt-Free Scale Prevention

#### ⚠ WARNING



**Read this Manual BEFORE using this equipment.**  
**Failure to read and follow all safety and use information can result in death, serious personal injury, property damage, or damage to the equipment.**  
**Keep this Manual for future reference.**

## Introduction

The Watts OneFlow<sup>®</sup> Anti-Scale System provides protection from scale formation on internal plumbing surfaces. The OneFlow<sup>®</sup> system can be installed at the point of entry to a building to treat both hot and cold water, or it can be located directly before a water heater, boiler, or other water using device that requires protection from hard water.

OneFlow<sup>®</sup> prevents scale by transforming the normal dissolved hardness minerals into undissolved crystal microparticles. These crystals stay suspended in the water and have a greatly reduced ability to react and attach to surfaces like dissolved hardness does. Therefore the problem of internal buildup of scale in pipes, water heaters and on fixtures and glass is greatly reduced.

OneFlow<sup>®</sup> is not a water softener or a chemical additive (like anti-scalants or sequestrants). It is a scale prevention device with proven third party laboratory test data and years of successful residential and commercial installation. OneFlow<sup>®</sup> is the one water treatment device that effectively provides scale protection and is a great salt-free alternative to water softening (ion exchange) or scale sequestering chemicals. Laundry and warewashing chemistry will likewise require adjustments.

## OneFlow<sup>®</sup> Benefits

- Chemical-free scale prevention and protection – converts hardness minerals to harmless, inactive microscopic crystals making OneFlow<sup>®</sup> an effective alternative technology to a water softener for the prevention of scale due to water hardness
- Virtually maintenance free - no control valve
- Uses environmentally friendly technology by using no salt or other chemicals to constantly add, no electricity and no wastewater
- Improves efficiency of all water using appliances – both hot\*\* and cold
- Simple sizing & installation – all you need to know is pipe size and the peak flow rate.
- Safe for landscaping and lawn watering. No need for costly bypass plumbing.



- Compatible with all on-site and community wastewater treatment systems.
- Perfect system for towns or communities where water softeners are banned or restricted
- For high-flow applications, install multiple tanks in parallel
- OneFlow<sup>®</sup> does not remove minerals or add sodium to the water supply
- OneFlow can be installed as pre-treatment to commercial reverse osmosis systems (contact your Watts Representative for further details)

\*\* For hot water applications where feed water temperature is 100°F – 140°F (38° – 60°C), please consult ES-OneFlow-HotWater.



WQA Certified against NSF/ANSI Standard 61 and 372 for Lead Free\*.

#### ⚠ WARNING

Do not use with water that is microbiologically unsafe or of unknown quality without adequate disinfection before or after the system.

\*The wetted surface of this product contacted by consumable water contains less than 0.25% of lead by weight.

# WATTS<sup>®</sup>

## Specifications

A OneFlow® scale prevention system shall be installed on the main water service pipe just after it enters the building, but after other whole building water safety devices (backflow preventers or pressure reducing valves), to effectively address water hardness concerns. A system may also be installed further downstream to protect specific equipment or areas within a plumbing system. The system shall be plumbed with a bypass valve to allow isolation of tank(s) and to allow the bypass of untreated water in the event that service or media replacement be necessary. The installation area should be suitable in size for the tank(s) to be serviced without encumbrance and sit upright on a flat level surface.

The system must operate in an upflow manner and does not require additional water to backwash, flush, or regenerate once put into service. The system does not require any chemical additives and does not require electricity for operation.

Multi-tank systems shall be installed in parallel with PVC/CPVC manifold to meet peak flow rate requirements – see image below.



## Standards

Independent scientific testing has confirmed Template Assisted Crystallization (TAC) technology provides scale reduction of over 95+%. Testing was conducted under protocol based on DVGW W512 test to assess control of scale formation.

### ⚠ CAUTION

- Not for use on closed loop systems.
- Do not let the system freeze. Damage to the tank may result.
- System must be operated in a vertical position. Do not lay it down during operation. The system may be placed in any position for shipping and installation but must be operated in the vertical position.
- Place the system on a smooth, level surface. Because the system operates in an upflow, fluidized bed mode, having a level surface is more important than with a softener or media filter.
- A bypass valve should be installed on every system to facilitate installation and service.
- Observe all local plumbing and building codes when installing the system.

### ⚠ WARNING

#### Using OneFlow® with other water treatment equipment.

Due to the unique properties of OneFlow®, there are some unique requirements for using OneFlow® in conjunction with filtration or other forms of water treatment.

1. OneFlow® must be the last stage in the treatment chain. Do not install any filters after OneFlow® or before any devices for which scale prevention is required. POU filters, e.g. carbon, RO or Ultraviolet (UV) are exempt from this requirement.
2. Do not apply any other antiscalant before or after OneFlow®.
3. The addition of soaps, chemicals, or cleaners, before or after OneFlow treatment, may reverse its anti-scale treatment effects and/or create water with a heavy residue or spotting potential. Any adverse conditions caused by the addition of soaps, chemicals, or cleaners are the sole responsibility of the end user.
4. OneFlow is not a water softener and does not soften the water - Water treatment chemistry (e.g. antiscalants, sequestrants, soaps, chemicals or cleaners etc...) will most likely have to be changed to be compatible with OneFlow treated water. Laundry and ware-washing chemistry will likewise require adjustments.

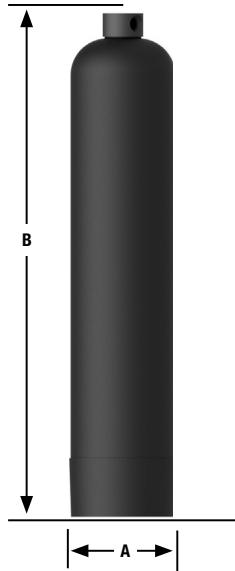
### NOTICE

#### Spotting May Occur on External Plumbing Surfaces

OneFlow media systems perform best in single pass potable water applications with NO additional chemical additives. Depending on hardness, soft scale spotting may occur. Soft scale spots in most cases can be easily wiped down with a damp cloth and will not form hard scale deposits. A Point of Use (POU) Water Softener should be used on mandatory spot-free applications (e.g. glass stemware, dishware).

# Equipment Specifications

OneFlow® systems are complete, self-contained, loaded with media, and ready to use. A simple inlet and outlet connection is all that is required for installation. Please review operating pressures, temperatures and water chemistry limitations to ensure compatibility.



## Feed Water Chemistry Requirements

pH	6.5-8.5
Hardness (maximum)	30 grains (513 ppm CaCO <sub>3</sub> ) *
Water Pressure	15psi to 100psi (1.03 bar to 6.9 bar)
Temperature	40° F to 100° F (5°C to 38°C)
Free Chlorine	<2 ppm
Iron (maximum)	0.3 ppm **
Manganese (maximum)	0.05 ppm **
Copper	1.3 ppm***
Oil & H <sub>2</sub> S	Must be Removed Prior to OneFlow
Total Phosphates	< 3.0 ppm
Silica (maximum)	20 ppm †
TDS	1500 mg/l ††

### NOTICE

\* Systems using OneFlow® technology are effective at controlling lime-scale formation inside the plumbing system at influent hardness levels up to 75 grains per gallon (1282 mg/l) CaCO<sub>3</sub> of calcium carbonate. Due to variances in water chemistry, 30 grains per gallon is a recommended hardness maximum due to potential aesthetic issues related to soft scale residue formation outside of the plumbing system. Testing should be performed to determine proper application where hardness levels exceed 30 grains per gallon.

\*\*Just as with conventional water softening media, OneFlow® media needs to be protected from excess levels of certain metals that can easily coat the active surface, reducing its effectiveness over time. Public water supplies rarely, if ever, present a problem, but if the water supply is from a private well, confirm that the levels of iron (Fe) and manganese (Mn) are less than 0.3 mg/L and 0.05 mg/L, respectively.

### WARNING

\*\*\*Pursuant to the EPA drinking water standards, the copper concentration permitted is up to 1.3 ppm. Typically originating from new copper plumbing, high levels of copper can foul OneFlow media. New Copper lines need to be passivated for a minimum of 4 weeks before placing unit into service. For applications with copper concentration greater than 1.3 ppm, please consult Watts Water Quality Technical Service. To further minimize any problem with excess copper, avoid applying excessive flux on the inner surfaces of the pipe and use a low-corrosivity water soluble flux listed under the ASTM B813 standard.

### NOTICE

† OneFlow® media does not reduce silica scaling. While silica tends to have a less significant effect on scale formation than other minerals, it can act as a binder that makes water spots and scale residue outside the plumbing system difficult to remove. This 20 ppm limitation is for aesthetic purposes.

†† All other contaminants must meet the requirements of the USEPA Safe Drinking Water Act. Specific Mineral and Metal MCL's, identified in Watts published Feed Water Chemistry Requirements, supersedes the USEPA SDWA.

Water known to have heavy loads of dirt and debris may require pre-filtration prior to OneFlow®.

## Weights and Dimensions (nominal - inches)

MODEL	OF1260-30TM		OF1465-50TM		OF1665-75TM	
Dry Weight	72 lbs.	33 kgs.	89 lbs.	40 kgs.	110 lbs.	50 kgs.
Service Weight	394 lbs.	179 kgs.	423 lbs.	192 kgs.	515 lbs.	234 kgs.
Dimensions	A - 12	B - 63.7	A - 14	B - 73.1	A - 16	B - 73.1

## Connections

MODEL	INLET/OUTLET CONNECTION
OF1260-30TM	1-1/4" (32mm) PVC FNPT
OF1465-50TM*	2" (50 mm) PVC FNPT
OF1665-75TM*	2" (50 mm) PVC FNPT

### NOTICE

\*For models OF1465-50TM and OF1665-75TM, Two 2" MNPT Flex Connectors are included and required for each tank installation

## Replacement Media

MODEL	REPLACEMENT FREQUENCY
OF1260RM	Media should be replaced every 3 years
OF1465RM	Media should be replaced every 3 years
OF1665RM	Media should be replaced every 3 years

## Maximum Service Flow (gpm) vs. Water Temperature

SYSTEM	40°F	45°F	50°F	55°F	60°F	65°F	70°F
OF1260-30TM	20	24	28	30	30	30	30
OF1465-50TM	40	44	48	50	50	50	50
OF1665-75TM	45	51	56	59	63	69	75

## Intermittent Duty Systems

MODEL	FLOW RATE
OF1260-30TM	30 GPM at all temperatures
OF1465-50TM	50 GPM at all temperatures
OF1665-75TM	75 GPM at all temperatures

Intermittent duty is defined as less than 2 hours of Maximum Flow per 24 hour period. Higher Flow rates can be achieved by combining systems in an array.

## Maximum Flow Rate \*\*\*

MODELS	GPM	LPM
OF1260-30TM	30	144
OF1465-50TM	50	189
OF1665-75TM	75	284

\*\*\* Exceeding maximum flow can reduce effectiveness and void warranty.

Pressure drop at peak flow rate is less than 18psi.

Pressure drop reading taken with inlet and outlet gauges installed at a common elevation and 80 degree feed water.

# Installation

## Tighten the Tank Head

### NOTICE

Check the head on top of the tank. It is common for it to loosen during shipment. Tighten the head with a strap wrench as needed.

### NOTICE

#### Models OF1465-50TM and OF1665-75TM Only

\*It is very important to use **flexible connections** on the inlet and outlet plumbing in the horizontal orientation as shown in the images on this page. The tanks expand and contract with water pressure fluctuations. Flexible connectors will prevent plumbing and tank leaks. The EDP code for the suggested Watts 2" Flexible Connectors is C515285 (Two are included and required for installation).

#### Models OF1260-30TM, OF1465-50TM and OF1665-75TM

Anytime OneFlow® systems are installed above the ground floor of a building it is recommended that a **vacuum relief valve** also be installed to protect against tank collapse in the event the plumbing system is drained. If a vacuum relief valve is not used then the system should be placed in bypass anytime the plumbing system is drained. The EDP code for the suggested vacuum relief valve is 0556031 (not included). The vacuum relief valve should be installed on the outlet of the system.

### NOTICE

- We recommend the installation of a dual-union ball-valve on the inlet and outlet to isolate the tank for servicing.
- A full bypass should be installed so that the full service flow can be routed around the system as needed for servicing.

## Install Piping

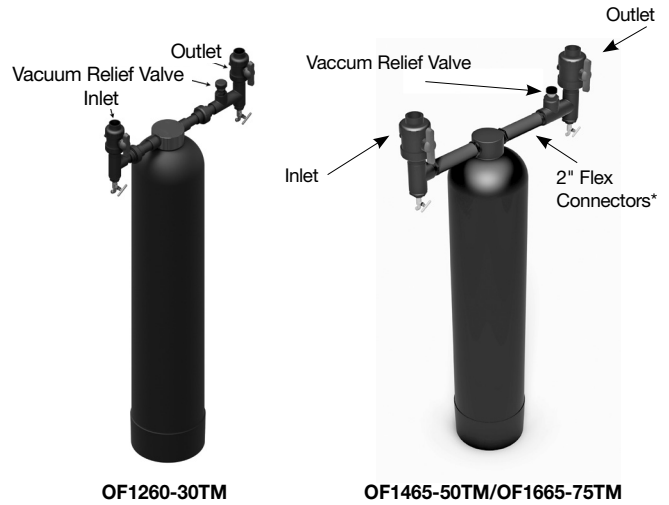
Connect the inlet and outlet plumbing according to your preferences and any applicable local codes. Include sample/drain ports with hose-bibb connections on the inlet and outlet piping to facilitate startup and service.

### WARNING

#### Support the Piping

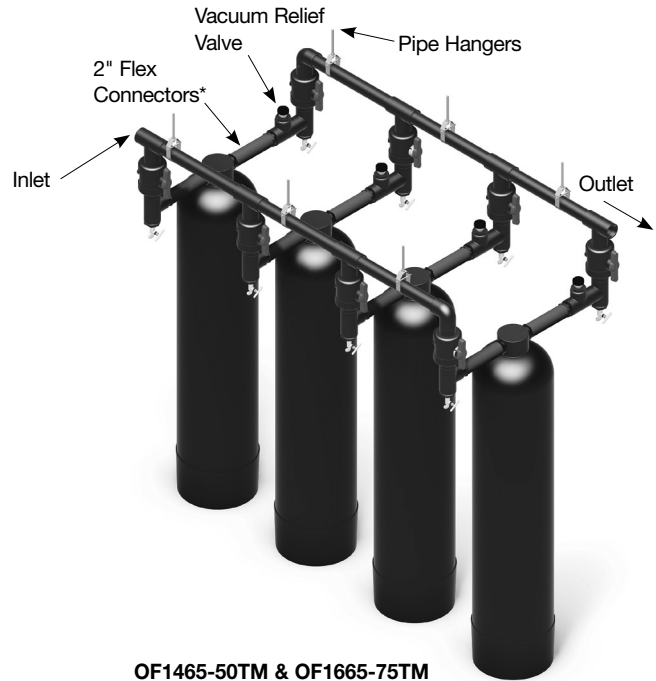
2 inch Flex Connectors must be installed horizontally not vertically in the water pipe line. The full weight of the piping and valves must be supported by uni-strut, pipe hangers or other means. The tank connections cannot support the weight of the piping. The image below for a multi-tank system installation shows properly supported piping.

## Typical Installation for single and multi-tank systems



OF1260-30TM

OF1465-50TM/OF1665-75TM



OF1465-50TM & OF1665-75TM

## Start-Up

Connect a hose to the hose bibb on the outlet of the tank. Run the hose to a drain and open the hose bibb.

Slowly/partially open the supply water ball valve. Allow the tank to slowly fill with water. When a steady stream of water appears at the drain, close the supply valve and hose bibb.

Open the inlet and outlet valves on the system. Transfer the bypass valves from Bypass to the Service position. Open a nearby faucet downstream from the OneFlow® system to relieve any air.

Check for leaks. Repair as needed.

### NOTICE

Fill in install date and rebed due date on product label located on front of each tank as reminder to replace OneFlow media every 3 years.

The system is now ready for service.

# Replacing the Media

## NOTICE

Your OneFlow® media should be replaced every (3) years.

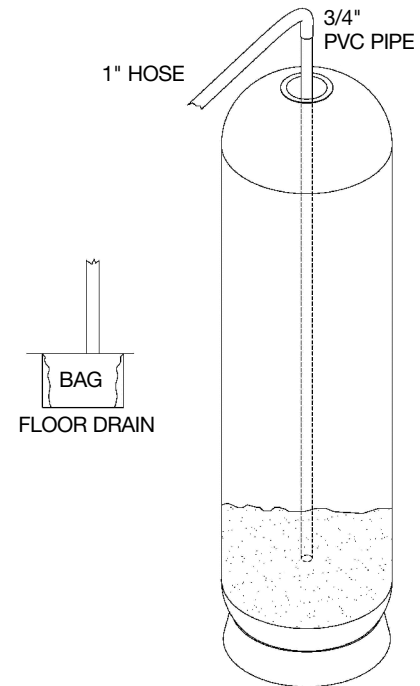
1. Shut off the primary feed supply going to the OneFlow® tank.
2. Open up a downstream spigot or faucet to release pressure in the tank and in the distribution lines before and after the system.
3. Shut the isolation valves immediately before and after the tank.
4. Disconnect the unions on the inlet and outlet of the tank, and then disconnect flex connectors from head.
5. Using a step ladder and strap wrench, remove the threaded head assembly connection (turning counter-clockwise) and remove the complete upper assembly including grey-colored PVC strainer. Rinse these parts in a nearby sink or bucket of water. Do not drain the tank.
6. Remove the distributor tube with the bottom strainer. Rinse these parts in a nearby sink or bucket of water.
7. Get a 6ft length of 3/4" sch. 40 PCV and a length of 1" poly-vinyl hose. The length of hose depends on the distance to the nearest floor drain. (Both of these can be acquired at Home Depot or Lowes.)
8. Insert one end of the pipe inside the hose and put the other end of the pipe into the top of the tank and down into the media. Put the other end of the hose inside a rice bag and put the rice bag on the floor drain.
9. Get a garden hose and put it on the open end of the poly hose to fill the hose and pipe with water. Air will bubble out of the tank. Once all the air is out of the hose and pipe, you can start a siphon to remove the media. Put the garden hose in the top of the tank and turn it on to keep the tank full of water. Push the pipe up and down in the media to get it all out. The rice bag will catch the media and allow the water to go down the drain.
10. Try not to be too aggressive when extracting the media. You need to take it out in small bites. If you let the whole pipe/hose fill with media it will plug up. You need to let slugs of water flush out the pipe as you go.
11. When all the old media is removed turn off the garden hose and continue to siphon until the tank is about half full with water.
12. Using the step ladder again, reinstall the distributor tube with bottom strainer that was removed in step #6. Center the distributor tube in the bottom of the tank. Keeping any and all media from entering the distributor tube, carefully pour-in a new bag(s) of media that specifically meets the replacement requirement of the tank. For example, an OF1665-75TM system requires (x1) OF1665RM Replacement Media.
13. Inspect the threaded connection on the top of the tank to ensure no loose beads of media are stuck to the internal threads. If visible, wipe away the beads with a damp cloth.
14. Re-attach the head assembly onto the distributor tube and thread the head assembly back onto the tank. Hand-tighten until the final turn when a strap wrench can help tighten the connection.
15. Reconnect the flex connectors and union connections.
16. Open the feed water inlet (slowly) to fill the tank.
17. Purge the air at a downstream faucet close to the system.
18. Once the tank is full, wait 4 hours for media to "hydrate".
19. Put the tank in service.

# Alternative Method for Replacing Media

Follow steps 1 – 6 then,

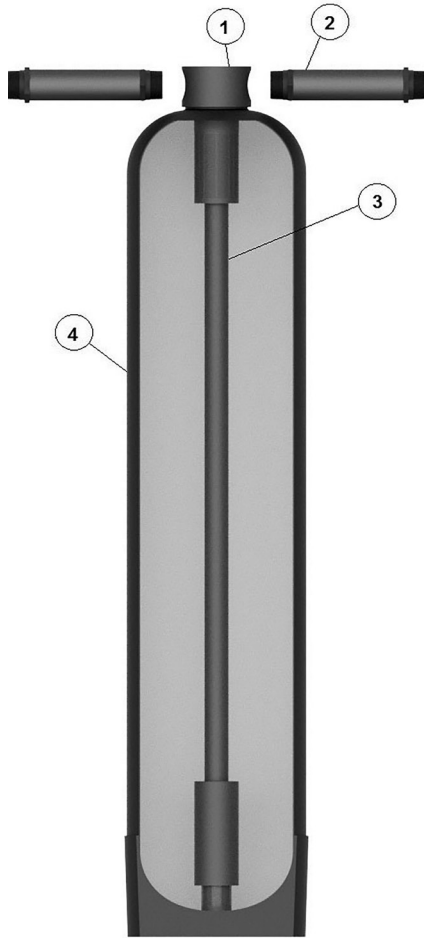
- Remove center distributor tube and lower basket and siphon all water from tank
- Lay tank down on its side and tip upside down while using hose to flush media out
- When all the old media is removed, stand tank back up and install in original position. Fill the tank so that it is about half full with water.

Then continue with steps 12 – 19.



## Parts List

ITEM	QTY.	EDP #	DESCRIPTION
1a	1	7300783	TANK HEAD & UPPER BAKSET ASSEMBLY (OF1465 & OF1665 MODEL ONLY)
1b	1	7300898	TANK HEAD & UPPER BAKSET ASSEMBLY (OF1260 MODEL ONLY)
2	1	C515285	FLEX HOSE 2" X 12" (OF1465 & OF1665 MODELS ONLY)
3	1	7300784	RISER & BOTTOM DISTRIBUTOR ASSEMBLY
4a	1	7300899	12" x 60" TANK 4" TOP (OF1260 MODEL ONLY)
4b	1	7300785	14" X 65" TANK 4" TOP (OF1465 MODEL ONLY)
4c	1	7300786	16" X 65" TANK 4" TOP (OF1665 ONLY)



## Limited Warranty

### Limited Warranty

Watts Regulator Company warrants its OneFlow® tank systems as follows:

- The OneFlow® tank system is warranted to be free of defects in materials and workmanship for 5 years from the date of original shipment.
- The OneFlow® media is warranted for performance for a period of 2 years from the date of the original installation when installed and operated in accordance with the instructions in the corresponding Installation and Operation Manual.

Watts Regulator Company warrants its OneFlow® cartridge systems as follows:

- The OneFlow® cartridge system is warranted to be free of defects in materials and workmanship for 1 year from the date of original shipment.
- OneFlow® cartridges are warranted for performance for a period of one year from the date of original installation when installed and operated in accordance with the instructions in the corresponding Installation and Operation Manual.
- Carbon replacement filter cartridges are not warranted to perform for any period of time because the service life of replacement carbon filter cartridges varies significantly with local water conditions and volume.

### Conditions

1. The OneFlow® system must be installed in applications with municipally supplied water adhering to EPA guidelines with the exception of oil and grease, copper, phosphate, silica and chlorine. See copper warnings on page 2 and condition number 5 below.
2. Any component failure must not result from abuse, fire, freezing or other acts of nature, violence, or improper installation.
3. Equipment must be installed and operated in compliance with the local plumbing codes and on an approved water supply.
4. Equipment is limited to use at water pressures and temperatures that do not exceed our published specifications.
5. Water supply must not exceed 2.0 PPM chlorine. For water supply exceeding 2.0 PPM chlorine, pretreatment is required. (Please contact your water treatment specialist.)
6. Information, including model number, serial number, and date of installation, must be provided for any claims pertaining to equipment in warranty.
7. Defective parts are subject to inspection by either Watts Regulator Company or any authorized representative before final commitment of warranty adjustment is made.
8. Watts Regulator Company reserves the right to make changes or substitutions in parts or equipment with material of equal quality or value and of then current production.

### Limitations

Our obligation under this warranty with respect to the tank or valve is limited to furnishing a replacement for, or at our option, repairing any part or parts to our satisfaction that prove defective within the warranty period stated above. Such replacement parts will be delivered to the owner F.O.B. nearest factory, at no cost, excluding freight and local labor charges, if any.

Our obligation under this warranty with respect to the OneFlow® media will be limited to furnishing a replacement for the media within two years from date of original installation. Such replacement media will be delivered to the owner F.O.B. nearest factory, at no cost, excluding freight and local labor charges, if any. Damage to the media due to chlorine, other oxidizers or fouling caused by local water conditions or any other operation outside of the limits shown under Specifications, is not covered by this warranty.

THE WARRANTY SET FORTH HEREIN IS GIVEN EXPRESSLY AND IS THE ONLY WARRANTY GIVEN BY WATTS REGULATOR COMPANY WITH RESPECT TO THE PRODUCT. WATTS REGULATOR COMPANY MAKES NO OTHER WARRANTIES, EXPRESS OR IMPLIED. WATTS REGULATOR COMPANY HEREBY SPECIFICALLY DISCLAIMS ALL OTHER WARRANTIES, EXPRESS OR IMPLIED, INCLUDING BUT NOT LIMITED TO THE IMPLIED WARRANTIES OF MERCHANTABILITY AND FITNESS FOR A PARTICULAR PURPOSE.

The remedy described under this warranty shall constitute the sole and exclusive remedy for breach of warranty, and Watts Regulator Company shall not be responsible for any incidental, special or consequential damages, including without limitation, freight, handling, lost profits or the cost of repairing or replacing other property which is damaged if this product does not work properly, other costs resulting from labor charges, delays, vandalism, negligence, fouling caused by foreign material, damage from adverse water conditions, chemical, or any other circumstances over which Watts Regulator Company has no control. This warranty shall be invalidated by any abuse, misuse, misapplication or improper installation of the product.

Some states do not allow limitations on how long an implied warranty lasts, and some states do not allow the exclusion or limitation of incidental or consequential damages. Therefore the above limitations may not apply to you. This warranty gives you specific legal rights, and you may have other rights that vary from state to state. You should consult applicable state laws to determine your rights. SO FAR AS IS CONSISTENT WITH APPLICABLE STATE LAW, ANY IMPLIED WARRANTIES THAT MAY NOT BE DISCLAIMED, INCLUDING THE IMPLIED WARRANTIES OF MERCHANTABILITY AND FITNESS FOR A PARTICULAR PURPOSE, ARE LIMITED IN DURATION TO THE APPLICABLE WARRANTY PERIODS STATED ABOVE.





---

**USA:** T: (978) 689-6066 • F: (978) 975-8350 • [Watts.com](http://Watts.com)  
**Canada:** T: (888) 208-8927 • F: (905) 332-7068 • [Watts.ca](http://Watts.ca)  
**Latin America:** T: (52) 55-4122-0138 • [Watts.com](http://Watts.com)

# Manual de instalación, funcionamiento y mantenimiento

## OneFlow<sup>®</sup> Anti-Scale System

Sistemas antisarro modelos OF1260-30TM,  
OF1465-50TM y OF1665-75TM OneFlow<sup>®</sup>  
Prevención de sarro sin sustancias químicas y sin sales

### ⚠ ADVERTENCIA



Lea este manual **ANTES** de utilizar el equipo.  
Si no lee y respeta toda la información sobre seguridad  
y uso, las consecuencias pueden ser la muerte, lesiones  
graves, daños materiales o daños en el equipo.  
Conserve este manual para consultarlo en el futuro.

## Introducción

El sistema antisarro OneFlow<sup>®</sup> de Watts brinda protección ante la formación de sarro en el interior de tuberías. El sistema OneFlow<sup>®</sup> puede instalarse en el punto de entrada de un edificio para el tratamiento del agua fría y caliente, o puede colocarse directamente antes de un calentador de agua, una caldera u otro dispositivo que utilice agua que requiera protección contra las aguas duras.

OneFlow<sup>®</sup> evita la formación de sarro al transformar los minerales duros disueltos en micropartículas de cristal no disueltas. Estos cristales se mantienen suspendidos en el agua y tienen una capacidad muy reducida de reaccionar y adherirse a las superficies como lo hace la dureza disuelta. Por lo tanto, el problema de la acumulación de sarro en el interior de las tuberías, los calentadores de agua, los accesorios y el vidrio se reduce notablemente.

OneFlow<sup>®</sup> no es un ablandador de agua o un agregado químico (como los inhibidores de sarro o los secuestrantes). Es un dispositivo de prevención de sarro que cuenta con datos comprobados de pruebas de laboratorios independientes y años de instalaciones residenciales y comerciales exitosas. OneFlow<sup>®</sup> es el único dispositivo de tratamiento de aguas que proporciona, de forma eficaz, protección contra el sarro y es una muy buena alternativa sin sal a los ablandadores de agua (intercambio de iones) o a las sustancias químicas que aíslan el sarro. También deberán ajustarse las sustancias químicas de lavandería y del fregadero.

## Beneficios de OneFlow<sup>®</sup>

- Protección y prevención de sarro sin sustancias químicas: convierte los minerales duros en cristales microscópicos inofensivos e inactivos, lo que hace que OneFlow<sup>®</sup> sea una tecnología alternativa eficaz a los ablandadores de aguas para prevenir la formación de sarro causado por las aguas duras.
- Prácticamente no requiere mantenimiento; sin válvula de control.
- Utiliza tecnología amigable con el ambiente, ya que no agrega sal u otras sustancias químicas constantemente, no usa electricidad ni aguas residuales.
- Mejora la eficiencia de todos los aparatos que utilizan agua fría o caliente\*\*.
- Tamaño e instalación simples: lo único que necesita saber es el tamaño de las tuberías y el caudal de flujo máximo.
- Es seguro para paisajismo y riego de césped. No se requieren costosas tuberías de derivación.



- Es compatible con los sistemas de tratamiento de aguas residuales en sitio y comunitarios.
- Es el sistema perfecto para ciudades o comunidades en las que los ablandadores de agua están prohibidos o restringidos.
- Para aplicaciones de alto caudal, instale múltiples tanques paralelos.
- OneFlow<sup>®</sup> no elimina minerales del suministro de agua ni agrega sodio a este.
- OneFlow se puede instalar como tratamiento previo para sistemas comerciales de ósmosis inversa (comuníquese con su representante de Watts para obtener más información).

\*\* Para aplicaciones de agua caliente en las que la temperatura del agua oscila entre 100 y 140 °F (38 y 60 °C), consulte ES-OneFlow-HotWater.



Cuenta con la certificación de WQA (Asociación de Calidad del Agua) de ausencia de plomo según las normas 61 y 372 de la NSF/ANSI (Instituto Nacional Estadounidense de Estándares).

### ⚠ ADVERTENCIA

No lo use con agua que no sea microbiológicamente segura o de calidad desconocida, sin desinfección adecuada antes o después del sistema.

\* La superficie húmeda de este producto en contacto con agua potable tiene un contenido inferior al 0.25% de plomo por peso.

# WATTS<sup>®</sup>

## Especificaciones

El sistema de prevención de sarro OneFlow® debe instalarse en la tubería de servicio de agua principal justo después de que ingresa en el edificio, pero después de otros dispositivos de seguridad del agua del edificio (dispositivos para evitar el retroflujo o válvulas reductoras de presión), para abordar los problemas de agua dura de forma efectiva. También puede instalarse un sistema más corriente abajo para proteger áreas o equipos específicos dentro de un sistema de tuberías. El sistema deberá contar con una válvula de derivación que permita aislar los tanques y derivar el agua sin tratamiento en caso de que sea necesario realizar tareas de mantenimiento o reemplazar el medio. El área de instalación debe tener un tamaño adecuado para realizar tareas de mantenimiento de los tanques sin impedimentos y para que estos entren en posición vertical sobre una superficie plana.

El sistema debe trabajar corriente arriba y no debe requerir agua adicional para retrolavado, enjuague o regenerarse una vez puesto en funcionamiento. El sistema no requiere ninguna sustancia química adicional ni electricidad para funcionar.

Los sistemas con tanques múltiples deben instalarse junto con un colector de PVC/CPVC que cumpla con los requisitos del caudal de flujo máximo; consulte la imagen a continuación.



## Estándares

Pruebas científicas independientes confirmaron que la tecnología de cristalización asistida con plantilla (Template Assisted Crystallization, TAC) proporciona una reducción del sarro mayor al 95 %. Las pruebas se realizaron en virtud de un protocolo basado en la prueba DVGW W512 para acceder al control de la formación de sarro.

## ⚠ PRECAUCIÓN

- No debe utilizarse en sistemas de lazo cerrado.
- No permita que el sistema se congele. Puede dañarse el tanque.
- El sistema debe operar en posición vertical. No lo recueste durante su funcionamiento. El sistema puede colocarse en cualquier posición durante el envío y la instalación, pero debe operar en posición vertical.
- Coloque el sistema en una superficie suave y plana. Como el sistema opera en un modo de lecho fluido con caudal ascendente, tener una superficie plana es más importante que con un ablandador o un filtro de medio.
- Debe instalarse una válvula de derivación en todos los sistemas para facilitar la instalación y el servicio.
- Cuando instale el sistema, cumpla con todos los códigos locales de construcción y plomería.

## ⚠ ADVERTENCIA

### Uso de OneFlow® con otros equipos de tratamiento de agua.

Debido a las propiedades únicas de OneFlow®, hay algunos requisitos únicos para utilizar OneFlow® junto con filtración u otras formas de tratamiento de aguas.

1. OneFlow® debe ser la última etapa de la cadena de tratamiento. No instale ningún filtro después de OneFlow® o antes de cualquier dispositivo para el que se requiera la prevención antisarro. Los filtros POU (punto de uso), p. ej., de carbono o por RO (ósmosis inversa) o rayos UV (ultravioleta) están exentos de este requisito.
2. No aplique otros productos antisarro antes o después de OneFlow®.
3. La adición de jabones, productos químicos o limpiadores, antes o después del tratamiento con OneFlow, puede revertir los efectos del tratamiento antisarro y/o generar agua con un residuo pesado o un posible manchado. Toda condición adversa ocasionada por la adición de jabones, productos químicos o limpiadores son responsabilidad exclusiva del usuario final.
4. OneFlow no es un ablandador de agua ni ablanda el agua: es probable que deba cambiar las sustancias químicas para el tratamiento del agua (p. ej., inhibidores de sarro, aislantes, jabones, productos químicos o limpiadores, etc.) para que esta sea compatible con el agua tratada con OneFlow. También deberán ajustarse las sustancias químicas de lavandería y del fregadero.

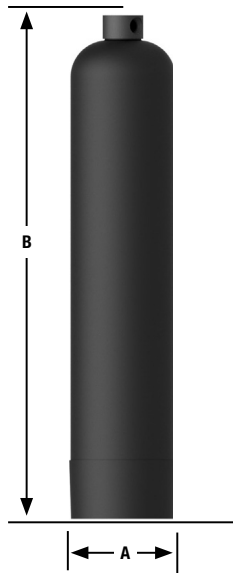
## AVISO

### En las superficies de cañerías externas se pueden producir manchas.

Los sistemas de medio OneFlow tienen un mejor rendimiento en aplicaciones de agua potable de paso simple SIN sustancias químicas adicionales. Según la dureza, se pueden producir manchas de sarro suave. En la mayoría de los casos, las manchas de sarro suave se pueden limpiar con un paño húmedo para que no se formen incrustaciones de sarro duro. Un suavizador de agua en el punto de uso (POU) se debe usar en aplicaciones que exigen que sea libre de manchas (p. ej., copas de vidrio, vajilla).

# Especificaciones del equipo

Los sistemas OneFlow® son completos y autosuficientes, están cargados con medio y están listos para usar. Solo se requiere una simple conexión de entrada y salida para la instalación. Revise las presiones operativas, limitaciones de la composición química del agua y temperaturas para garantizar la compatibilidad.



## Requisitos químicos del agua de alimentación

pH	6.5 a 8.5
Dureza (máxima)	30 granos (513 ppm CaCO <sub>3</sub> ) *
Presión del agua	15psi a 100psi (1.03 bar a 6.9 bar)
Temperatura	40 °F a 100 °F (5 °C a 38 °C)
Cloro libre	<2 ppm
Hierro (máximo)	0.3 ppm **
Manganeso (máximo)	0.05 ppm **
Cobre	1.3 ppm***
Aceite y H <sub>2</sub> S	Deberán eliminarse antes de OneFlow
Fosfatos totales	<3.0 ppm
Sílice (máximo)	20 ppm †
TDS	1500 mg/l ††

### AVISO

\* Los sistemas que utilizan la tecnología OneFlow® son efectivos para controlar la formación de sarro-cal dentro del sistema de plomería a niveles de dureza de entrada de hasta 75 granos por galón (1282 mg/l) CaCO<sub>3</sub> de carbonato de calcio. Debido a las variaciones en la química del agua, 30 granos por galón es el máximo de dureza recomendado debido a posibles problemas estéticos relacionados con la formación de residuos de sarro blandos por fuera del sistema de plomería. Se deben realizar pruebas para determinar la aplicación adecuada en la que los niveles de dureza exceden los 30 granos por galón.

\*\*Al igual que con los medios suavizadores de agua convencionales, los medios de OneFlow® necesitan estar protegidos de los niveles excesivos de ciertos metales que pueden cubrir fácilmente la superficie activa y reducir su efectividad con el tiempo. El suministro público de agua potable raras veces, si acaso, presenta problemas, pero si el suministro de agua proviene de un pozo privado, confirme que los niveles de hierro (Fe) y manganeso (Mn) sean menores de 0.3 mg/l y 0.05 mg/l, respectivamente.

### ⚠ ADVERTENCIA

\*\*\*De conformidad con las normas de agua potable de la EPA (Agencia de Protección Ambiental), la concentración máxima permitida de cobre es de 1.3 ppm. Típicamente procedentes de tuberías nuevas de cobre, los altos niveles de cobre pueden contaminar los medios de OneFlow. Las líneas de cobre nuevas deben ser pasivadas durante un mínimo de 4 semanas antes de poner la unidad en servicio. Para aplicaciones con una concentración de cobre mayor a 1.3 ppm, comuníquese con el Servicio Técnico de Calidad de Agua de Watts. Para minimizar aún más cualquier problema relacionado con el exceso de cobre, evite aplicar fundente en exceso en las superficies internas de la tubería y utilice un fundente de baja corrosividad soluble en agua, según se indica en la norma ASTM B813.

### AVISO

† Los medios de OneFlow® no disminuyen la formación de sarro de sílice. Aunque la sílice tiende a tener un efecto menos significativo en la formación de sarro que otros minerales, puede actuar como aglutinante y hacer que las manchas de agua y los residuos de sarro en el exterior del sistema de plomería sean difíciles de quitar. Este límite de 20 ppm es para fines estéticos.

†† Todos los demás contaminantes deberán cumplir los requisitos de la Ley de Agua Potable Segura de la USEPA (Agencia de Protección Ambiental de EE. UU.). Los MCL (niveles máximos de contaminantes) de minerales y de metales específicos, identificados en los requisitos químicos de agua de alimentación publicados de Watts reemplazan la SDWA (Ley del Agua Potable Segura) de la USEPA.

Cuando se sepa que el agua tiene fuertes cantidades de suciedad y residuos, es posible que se requiera filtrarla antes de tratarla con OneFlow®.

## Pesos y dimensiones (nominales - pulgadas)

MODELO	OF1260-30TM		OF1465-50TM		OF1665-75TM	
Peso seco	72 lb	33 kg	89 lb	40 kg	110 lb	50 kg
Peso de servicio	394 lb	179 kg	423 lb	192 kg	515 lb	234 kg
Dimensiones	A - 12	B - 63.7	A - 14	B - 73.1	A - 16	B - 73.1

## Conexiones

MODELO	CONEXIÓN DE ENTRADA/SALIDA
OF1260-30TM	FNPT de PVC de 1-1/4 in (32 mm)
OF1465-50TM*	FNPT de PVC de 2 in (50 mm)
OF1665-75TM*	FNPT de PVC de 2 in (50 mm)

### AVISO

\*Para los modelos OF1465-50TM y OF1665-75TM, se incluyen dos conectores flexibles MNPT de 2 pulgadas (5 cm) y son necesarios para cada instalación de tanque

## Medios de reemplazo

MODELO	FRECUENCIA DE REEMPLAZO
OF1260RM	Los medios deben reemplazarse cada 3 años
OF1465RM	Los medios deben reemplazarse cada 3 años
OF1665RM	Los medios deben reemplazarse cada 3 años

## Flujo de servicio máximo (gpm/lpm) vs. temperatura del agua

SISTEMA	40 °F (4.4 °C)	45 °F (7.2 °C)	50 °F (10 °C)	55 °F (12.8 °C)	60 °F (15.6 °C)	65 °F (18.3 °C)	70 °F (21.1 °C)
OF1260-30TM	20	24	28	30	30	30	30
OF1465-50TM	40	44	48	50	50	50	50
OF1665-75TM	45	51	56	59	63	69	75

## Sistemas de servicio intermitente

MODELO	CAUDAL
OF1260-30TM	30 gpm (114 lpm) a cualquier temperatura
OF1465-50TM	50 gpm (189 lpm) a cualquier temperatura
OF1665-75TM	75 gpm (284 lpm) a cualquier temperatura

El servicio intermitente se define como menos de 2 horas de flujo máximo por cada período de 24 horas. Pueden obtenerse caudales mayores al combinar sistemas en un conjunto.

## Caudal máximo \*\*\*

MODELOS	GPM	LPM
OF1260-30TM	30	144
OF1465-50TM	50	189
OF1665-75TM	75	284

\*\*\* Exceder el flujo máximo puede reducir la efectividad y anular la garantía.

La caída de presión a flujo máximo es inferior a 18 psi.

Lectura de caída de presión tomada con medidores de entrada y salida instalados a una elevación común y con agua de alimentación de 80 grados.

# Instalación

## Ajuste el cabezal del tanque

### AVISO

Controle el cabezal en la parte superior del tanque. Es normal que se afloje durante el envío. Ajuste el cabezal con una llave de correa de ser necesario.

### AVISO

#### Solo modelos OF1465-50TM y OF1665-75TM

\*Es muy importante usar **conexiones flexibles** en las tuberías de entrada y de salida con la orientación horizontal, como se muestra en las imágenes en esta página. Los tanques se expanden y contraen con las fluctuaciones de presión del agua. Los conectores flexibles evitarán fugas en las tuberías y el tanque. El código EDP para los conectores flexibles Watts de 2 pulgadas (5 cm) sugeridos es C515285 (se requieren dos para la instalación, que están incluidos).

#### Modelos OF1260-30TM, OF1465-50TM y OF1665-75TM

Cada vez que se instalan sistemas OneFlow® arriba de la planta baja de un edificio, se recomienda instalar además una **válvula de alivio de vacío** para proteger contra el colapso del tanque en caso de que se drene el sistema de plomería. Si no se utiliza una válvula de alivio de vacío, deberá activarse la derivación del sistema cada vez que se drene el sistema de plomería. El código EDP para la válvula de alivio de vacío sugerida es 0556031 (no se incluye). La válvula de alivio de vacío debe instalarse en la salida del sistema.

### AVISO

- Recomendamos instalar una válvula esférica de unión doble en la entrada y la salida a fin de aislar el tanque para el mantenimiento.
- Deberá montarse una derivación total para que el caudal de servicio total pueda dirigirse en el sistema del modo en que sea necesario para el mantenimiento.

## Instale las tuberías

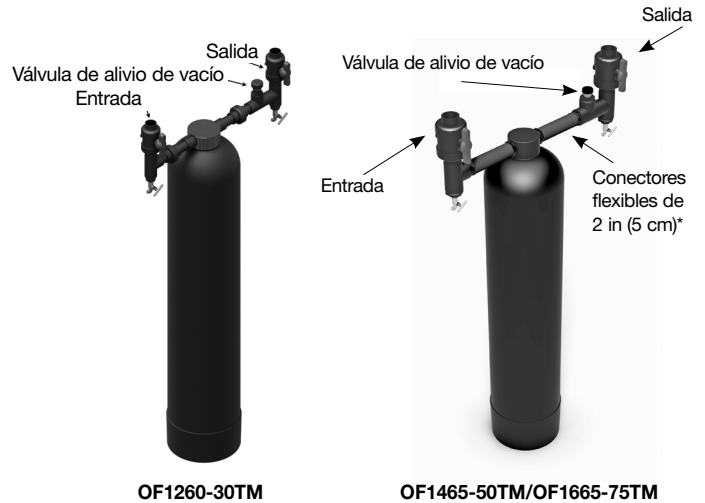
Conecte las tuberías de entrada y salida según sus preferencias y cualquier reglamento local aplicable. Incluya puertos de muestreo/drenaje con conexiones de grifo de manguera en las tuberías de entrada y salida para facilitar el arranque y el servicio.

### ⚠ ADVERTENCIA

#### Apoye la tubería

Las conexiones flexibles de 2 pulg. (5 cm) deberán instalarse horizontalmente en la línea de tubería de agua, no verticalmente. El peso total de las tuberías y las válvulas deben estar sostenidos por estructuras sin soldaduras, soportes para tuberías u otros medios. Las conexiones del tanque no soportan el peso de las tuberías. La imagen a continuación de la instalación de un sistema con múltiples tanques muestra tuberías con soporte adecuado.

## Instalación típica de sistemas de un solo tanque y de varios tanques



## Puesta en marcha

Conecte una manguera a la llave de la manguera en la salida del tanque. Coloque la manguera en un desagüe y abra la llave de la manguera.

Abra lentamente/parcialmente la válvula esférica de suministro de agua. Deje que el tanque se llene lentamente de agua. Cuando aparezca un chorro de agua constante en el drenaje, cierre la válvula de suministro y la llave de la manguera.

Abra las válvulas de entrada y salida del sistema. Transfiera las válvulas de derivación de la posición de Derivación a la de Servicio. Abra un grifo cercano corriente abajo del sistema OneFlow® para liberar aire.

Verifique que no haya fugas. Repare según sea necesario.

### AVISO

Complete la fecha de instalación y coloque la fecha de vencimiento en la etiqueta del producto ubicada en la parte delantera de cada tanque como recordatorio para reemplazar el medio de OneFlow cada 3 años.

El sistema está listo para funcionar.

## Reemplazo del medio

### AVISO

El medio del sistema OneFlow® debe reemplazarse cada (3) años.

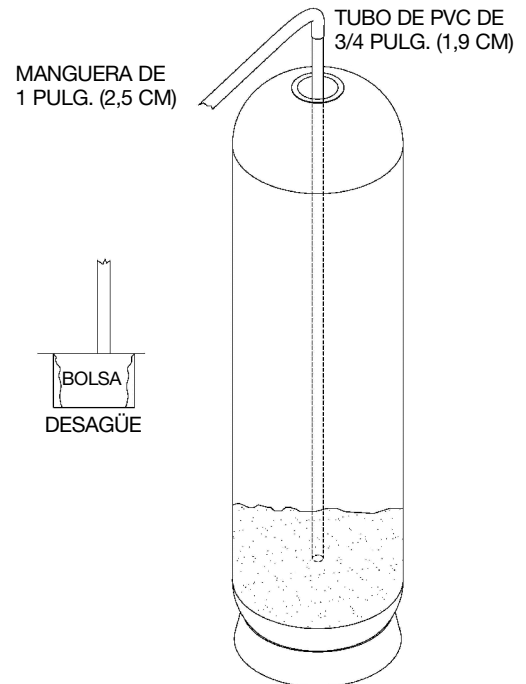
1. Cierre la fuente de suministro principal del tanque OneFlow®.
2. Abra una espita o un grifo corriente abajo para liberar la presión del tanque y de las líneas de distribución antes y después del sistema.
3. Cierre las válvulas de aislamiento que estén inmediatamente antes y después del tanque.
4. Desconecte las uniones de la entrada y la salida del tanque y, luego, desconecte las conexiones flexibles del cabezal.
5. Con una escalera y una llave de correa, quite la conexión del cabezal roscado (gire en dirección contraria a las agujas del reloj) y saque el ensamblaje superior completo, incluido el tamiz de PVC color gris. Enjuague estas piezas en un lavabo cercano o en un balde con agua. No drene el tanque.
6. Quite el tubo de distribución con el tamiz inferior. Enjuague estas piezas en un lavabo cercano o en un balde con agua.
7. Obtenga 6 pies (2 m) de un tubo de sch. 40 PVC de 3/4 pulg. (1,9 cm) y una manguera de polivinilo de 1 pulg. (2,5 cm) La longitud de la manguera dependerá de la distancia hasta el desagüe más cercano. (Ambos pueden obtenerse en Home Depot o en Lowes.)
8. Coloque un extremo del tubo dentro de la manguera e introduzca el otro extremo por la parte superior del tanque hasta el medio. Coloque el otro extremo de la manguera dentro de una bolsa de arroz y coloque la bolsa en el desagüe.
9. Consiga una manguera de jardín y colóquela en el extremo abierto de la manguera de polietileno para llenar la manguera y el tubo con agua. Se expulsará el aire del tanque. Una vez que se haya eliminado todo el aire de la manguera y del tubo, puede comenzar a extraer el medio con un sifón. Coloque la manguera de jardín en la parte superior del tanque y ábrala para mantener el tanque lleno de agua. Mueva el tubo hacia arriba y hacia abajo en el medio para extraerlo completamente. La bolsa de arroz atraparé el medio y permitirá que el agua pase por el desagüe.
10. Intente no ser demasiado agresivo al extraer el medio. Debe extraerlo en cantidades pequeñas. Si deja que todo el tubo/la manguera se llene de medio, se taponará. Debe dejar que el agua salga del tubo paulatinamente.
11. Cuando se haya extraído todo el medio viejo, cierre la manguera de jardín y continúe sifonando hasta que el tanque esté lleno hasta la mitad de agua.
12. Utilizando nuevamente la escalera, reinstale el tubo de distribución con tamiz inferior que se quitó en el paso n.º6. Centre el tubo de distribución en la parte inferior del tanque. Con cuidado, vierta bolsas nuevas de medio que cumplan específicamente con los requisitos de reemplazo del tanque, tratando de que no ingrese medio en el tubo de distribución. Por ejemplo, un sistema OF1665-75TM requiere (x1) medio de reemplazo OF1665RM.
13. Revise la conexión roscada de la parte superior del tanque para asegurarse de que no haya restos de medio en la rosca interna. Si hay restos visibles, límpielos con un paño húmedo.
14. Vuelva a colocar el montaje del cabezal en el tubo de distribución y enrosque el cabezal nuevamente al tanque. Ajuste manualmente hasta la última vuelta en la que una llave de correa puede servirle para ajustar la conexión.
15. Vuelva a conectar las conexiones flexibles y las uniones.
16. Abra la entrada de agua (lentamente) para llenar el tanque.
17. Purgue el aire en un grifo corriente abajo cercano al sistema.
18. Una vez que el tanque esté lleno, espere 4 horas para que el medio se "hidrate".
19. Coloque el tanque en funcionamiento.

## Método alternativo para reemplazar el medio

### Siga los pasos 1 a 6 y luego:

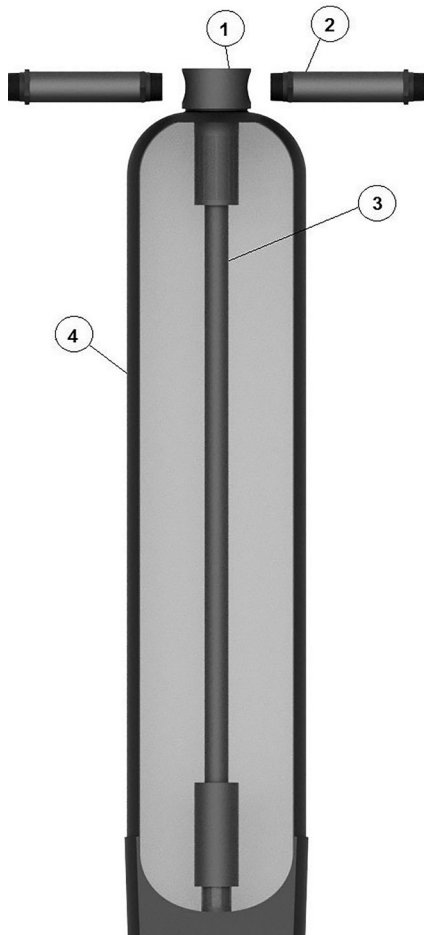
- Elimine el tubo de distribución central y la cesta inferior, y sifone toda el agua del tanque.
- Recueste el tanque e inclínelo boca abajo mientras utiliza la manguera para extraer el medio.
- Cuando haya eliminado todo el medio viejo, vuelva a parar el tanque e instálelo en la posición original. Llene el tanque con agua hasta la mitad de su capacidad.

### Luego prosiga con los pasos 12 a 19.



## Lista de partes

ARTÍCULO	CANT.	N.º EDP	DESCRIPCIÓN
1a	1	7300783	CONJUNTO DEL CABEZAL DEL TANQUE Y CANASTA SUPERIOR (SOLO MODELOS OF1465 Y OF1665)
1b	1	7300898	CONJUNTO DEL CABEZAL DEL TANQUE Y CANASTA SUPERIOR (SOLO MODELO OF1260)
2	1	C515285	MANGUERA FLEXIBLE DE 2 IN X 12 IN (5 CM X 30.5 CM) (SOLO MODELOS OF1465 Y OF1665)
3	1	7300784	CONJUNTO DE TUBO ASCENDENTE Y DISTRIBUIDOR INFERIOR
4a	1	7300899	TANQUE DE 12 IN X 60 IN (30.5 CM X 152.4 CM) PARTE SUPERIOR DE 4" (10 CM) (SOLO MODELO OF1260)
4b	1	7300785	TANQUE DE 14 IN X 65 IN (35.6 CM X 165.1 CM) PARTE SUPERIOR DE 4" (10 CM) (SOLO MODELO OF1465)
4c	1	7300786	TANQUE DE 16 IN X 65 IN (40.6 CM X 165.1 CM) PARTE SUPERIOR DE 4" (10 CM) (SOLO MODELO OF1665)



## Garantía limitada

### Garantía limitada

Watts Regulator Company garantiza sus sistemas de tanque OneFlow® como se describe a continuación:

- El sistema de tanque OneFlow® está garantizado como libre de defectos en materiales y manufactura durante 5 años desde la fecha del envío original.
- El medio OneFlow® está garantizado en cuanto a su rendimiento durante un período de 2 años desde la fecha de la instalación original en tanto se haya instalado y utilizado de acuerdo con las instrucciones del Manual de instalación y uso correspondiente.

Watts Regulator Company garantiza sus sistemas de cartuchos OneFlow® como se describe a continuación:

- El sistema de cartuchos OneFlow® está garantizado como libre de defectos en materiales y manufactura durante 1 año desde la fecha del envío original.
- Los cartuchos OneFlow® están garantizados en cuanto a su rendimiento durante un período de un año desde la fecha de la instalación original en tanto se hayan instalado y utilizado de acuerdo a las instrucciones del Manual de instalación y uso correspondiente.
- No se garantiza el funcionamiento de los cartuchos de repuesto para filtros de carbono por ningún período dado que la vida útil de los cartuchos de repuesto para filtros de carbono varía significativamente de acuerdo a las condiciones y el volumen del agua local.

### Condiciones

1. El sistema OneFlow® debe instalarse en las aplicaciones que reciban agua suministrada por el municipio, que cumpla con las pautas de la EPA, con excepción del aceite y grasa, cobre, fosfato, sílice y cloro. Consulte las advertencias sobre el cobre en la página 2 y el número de condición 5 a continuación.
2. Los fallos en los componentes no deben producirse como consecuencia de uso indebido, incendio, congelamiento u otros factores como fuerzas de la naturaleza, actos de violencia o instalación incorrecta.
3. El equipo debe instalarse y utilizarse de conformidad con los códigos locales relativos a las tuberías y con un suministro de agua aprobado.
4. El uso del equipo está limitado a las temperaturas y presiones de agua que no excedan nuestras especificaciones publicadas.
5. El suministro de agua no debe exceder las 2,0 ppm de cloro. En suministros de agua que excedan los 2,0 ppm de cloro, se requiere tratamiento previo. (Comuníquese con un especialista en tratamiento de agua.)
6. Para realizar cualquier reclamo en relación con los equipos en garantía, se debe proporcionar información, incluidos el número de modelo, el número de serie y la fecha de instalación.
7. Las piezas defectuosas están sujetas a inspección por parte de Watts Regulator Company o cualquier representante autorizado antes de que se asuma el compromiso final de ajuste de garantía.
8. Watts Regulator Company se reserva el derecho de realizar cambios o sustituciones en las piezas o el equipo por materiales de valor o calidad equivalente y de producción vigente en ese momento.

### Limitaciones

Nuestra obligación en virtud de la presente garantía con respecto al tanque o la válvula está limitada al reemplazo o la reparación, a nuestra elección, de cualquier pieza o piezas a nuestra satisfacción con defectos comprobados dentro del período de garantía estipulado anteriormente. Dichas piezas de repuesto serán entregadas al propietario bajo condición FOB (Libre a bordo) en la fábrica más cercana, sin costo alguno, sin incluir gastos de flete y mano de obra local, si existieran.

Nuestra obligación en virtud de la presente garantía con respecto al medio de OneFlow® estará limitada a suministrar repuestos del medio durante dos años desde la fecha de la instalación original. Dichos medios de repuesto serán entregados al propietario bajo condición FOB en la fábrica más cercana, sin costo alguno, sin incluir gastos de flete y mano de obra local, si existieran. Esta garantía no cubre los medios dañados a causa del cloro, otros oxidantes o la contaminación por las condiciones del agua local o cualquier otra operación fuera de los límites indicados en la sección Especificaciones.

LA GARANTÍA AQUÍ ESTABLECIDA SE CONFIERE EXPRESAMENTE Y ES LA ÚNICA GARANTÍA OTORGADA POR WATTS REGULATOR COMPANY CON RESPECTO AL PRODUCTO. WATTS REGULATOR COMPANY NO EXTIENDE NINGUNA OTRA GARANTÍA, EXPLÍCITA O IMPLÍCITA. WATTS REGULATOR COMPANY SE EXIME ESPECÍFICAMENTE A TRAVÉS DE ESTE DOCUMENTO DE CUALQUIER OTRA GARANTÍA, EXPLÍCITA O IMPLÍCITA, INCLUIDAS ENTRE OTRAS, LAS GARANTÍAS IMPLÍCITAS DE APTITUD PARA LA COMERCIALIZACIÓN E IDONEIDAD PARA UN PROPÓSITO EN PARTICULAR.

El recurso descrito anteriormente en esta garantía constituirá el único recurso frente al incumplimiento de la garantía y Watts Regulator Company no será responsable por daños fortuitos, especiales o derivados, incluyendo sin limitación, los gastos de flete y manipulación, la pérdida de ganancias o el costo de reparar o reemplazar otros bienes que se hayan dañado si este producto no funciona correctamente, otros costos resultantes de mano de obra, retrasos, vandalismo, negligencia, contaminación ocasionada por materia extraña, daños por condiciones adversas del agua, productos químicos o cualquier otra circunstancia sobre la cual Watts Regulator Company no tenga control. Esta garantía no tendrá validez en cualquier caso de abuso, uso indebido, aplicación incorrecta o instalación inadecuada del producto.

Algunos estados no permiten limitaciones en la duración de una garantía implícita y otros no permiten la exclusión o limitación de daños fortuitos o derivados. Por lo tanto, es posible que las limitaciones anteriores no correspondan en su caso. Esta garantía le otorga derechos legales específicos y posiblemente usted tenga otros derechos, que varían de un estado a otro. Deberá consultar las leyes estatales correspondientes para poder determinar sus derechos. EN LA MEDIDA EN QUE SEA CONGRUENTE CON LAS LEYES ESTATALES APLICABLES, CUALQUIER GARANTÍA IMPLÍCITA QUE NO SEA RECHAZADA, INCLUIDAS LAS GARANTÍAS IMPLÍCITAS DE APTITUD PARA LA COMERCIALIZACIÓN E IDONEIDAD PARA UN PROPÓSITO EN PARTICULAR, SE LIMITA EN SU DURACIÓN A LOS PERÍODOS DE GARANTÍA APLICABLES ESTIPULADOS ANTERIORMENTE.





---

**EE. UU.:** T: (978) 689-6066 • F: (978) 975-8350 • [Watts.com](http://Watts.com)  
**Canadá:** T: (888) 208-8927 • F: (905) 332-7068 • [Watts.ca](http://Watts.ca)  
**América Latina:** T: (52) 55-4122-0138 • [Watts.com](http://Watts.com)

# Manuel d'installation, d'utilisation et d'entretien

## OneFlow<sup>®</sup> Anti-Scale System

Modèle OF1260-30TM, OF1465-50TM et  
OF1665-75TM Oneflow<sup>®</sup> Systèmes anticalcaires  
Prévention du tartre sans produits chimiques et sans sel

### ⚠ AVERTISSEMENT



Lisez ce manuel AVANT d'utiliser cet équipement.

Le non-respect de toutes les instructions de sécurité et d'utilisation de ce produit peut endommager ce produit ou entraîner d'autres dommages matériels, des blessures graves ou la mort.

Conservez ce manuel pour référence ultérieure.

## Introduction

Le système anti-tartre Watts OneFlow<sup>®</sup> offre une protection contre la formation de tartre sur les surfaces internes de la plomberie. Le système OneFlow<sup>®</sup> peut être installé au point d'entrée d'un bâtiment pour traiter l'eau froide et l'eau chaude. Il peut aussi être installé directement à l'arrivée d'eau d'un chauffe-eau, d'une chaudière ou d'un appareil où se trouve de l'eau, lesquels nécessitent une protection contre l'eau dure.

OneFlow<sup>®</sup> prévient la formation de tartre en transformant les minéraux normaux responsables de la dureté dissous en microparticules cristallines non dissoutes. Ces microparticules cristallines restent suspendues dans l'eau et leur capacité à réagir et à se fixer à des surfaces est fortement réduite comme le font les minéraux responsables de la dureté de l'eau. Par conséquent, le problème de l'accumulation interne de tartre dans les tuyaux, les chauffe-eau, les appareils et le verre est considérablement réduit.

OneFlow<sup>®</sup> n'est pas un adoucisseur d'eau ou un additif chimique (comme les agents anti-tartre ou séquestrants). Il s'agit d'un dispositif de prévention de tartre avec des données de test de laboratoire éprouvées de tiers et des années d'installation résidentielle et commerciale réussie. OneFlow<sup>®</sup> est le dispositif de traitement de l'eau qui fournit efficacement une protection contre le tartre tout en étant une excellente solution de rechange sans sel à l'adoucissement d'eau (échange d'ions) ou aux produits chimiques séquestrants. Les composants chimiques des produits de nettoyage pour la lessive et pour le lavage de vaisselle nécessiteront également des ajustements.

## Avantages de OneFlow<sup>®</sup>

- Prévention et protection du tartre sans produits chimiques – convertit les minéraux responsables de la dureté en cristaux microscopiques inactifs sans danger rendant la technologie OneFlow<sup>®</sup> un choix de rechange efficace par rapport à un adoucisseur d'eau pour la prévention du tartre en raison de la dureté de l'eau.
- Ne nécessite aucun entretien – aucune vanne de régulation.
- Utilise une technologie écologique qui n'emploie pas de sel ni d'autres produits chimiques pour éviter de constamment en ajouter, qui ne requiert ni électricité ni eau usée.
- Améliore l'efficacité de tous les appareils utilisant de l'eau – eau chaude\*\* et eau froide.
- Dimensionnement et installation simples – tout ce que vous devez savoir est la taille du tuyau et le débit de pointe.
- Sécuritaire pour l'aménagement paysager et l'arrosage des pelouses. Pas de frais de plomberie de dérivation.



- Compatible avec tous les systèmes de traitement des eaux usées de la communauté et locaux.
- Système parfait pour les villes ou les collectivités où les adoucisseurs d'eau sont interdits ou limités.
- Pour les applications à haut débit, installer plusieurs réservoirs en parallèle.
- OneFlow<sup>®</sup> ne supprime pas les minéraux ou n'ajoute pas de sodium pour l'alimentation en eau.
- OneFlow peut être installé en tant que pré-traitement aux systèmes commerciaux à l'osmose inverse (veuillez contacter votre représentant Watts pour obtenir un complément d'information).

\*\* Pour les applications d'eau chaude où la température de l'arrivée d'eau est 100 °F à 140 °F (38 °C à 60 °C), veuillez consulter ES-OneFlow-HotWater.



Système testé et certifié par la WQA conformément à la norme NSF/ANSI 61 et à la norme NSF/ANSI 372 pour l'absence de plomb\*.

### ⚠ AVERTISSEMENT

Ne pas utiliser avec de l'eau impropre sur le plan microbiologique ou dont la qualité est inconnue, sans procéder à une désinfection adéquate en amont ou en aval du système.

\*La surface sous eau de ce produit, en contact avec l'eau de consommation, contient en poids moins de 0,25 % de plomb.

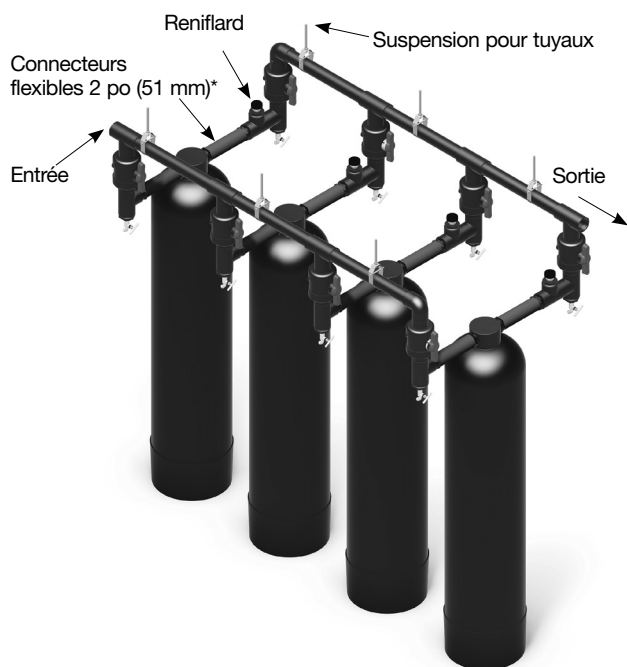
# WATTS<sup>®</sup>

## Caractéristiques techniques

Un système de prévention du tartre OneFlow® sur le principal tuyau de branchement d'eau juste après l'entrée du tuyau dans le bâtiment, mais à la suite des autres dispositifs de sécurité des conduites d'eau pour tout le bâtiment (dispositifs anti-refoulement ou robinets réducteurs de pression) pour répondre efficacement aux problèmes microbiologiques. L'installation d'un système peut également se faire plus en aval pour protéger des équipements spécifiques ou des zones du système de plomberie. Le système doit être installé avec une vanne de dérivation pour permettre l'isolation du ou des réservoirs et pour permettre la dérivation de l'eau non traitée si le service ou le remplacement de médium est nécessaire. La zone d'installation doit avoir une taille appropriée pour le ou les réservoirs qui seront entretenus sans encombre et placés à la verticale sur une surface plane et horizontale.

Le système doit fonctionner par le haut et ne nécessite pas d'eau supplémentaire pour le rétro-lavage, le rinçage ou se régénérer une fois mis en service. Le système ne nécessite aucun additif chimique et ne nécessite pas d'électricité pour fonctionner.

Les systèmes multi-réservoirs doivent être installés en parallèle avec un collecteur en PVC/CPVC pour répondre aux besoins de pointe de débit – voir image ci-dessous.



## Normes

Des essais scientifiques indépendants ont confirmé que la technologie du « Template Assisted Crystallization » (TAC) (Modèle assisté de cristallisation) prévoit une réduction du tartre de plus de 95 %. Les essais ont été effectués sous protocole basé sur l'essai DVGW W512 pour contrôler l'accès de la formation de tartre.

## ⚠ MISE EN GARDE

- Ne pas utiliser dans des systèmes fermés.
- Empêchez le gel du système. Des dommages au réservoir peuvent en découler.
- Le système doit être utilisé en position verticale. Ne pas le déposer pendant le fonctionnement. Le système peut être placé dans n'importe quelle position pour le transport et l'installation, mais il doit être utilisé en position verticale.
- Placez le système sur une surface lisse et plane. Étant donné que le système fonctionne dans un courant ascendant, le mode de lit fluidisé, présentant une surface plane, est plus important qu'avec un adoucisseur ou un filtre de média.
- Une vanne de dérivation doit être installée sur chaque système pour faciliter l'installation et le service.
- Respectez tous les codes du bâtiment ou de plomberie lors de l'installation du système.

## ⚠ AVERTISSEMENT

### Utilisation du OneFlow® avec un autre équipement de traitement de l'eau.

En raison des propriétés uniques de OneFlow®, il existe des exigences particulières pour l'utilisation de OneFlow® en combinaison avec une filtration ou d'autres formes de traitement de l'eau.

1. OneFlow® doit être la dernière étape de la chaîne de traitement. N'installez pas de filtre après le système OneFlow® ou avant un dispositif pour lequel la prévention du tartre est nécessaire. Les filtres « POU » (point d'utilisation), par exemple au charbon, à RO (osmose inversée) ou ultraviolet (UV) sont exemptés de cette exigence.
2. N'appliquez aucun autre antitartre avant ou après OneFlow®.
3. L'ajout de savons, de produits chimiques ou de nettoyage avant ou après le traitement OneFlow, peut annuler les effets du traitement anti-tartre et/ou produire de l'eau avec des résidus lourds ou des salissures potentielles. Toutes réactions négatives causées par l'ajout de savons, ou de produits chimiques ou de nettoyants, relèvent uniquement de la responsabilité de l'utilisateur final.
4. OneFlow n'est pas un adoucisseur d'eau et il n'adoucit pas l'eau – Les produits chimiques du traitement de l'eau (p. ex., anti-tartres, séquestrants, savons, produits chimiques, produits nettoyants, etc.), devront probablement être modifiés pour être compatibles avec le système de traitement de l'eau OneFlow. Les composants chimiques des produits de nettoyage pour la lessive et pour le lavage de vaisselle nécessiteront également des ajustements.

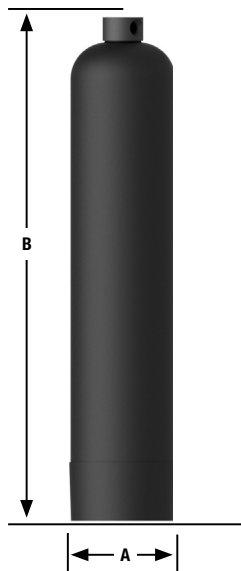
## AVIS

### Des traces pourraient apparaître sur les surfaces de plomberie externe.

Les systèmes du média OneFlow fonctionnent mieux avec une utilisation de l'eau potable en un seul passage SANS additifs chimiques supplémentaires. Selon la dureté, de légères traces de tartre pourraient apparaître. Ces légères traces de tartre peuvent généralement être aisément nettoyées avec un chiffon humide et ne formeront pas de dépôt de tartre dur. Un adoucisseur d'eau pour point d'utilisation (POU) doit être utilisé pour des applications qui requièrent obligatoirement une absence de traces (p. ex., verres à pied, vaisselle).

## Spécifications sur l'équipement

Les systèmes OneFlow® sont complets, autonomes, chargés de médias et prêts à utiliser. Seul un simple raccord d'entrée et de sortie est nécessaire pour l'installation. Examinez les limites de pressions de fonctionnement, de températures et de chimie de l'eau afin d'assurer la compatibilité.



## Exigences relatives à l'état chimique de l'eau d'alimentation

pH	6,5-8,5
Dureté (maximum)	30 grains (513 ppm CaCO <sub>3</sub> ) *
Pression de l'eau	15psi à 100psi (1,03 bar à 6,9 bars)
Température	40 °F à 100 °F (5 °C à 38 °C)
Sans chlore	< 2 ppm
Fer (maximum)	0,3 ppm **
Manganèse (maximum)	0,05 ppm **
Cuivre	1,3 ppm ***
Huile et H <sub>2</sub> S	Doivent être retirés avant OneFlow
Phosphates totaux	< 3,0 ppm
Silice (maximum)	20 ppm †
MDT	1 500 mg/l ††

### AVIS

\* Les systèmes utilisant la technologie OneFlow® sont efficaces pour contrôler la formation de tartre à l'intérieur du système de plomberie à des niveaux initiaux de dureté pouvant atteindre 75 grains par gallon (1282 mg/l) CaCO<sub>3</sub> de carbonate de calcium. Compte tenu des variations de la composition chimique de l'eau, 30 grains par gallon correspond au niveau maximum de dureté recommandé, en raison de problèmes esthétiques potentiels liés à la formation de résidus à faible échelle à l'extérieur du système de plomberie. Des essais doivent être effectués afin de déterminer l'application appropriée lorsque la dureté dépasse 30 grains par gallon.

\*\*Tout comme avec les médias d'adoucissement de l'eau conventionnels, le média de OneFlow® doit être protégé contre des niveaux excessifs de certains métaux qui peuvent facilement recouvrir la surface active, réduisant son efficacité au fil du temps. L'eau fournie par les services publics pose rarement, voire jamais, de problème, mais si l'approvisionnement en eau provient d'un puits privé, confirmez que les niveaux de fer (Fe) et de manganèse (Mn) sont inférieurs à 0,3 mg/l et 0,05 mg/l, respectivement.

### ⚠ AVERTISSEMENT

\*\*\*Conformément aux normes de l'EPA, relatives à l'eau potable, la concentration de cuivre autorisée ne doit pas dépasser 1,3 ppm. Des niveaux élevés de cuivre, provenant généralement de la plomberie en cuivre, peuvent encrasser le média OneFlow. Les conduites de cuivre récentes doivent être passivées pendant au moins 4 semaines avant de faire fonctionner l'appareil. Pour des utilisations où la concentration de cuivre dépasse 1,3 ppm, veuillez communiquer avec l'équipe d'assistance technique de Watts Water. Pour réduire davantage tout problème d'excès de cuivre, évitez d'appliquer un débit trop élevé sur les surfaces intérieures des tuyaux et utilisez un flux soluble à l'eau peu corrosif conforme à la norme ASTM B813.

### AVIS

† Le média OneFlow® ne réduit pas le tartre de silice. Bien que la silice tende à avoir un effet moins important sur la formation de tartre que les autres minéraux, elle peut agir en tant que liant, rendant les taches d'eau et les résidus de tartre à l'extérieur de la tuyauterie difficiles à enlever. Cette limite de 20 ppm est à des fins esthétiques.

†† Tous les autres contaminants doivent satisfaire aux exigences de la USEPA Safe Water Drinking Act (loi sur l'eau potable sécuritaire de l'USEPA). Les MCL des minéraux et métalliques précis, identifiés dans la publication de Watts, Feed Water Chemistry Requirements (Exigences relatives à l'état chimique de l'eau d'alimentation), remplacent le SDWA de l'USEPA.

Une eau qui contient des charges importantes de saletés et de débris peut nécessiter une préfiltration avant l'utilisation de OneFlow®.

## Poids et dimensions (nominal - pouces)

MODÈLE	OF1260-30TM		OF1465-50TM		OF1665-75TM	
Poids sec	72 lb	33 kg	89 lb	40 kg	110 lb	50 kg
Poids à vide	394 lb	179 kg	423 lb	192 kg	515 lb	234 kg
Dimensions	A - 12	B - 63,7	A - 14	B - 73,1	A - 16	B - 73,1

## Raccords

MODÈLE	RACCORDS D'ENTRÉE/SORTIE
OF1260-30TM	1-1/4 po (32 mm) PVC FNPT
OF1465-50TM*	2 po (50 mm) PVC FNPT
OF1665-75TM*	2 po (50 mm) PVC FNPT

### AVIS

\*Pour les modèles OF1465-50TM et OF1665-75TM, deux raccords flexibles de 2 po (50 mm) MNPT sont inclus et requis pour chaque installation de réservoir

## Média de remplacement

MODÈLE	FRÉQUENCE DE REMPLACEMENT
OF1260RM	Le média doit être remplacé tous les 3 ans
OF1465RM	Le média doit être remplacé tous les 3 ans
OF1665RM	Le média doit être remplacé tous les 3 ans

## Débit d'utilisation maximale (en g/m ou équivalent en l/m) par rapport à la température de l'eau

SYSTÈME	40 °F (4,4 °C)	45 °F (7,2 °C)	50 °F (10 °C)	55 °F (12,8 °C)	60 °F (15,6 °C)	65 °F (18,3 °C)	70 °F (21,1 °C)
OF1260-30TM	20	24	28	30	30	30	30
OF1465-50TM	40	44	48	50	50	50	50
OF1665-75TM	45	51	56	59	63	69	75

## Systèmes de service occasionnel

MODÈLE	DÉBIT
OF1260-30TM	30 g/m (114 l/m) à toutes les températures
OF1465-50TM	50 g/m (189 l/m) à toutes les températures
OF1665-75TM	75 g/m (284 l/m) à toutes les températures

Le service occasionnel est défini comme moins de 2 heures de débit maximum par période de 24 heures. Les débits plus élevés peuvent être obtenus en combinant des systèmes dans une étendue.

## Débit maximum \*\*\*

MODÈLES	G/M	L/MIN
OF1260-30TM	30	144
OF1465-50TM	50	189
OF1665-75TM	75	284

\*\*\* Le dépassement du débit maximum peut réduire l'efficacité et annuler la garantie.

La chute de pression au pic de débit est inférieure à 18 psi.

Lecture de la chute de pression prise avec des jauges à l'entrée et à la sortie installées à une hauteur commune, pour une eau d'alimentation de 80 °F (26,7 °C).

# Installation

## Serrer la tête du réservoir

### AVIS

Vérifiez la tête sur le dessus du réservoir. C'est courant qu'elle se desserre pendant le transport. Serrer la tête avec une clé à courroie au besoin.

### AVIS

#### Modèles OF1465-50TM et OF1665-75TM uniquement

\*Il est très important d'utiliser des **raccords flexibles** sur la tuyauterie d'entrée et de sortie en suivant l'orientation horizontale comme illustré sur les images de cette page. Les réservoirs se dilatent et se contractent avec les variations de pression d'eau. Des raccords flexibles empêcheront les fuites au niveau du réservoir et de la tuyauterie. Le code EDP pour le raccord flexible Watts de 2 po (50 mm) recommandé est C515285 (deux sont inclus et requis pour l'installation).

#### Modèles OF1260-30TM, OF1465-50TM et OF1665-75TM

Lorsque les systèmes OneFlow® sont installés au rez-de-chaussée d'un bâtiment, il est conseillé qu'un **reniflard** soit également installé pour protéger contre le risque d'effondrement du réservoir si le système de plomberie venait à être vidé. En l'absence de reniflard, le système doit être placé en dérivation chaque fois que le système de plomberie est purgé. Le code EDP pour le reniflard recommandé est 0556031 (non fourni). Le reniflard doit être installé sur la sortie du système.

### AVIS

- Pour isoler le réservoir pour l'entretien, nous vous conseillons d'installer un robinet à tournant sphérique d'union double à l'entrée et à la sortie.
- Une vanne de dérivation complète doit être installée pour que le débit d'utilisation total puisse être dévié du système pour l'entretien.

## Installation de la tuyauterie

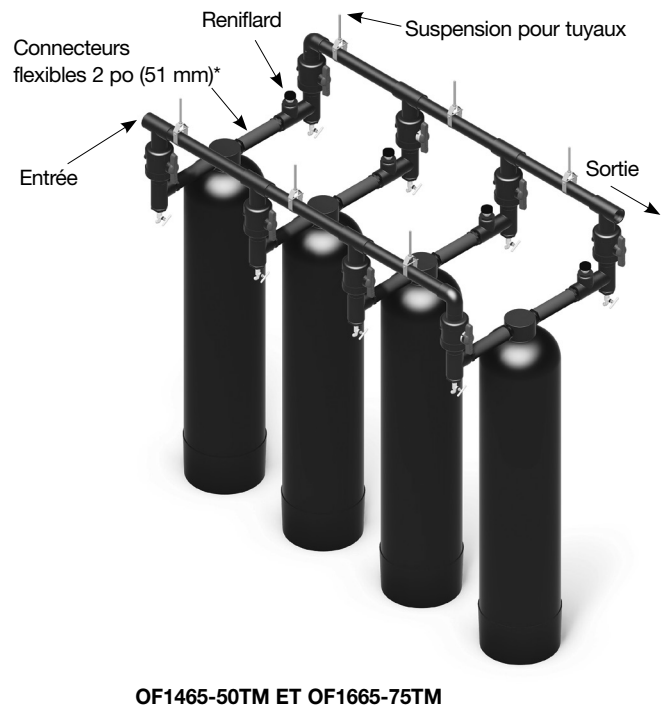
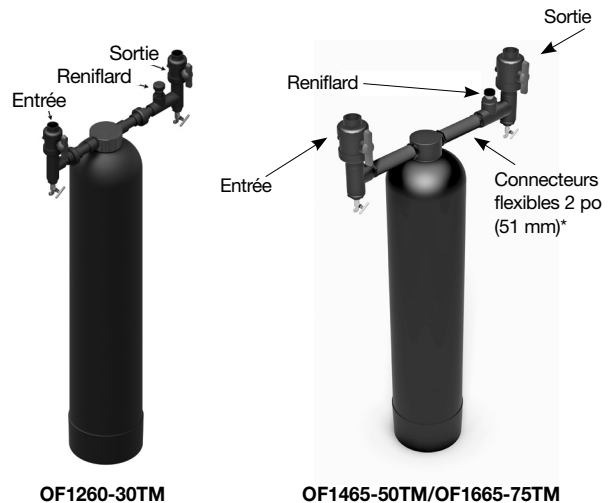
Raccordez la tuyauterie d'entrée et de sortie selon vos préférences, et dans le respect de tout code local applicable. Incluez des raccords d'échantillon/d'évacuation avec des connexions de robinet d'arrosage sur la tuyauterie d'entrée et de sortie afin de faciliter le démarrage et l'entretien.

### ⚠ AVERTISSEMENT

#### Soutenir la tuyauterie

Les raccords flexibles de 2 po (51 mm) doivent être installés horizontalement et non verticalement dans la conduite d'eau. Le poids total de la tuyauterie et des vannes doit être soutenu par des suspensions pour tuyaux Unistrut. Les raccords du réservoir ne peuvent pas supporter le poids de la tuyauterie. L'image ci-dessous pour une installation de système à réservoirs multiples montre la tuyauterie correctement supportée.

## Installation typique pour des systèmes à réservoir unique ou multiple



## Démarrage

Raccordez un tuyau au tuyau d'arrosage sur la sortie du réservoir. Envoyez le tuyau vers un drain et ouvrez le tuyau d'arrosage.

Ouvrez lentement/partiellement la vanne à billes d'approvisionnement en eau. Laissez le réservoir se remplir lentement d'eau. Quand un flux régulier d'eau apparaît au niveau du drain, fermez la vanne d'alimentation et le tuyau d'arrosage.

Ouvrez les vannes d'entrée et de sortie du système. Transférez les vannes de dérivation de contournement à la position de service. Ouvrez un robinet de la conduite d'eau principale près du système OneFlow® pour retirer l'air.

Vérifiez qu'il n'y a pas de fuites. Réparez au besoin.

### AVIS

Remplissez la date d'installation et la date prévue pour la réinstallation du lit sur l'étiquette du produit située sur le devant de chaque réservoir et qui sert de rappel pour le remplacement du médium OneFlow tous les 3 ans.

Le système est maintenant prêt pour le service.

## Remplacement des médias

### AVIS

Votre médium OneFlow® doit être remplacé tous les 3 ans.

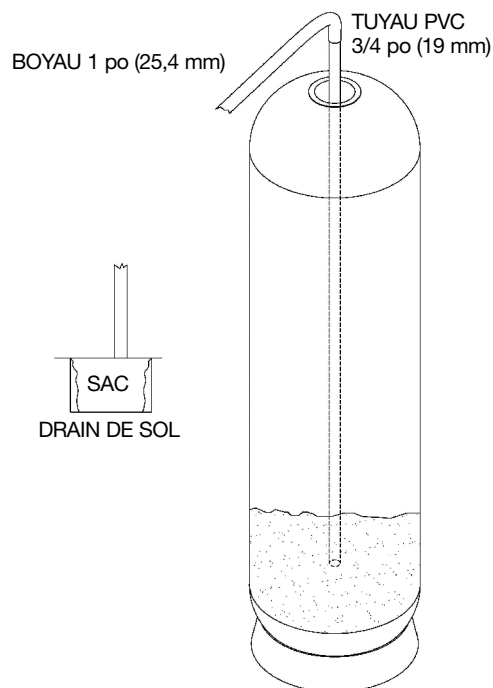
1. Coupez l'alimentation primaire d'alimentation allant au réservoir OneFlow®.
2. Ouvrez un robinet ou un robinet de la conduite d'eau principale pour relâcher la pression dans le réservoir et dans les conduites de distribution avant et après le système.
3. Fermez les vannes d'isolement immédiatement avant et après le réservoir.
4. Débranchez les raccords sur l'entrée et la sortie du réservoir, puis débrancher les connecteurs flexibles de la tête.
5. À l'aide d'un escabeau et d'une clé à courroie, retirez le raccord d'assemblage de tête fileté (en tournant dans le sens inverse des aiguilles d'une montre) et retirez l'assemblage du haut, y compris le filtre gris en PVC. Rincez ces pièces dans un évier ou un seau d'eau à proximité. Ne videz pas le réservoir.
6. Retirez le tube de distribution avec le filtre du bas. Rincez ces pièces dans un évier ou un seau d'eau à proximité.
7. Prenez un tuyau de 6 pieds (1,82 m) en série de 3/4 po (19 mm) 40 PVC et une longueur de tuyau en polyvinyle d'un pouce (25,4 mm). La longueur du tuyau dépend de la distance vers le drain de plancher le plus proche. (On peut les acheter chez Home Depot ou chez Lowes.)
8. Insérez une extrémité du tuyau à l'intérieur du robinet d'arrosage et mettez l'autre extrémité du tuyau dans la partie supérieure du réservoir et vers le bas dans le média. Mettez l'autre extrémité du tuyau à l'intérieur d'un sac de riz et mettez le sac de riz sur le drain de sol.
9. Prenez un tuyau d'arrosage et mettez-le sur l'extrémité ouverte du tuyau de poly pour remplir le tuyau et le tuyau de raccordement avec de l'eau. Des bulles d'air sortiront du réservoir. Une fois que tout l'air est sorti du tuyau et du tuyau de raccordement, vous pouvez commencer à créer un effet de siphon pour enlever les médias. Placez le tuyau d'arrosage dans la partie supérieure du réservoir et ouvrez-le pour garder le réservoir plein d'eau. Poussez le tuyau de haut en bas dans les médias pour extraire le tout. Le sac de riz attrapera les médias et permettra à l'eau d'aller dans le drain.
10. Essayez de ne pas être trop énergique lors de l'extraction des médias. Allez-y lentement, petit à petit. Si vous laissez l'ensemble tuyau/tuyau de remplissage avec les médias, il se bloquera. Vous devez laisser les jets d'eau sortir du tuyau.
11. Lorsque tous les anciens médias sont enlevés, fermez le tuyau d'arrosage et continuez à siphonner jusqu'à ce que le réservoir soit à moitié plein d'eau.
12. En utilisant à nouveau l'échelle, réinstallez le tube de distributeur avec filtre en bas qui a été retiré à l'étape n° 6. Centrez le tube de distribution dans le fond du réservoir. Empêchez tous les médias d'entrer dans le tube de distribution, versez délicatement dans un ou de nouveaux sacs des médias qui répondent spécifiquement à l'exigence de remplacement du réservoir. Par exemple, un système OF1665-75TM nécessite un médium de remplacement (x1) OF1665RM.
13. Inspectez le raccord fileté sur le dessus du réservoir pour vous assurer qu'aucun grain mal fixé de médias soit collé sur les fils internes. S'ils sont visibles, essuyez-les avec un chiffon humide.
14. Remplacez l'ensemble de tête sur le tube de distribution et faites passer l'ensemble de la tête sur le réservoir à nouveau. Serrez à la main jusqu'au dernier tour quand une clé à courroie peut aider à resserrer le raccord.
15. Rebranchez les raccords flexibles et raccords union.
16. Ouvrez l'entrée d'eau d'alimentation (lentement) pour remplir le réservoir.
17. Purgez l'air d'un robinet de la conduite d'eau principale près du système.
18. Une fois que le réservoir est plein, attendez 4 heures pour permettre aux médias de s'« hydrater ».
19. Mettez le réservoir en fonction.

## Autre méthode pour le remplacement des médias

### Suivez les étapes 1 à 6 puis,

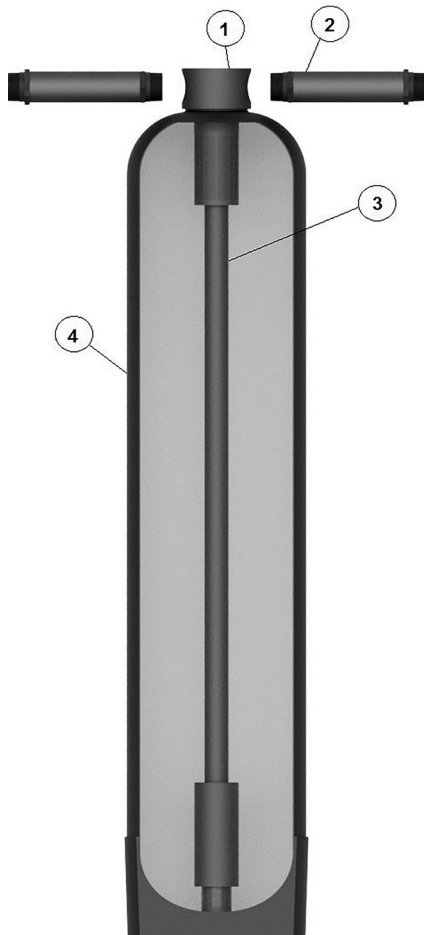
- Retirez toute l'eau du réservoir du tube de distribution central, du panier inférieur et du siphon.
- Posez le réservoir sur son côté et faites pencher le haut du réservoir vers le bas tout en utilisant le tuyau pour vider les médias.
- Lorsque tous les anciens médias sont enlevés, relevez le réservoir et installez-le en position initiale. Remplissez le réservoir de sorte qu'il soit à moitié plein d'eau.

### Puis, continuez les étapes 12 à 19.



## Liste des pièces

ÉLÉMENT	QTÉ	N° EDP	DESCRIPTION
1a	1	7300783	ENSEMBLE DE TÊTE DE RÉSERVOIR ET DE BAKSET SUPÉRIEUR (MODÈLES OF1465 ET OF1665 SEULEMENT)
1b	1	7300898	ENSEMBLE DE TÊTE DE RÉSERVOIR ET DE BAKSET SUPÉRIEUR (MODÈLE OF1260 SEULEMENT)
2	1	C515285	FLEXIBLE 2 x 12 po (51 x 305 mm) (MODÈLES OF1465 ET OF1665 SEULEMENT)
3	1	7300784	ASSEMBLAGE DU DISTRIBUTEUR DU BAS ET DE LA COLONNE
4a	1	7300899	PARTIE SUPÉRIEURE 4 po (101,6 mm) RÉSERVOIR 12 X 60 po (304,8 X 1524 mm) (MODÈLE OF1260 SEULEMENT)
4b	1	7300785	PARTIE SUPÉRIEURE 4 po (101,6 mm) RÉSERVOIR 14 X 65 po (355,6 X 1651 mm) (MODÈLE OF1465 SEULEMENT)
4c	1	7300786	PARTIE SUPÉRIEURE 4 po (101,6 mm) RÉSERVOIR 16 X 65 po (406,4 X 1651 mm) (OF1665 SEULEMENT)



## Garantie limitée

### Garantie limitée

Watts Regulator Company garantit ses systèmes de réservoirs OneFlow® comme suit :

- Le système de réservoir OneFlow® est garanti comme étant exempt de tout défaut, tant au niveau des matériaux utilisés que de la main d'œuvre, et ce, pendant cinq (5) ans à compter de l'expédition initiale.
- Le rendement du média OneFlow® est garanti pendant deux (2) ans à compter de la date de l'installation initiale lorsqu'il est installé et utilisé conformément aux instructions du manuel d'installation et d'utilisation correspondant.

Watts Regulator Company garantit ses systèmes de cartouches OneFlow® comme suit :

- Le système de cartouches OneFlow® est garanti comme étant exempt de tout défaut, tant au niveau des matériaux utilisés que de la main d'œuvre, et ce, pendant un (1) an à compter de l'expédition initiale.
- Les cartouches OneFlow® sont garanties pendant une période d'un (1) an à compter de la date de l'installation initiale lorsqu'elles sont installées et utilisées conformément aux instructions du manuel d'installation et d'utilisation correspondant.
- Les cartouches de filtres de remplacement au charbon ne sont pas garanties pour fonctionner pour une période de temps donnée, car la durée de vie du filtre au charbon varie considérablement en fonction des conditions locales et du volume.

### Conditions

1. Le système OneFlow® doit être installé dans des applications fournies en eau par la municipalité dans le respect des directives de l'EPA, à l'exception de l'huile et de la graisse, du cuivre, du phosphate, de la silice et du chlore. Consultez les avertissements concernant le cuivre en page 2, ainsi que la condition numéro 5 ci-dessous.
2. Toute panne d'un composant ne doit pas découler d'un abus, d'un incendie, du gel ou d'autres phénomènes naturels, actes de violence ou d'une mauvaise installation.
3. L'équipement doit être installé et utilisé en conformité avec les codes de plomberie locaux et sur un approvisionnement en eau approuvé.
4. L'équipement est limité à une utilisation à des pressions d'eau et des températures qui ne dépassent pas les spécifications que nous avons publiées.
5. L'approvisionnement en eau ne doit pas dépasser 2,0 ppm de chlore. Pour l'approvisionnement en eau dépassant 2,0 ppm de chlore, un prétraitement est nécessaire. (Veuillez communiquer avec votre spécialiste du traitement de l'eau.)
6. L'information, y compris le numéro de modèle, le numéro de série et la date d'installation, doit être fournie pour toute réclamation concernant le matériel sous garantie.
7. Les pièces défectueuses sont soumises à une inspection par Watts Regulator Company ou par tout représentant autorisé avant que le recours définitif de la garantie soit exécuté.
8. Watts Regulator Company se réserve le droit d'apporter des modifications ou des substitutions aux pièces ou à l'équipement par du matériel de qualité égale ou de valeur égale et ensuite par du matériel de la production courante.

### Limitations

Notre obligation en vertu de la présente garantie par rapport au réservoir ou à la vanne est limitée à fournir un remplacement pour, ou selon notre option, la réparation de l'ensemble des pièces ou d'une pièce à notre satisfaction qui se révèle/révèlent défectueuse(s) pendant la période de garantie indiquée ci-dessus. Ces pièces de rechange seront livrées au propriétaire F.O.B. (franco à bord) à l'usine la plus proche, sans frais, à l'exclusion des frais de livraison et de main-d'œuvre locale, le cas échéant.

Notre obligation en vertu de cette garantie par rapport au média OneFlow® sera limitée à fournir un remplacement pour le média dans les deux ans à compter de la date d'installation initiale. Ce remplacement sera livré au propriétaire F.O.B. à l'usine la plus proche, sans frais, à l'exclusion des frais de livraison et de main-d'œuvre locale, le cas échéant. Les dommages au média attribuables au chlore, à d'autres comburants ou à l'encrassement provoqué par les conditions locales de l'eau ou toute autre opération en dehors des limites indiquées dans les caractéristiques ne sont pas couverts par la présente garantie.

LA PRÉSENTE GARANTIE EST EXPRESSE ET REPRÉSENTE LA SEULE GARANTIE OFFERTE PAR WATTS REGULATOR COMPANY POUR CE PRODUIT. WATTS REGULATOR COMPANY N'OFFRE AUCUNE AUTRE GARANTIE, EXPRESSE OU TACITE. PAR LA PRÉSENTE, WATTS REGULATOR COMPANY REJETTE SPÉCIFIQUEMENT TOUTE AUTRE GARANTIE, EXPRESSE OU TACITE, NOTAMMENT TOUTE GARANTIE TACITE DE QUALITÉ MARCHANDE OU D'ADAPTATION À UN BUT PARTICULIER.

Le recours décrit dans le premier paragraphe de cette garantie constitue le seul recours à toute violation de la présente garantie. Watts Regulator Company ne saurait être tenue responsable de tout dommage accessoire, spécial ou indirect, y compris, sans s'y limiter : la perte de profits ou le coût afférent à la réparation ou au remplacement d'autres biens qui seraient endommagés par suite du fonctionnement incorrect dudit produit; d'autres coûts résultant de frais de main-d'œuvre, de retards, de vandalisme, de négligence, d'une obstruction causée par des corps étrangers, de dommages causés par une eau impropre, des produits chimiques ou par tout autre événement échappant au contrôle de Watts Regulator Company. La présente garantie est déclarée nulle et non avenue en cas d'usage abusif ou incorrect, d'une mauvaise utilisation ou d'une mauvaise installation du produit.

Certains États n'autorisent pas les limitations de durée d'une garantie tacite ou l'exclusion ou la limitation des dommages accessoires ou indirects. En conséquence, ces limitations pourraient ne pas s'appliquer à votre cas. Cette garantie vous octroie des droits légaux, et il se peut que vous en ayez d'autres qui varient d'un État à l'autre. Vous devez donc prendre connaissance des lois applicables pour votre cas particulier. DANS LA MESURE PERMISE PAR LA LOI APPLICABLE DE L'ÉTAT, TOUTES LES GARANTIES TACITES NE POUVANT PAS ÊTRE REJETÉES, Y COMPRIS LES GARANTIES TACITES DE QUALITÉ MARCHANDE ET D'ADAPTATION À UN BUT PARTICULIER, SONT LIMITÉES EN DURÉE AUX PÉRIODES DE GARANTIE APPLICABLES CI-DESSUS.





---

**É.-U.** : Téléphone : (978) 689-6066 • Télécopieur : (978) 975-8350 • [Watts.com](http://Watts.com)  
**Canada** : Téléphone : (888) 208-8927 • Télécopieur : (905) 332-7068 • [Watts.ca](http://Watts.ca)  
**Amérique latine** : Téléphone : (52) 55-4122-0138 • [Watts.com](http://Watts.com)