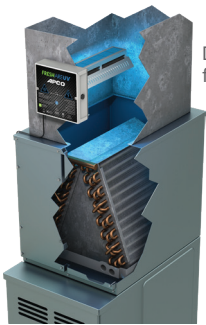


## THE ORIGINAL WHOLE-HOUSE AIR PURIFIER

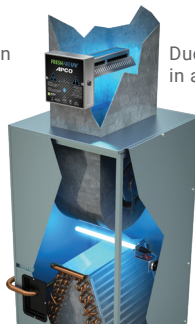
APCO® cleans the air by combining UVC light and activated carbon; two technologies proven to be most effective at killing germs, and removing odors by reducing chemical vapors known as volatile organic compounds (VOCs). Some of them, like formaldehyde and acetone, are known to be toxic.

### FEATURES/BENEFITS

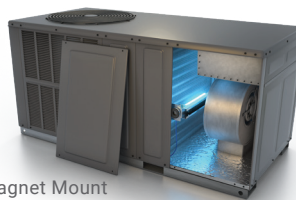
Duct or magnet mount	Whole-house air purification
Easy to install	Neutralizes odors & toxic VOCs
Lifetime carbon cells	Fights mold, bacteria, & viruses
Ozone-free	Improves indoor air quality
Lifetime warranty	Inhibits HVAC mold growth



Duct Mount in furnace



Duct Mount Dual in air handler



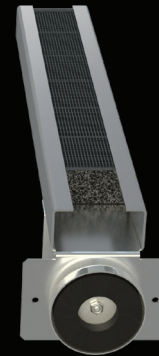
Magnet Mount in package unit



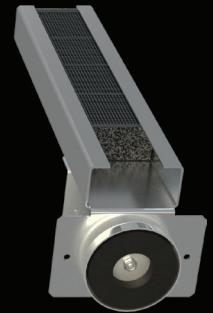
Duct Mount RT (for smaller ducts)



Duct Mount



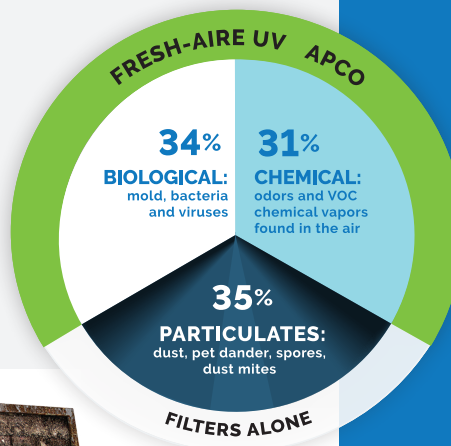
Magnet Mount 15



Magnet Mount 11

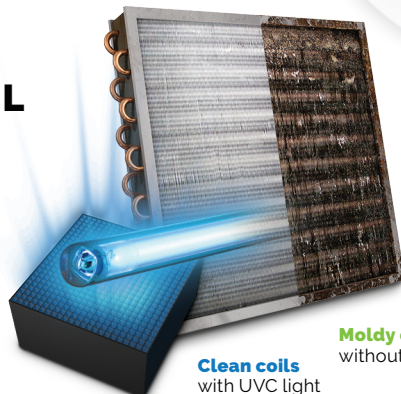
## SAFELY AND EFFECTIVELY TREAT THE OTHER 2/3RDS

Conventional filters are only effective against particulates, like dust. APCO® is proven to safely reduce both biological and chemical contaminants inside the air system and throughout the building. Together, they address 99+% of the contaminants in the air.



## CLEANS THE COIL AND DRAIN PAN

Helps keep the HVAC system running efficiently and extend its life.



Clean coils with UVC light

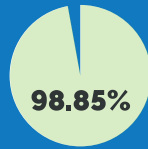
Moldy coils without UVC light



APCO Neutralizes Mold, Bacteria, Viruses, and Allergens

**We are committed to developing and validating our products. APCO Testing achieved incredible results:**

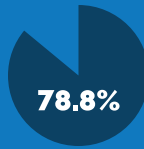
Fresh-Aire UV systems are not intended to diagnose, treat, prevent, or cure any disease.



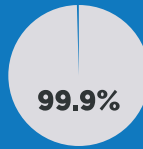
**Bacteria**  
(S.epideridis)\*



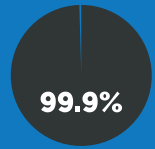
**Viruses**  
(MS2 coliphage)\*



**Mold**  
(A.niger)\*



**Odors**  
(VOCs)\*



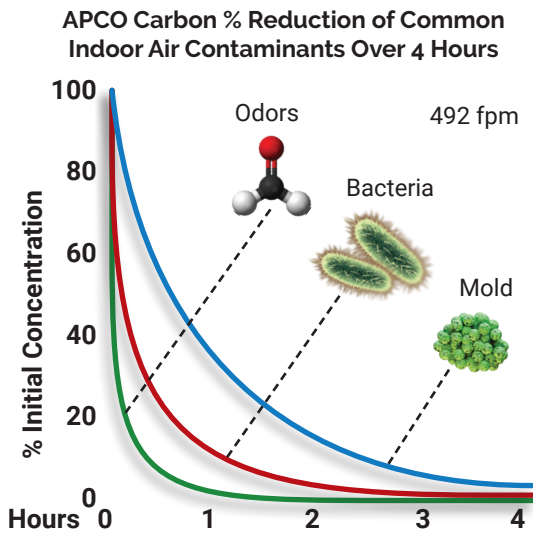
**SARS-CoV-2 virus**  
within 3 seconds of exposure\*\*

\* % Reduction of common indoor air contaminants over 4 hours. Tested at airflow velocity of 492-fpm (0.93m3/sec)

\*\*The SARS-CoV-2 virus test was conducted at a distance of 6" on test surfaces in a laboratory setting.

## TECHNICAL DATA

APCO® utilizes proprietary UV-reactive carbon cells to disinfect the air and neutralize odors and volatile organic compounds (VOCs) in the indoor air. The system uses specially prepared adsorption media to capture VOCs, then, with the help of a 254 nm germicidal UVC lamp, the captured constituents are neutralized through an innovative reaction process which breaks them down into elemental carbon dioxide and water vapor.

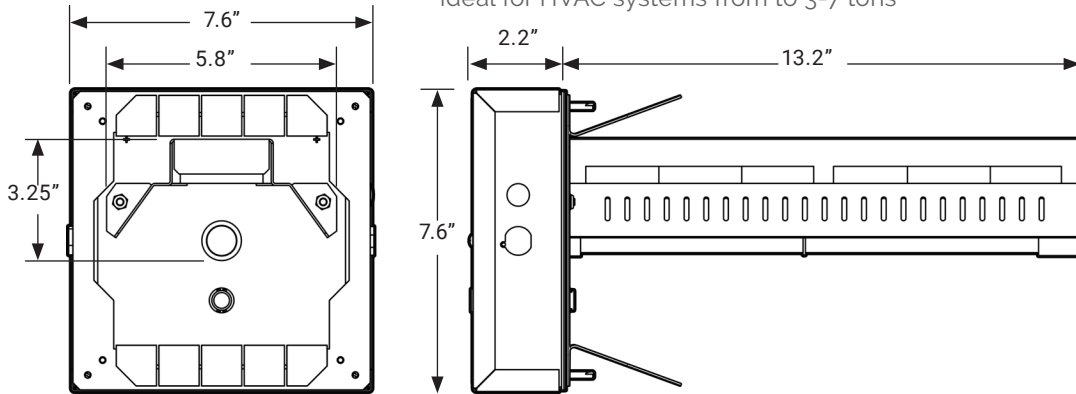


The monolithic carbon cells in APCO® are regenerative. Under normal operation it requires no maintenance and does not need to be replaced. Additionally, the UVC light in APCO® disinfects the moving air stream reducing airborne mold, bacteria, and viruses. The UV light also reduces any build up of mold within the air handler and ducts.

APCO TECHNICAL DATA	
UV Lamp	254 nm Germicidal UVC Spectrum Quartz Hot Filament
Carbon Cell	Advanced Monolithic Adsorptive Carbon cell with proprietary absorption j and proven TiO2 photo-catalyst
Cell per In2	16
Cell Surface Area	250 m2/gm
Bulk Density	1.44 gm/cm2
Pressure Drop	<0.01" w.c. @ 400 FPM
VOC Activity	40-60% absorption per pass
Max Operating Temp.	400 degrees F

**APCO CARBON**

- High or low-voltage internal power supply
- Slotted flanges enhance air flow
- Ideal for HVAC systems from to 3-7 tons

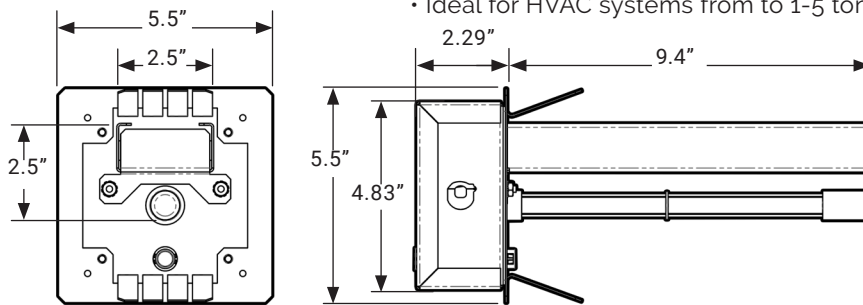


**18-32 VAC MODELS**  
TUV-APCO-ER  
TUV-APCO-ER2  
TUV-APCO-DER  
TUV-APCO-DER2

**120-277 VAC MODELS**  
TUV-APCO-SIP2  
TUV-APCO-DIP2

**APCO RT**

- High or low-voltage remote power supply
- Requires only 10" clearance within the duct
- Ideal for HVAC systems from to 1-5 tons

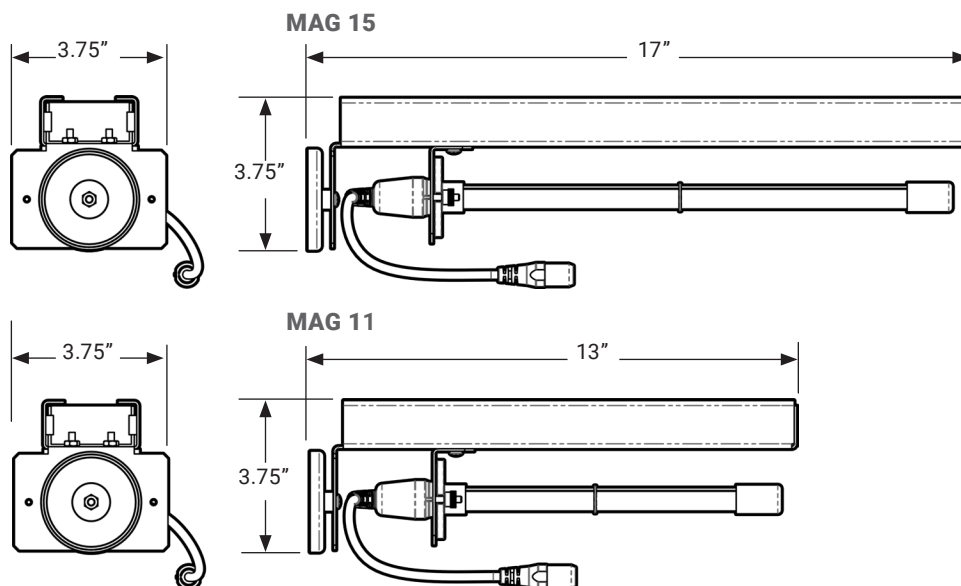


**18-32 VAC RT MODELS**  
TUV-APCO-RT-ER2

**120-277 VAC RT MODELS**  
TUV-APCO-RT-ST2  
TUV-APCO-RT-DT2

**APCO MAG**

- High or low-voltage remote power supply
- Removable magnet for internal mounting
- Ideal for package units



**18-32 VAC MAG 15 MODELS**  
TUV-APCO-MAG15-ER2

**120-277 VAC MAG 15 MODELS**  
TUV-APCO-MAG15-DT2

**18-32 VAC MAG 11 MODELS**  
TUV-APCO-MAG11-ER2

Original APCO Specs		
UV Lamp	254 nm germicidal UVC, quartz hot filament	
Dimensions	Cell & Lamp: 5.8"W x 3.25"H x 13.2"D Enclosure: 7.6"L x 7.6"W x 2.2"D	
ER models Electrical	18-32 VAC, 60 Hz, 0.68 Amps, 16 VA	
SI DI models Electrical	120-277 VAC, 50/60 Hz, 0.41 amp/120V thru 0.18amp/277V	
Pressure Drop	<0.01" w.c. @ 400 FPM	
Warranty	Lifetime for all parts except lamp	
Part Numbers		
18-32 VAC	Replacement Lamp	
TUV-APCO-ER	1 Year Lamp	TUVL-115
TUV-APCO-ER2	2 Year Lamp	TUVL-215
18-32 VAC with 2nd UV Lamp for Coils	Replacement Lamp	
TUV-APCO-DER	1 Year Lamp (2)	TUVL-115, TUVL-115P
TUV-APCO-DER2	2 Year Lamp (2)	TUVL-215, TUVL-115P
120-277 VAC	Replacement Lamp	
TUV-APCO-SI2-P	2 Year Lamp	TUVL-215
120-277 VAC with 2nd UV Lamp for Coils	Replacement Lamp	
TUV-APCO-DI2-P	2 Year Lamps (2)	TUVL-215, TUVL-215P

APCO RT Specs		
UV Lamp	254 nm germicidal UVC, quartz hot filament	
Dimensions	Cell & Lamp: 2.5"W x 2.5"H x 9.4"D Enclosure: 4.83"L x 4.83"W x 2.29"D	
ER models Electrical	18-32 VAC, 60 Hz, 0.68 Amps, 16 VA	
ST DT models Electrical	120-277 VAC, 50/60 Hz, 0.41 amp/120V thru 0.18amp/277V	
Pressure Drop	<0.01" w.c. @ 400 FPM	
Warranty	Lifetime for all parts except lamp	
Part Numbers		
18-32 VAC	Replacement Lamp	
TUV-APCO-RT-ER2	2 Year Lamp	TUVL-211
18-32 VAC with 2nd UV Lamp for Coils	Replacement Lamp	
TUV-APCO-RT-ST2	2 Year Lamp (2)	TUVL-211
120-277 VAC with 2nd UV Lamp for Coils	Replacement Lamp	
TUV-APCO-RT-DT2	2 Year Lamps (2)	TUVL-211, TUVL-215P

APCO Mag Specifications		
UV Lamp	254 nm germicidal UVC, quartz hot filament	
PCO Cell	Advanced Monolithic Adsorptive PCO cell with proprietary absorption media and proven TiO2 photo-catalyst	
Pressure Drop	<0.01" w.c. @ 400 FPM	
Dimensions	APCO MAG11 5.5"W x 4"H x 13"D APCO MAG15 5.5"W x 4"H x 17"D	
Pressure Drop	<0.01" w.c. @ 400 FPM	
Electrical ER Series	18-32 VAC, 60 Hz, 0.68 Amps, 16 VA Low-voltage power-supply	
Electrical ST / DT Series	120-277 VAC, 50/60 Hz, 0.41 amp/120V thru 0.18amp/277V High-voltage power-supply	
Warranty	Lifetime for all parts except lamp	
APCO Mag 11 Part Numbers		
18-32 VAC	Replacement Lamp	
TUV-APCO-MAG11-ER2	2 Year Lamp	TUVL-211P
APCO Mag 15 Part Numbers		
18-32 VAC	Replacement Lamp	
TUV-APCO-MAG15-ER2	2 Year Lamp	TUVL-215P
120-277 VAC	Replacement Lamp	
TUV-APCO-MAG15-DT2	2 Year Lamp (2)	TUVL-215P



THIS DEVICE COMPLIES WITH PART 18 OF THE FCC RULES.

EPA Est. Reg. No. 075179-FL-002



**DESIGNED & ASSEMBLED IN THE U.S.A.**