

## REVOLUTIONARY IAQ TECHNOLOGY

APCO-X is the result of more than a decade of development and is our most advanced indoor air treatment system. It combines UVC light and our proprietary activated carbon technology to safely & effectively neutralize odor-causing VOCs and biological contaminants. It not only treats the air but also helps keep the HVAC system clean and efficient and extend its life.

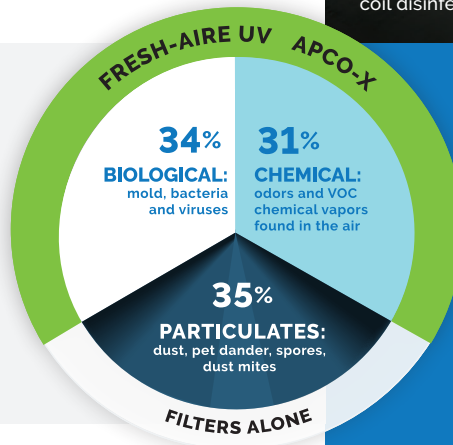
## FEATURES/BENEFITS

<b>Exclusive V-Twin EverCarbon Matrix™ with nanotech antimicrobial coating</b>	Features 65% more effective surface area, improving performance 33% over previous model
<b>Advanced 3-year UVC 254nm quartz lamp</b>	Long lasting, safe and effective
<b>Four-way 360° installation</b>	For up-flow, down-flow & horizontal installations
<b>UL Validated to produce no harmful ozone</b>	Scientifically tested ensuring safety
<b>Continuously treats the whole-system</b>	Treats the air in the entire home all the time and is virtually maintenance free (UVC lamp replacement only)
<b>Translucent polycarbonate housing</b>	Strong, lightweight and reliable
<b>LED status and lamp fault indicator</b>	To provide operational feedback



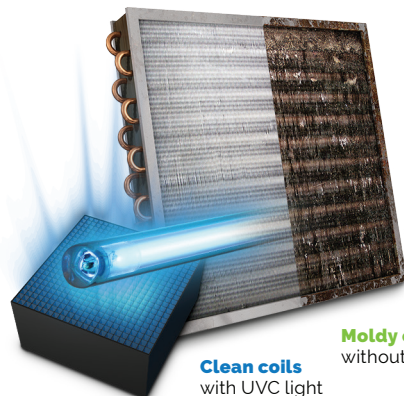
## SAFELY AND EFFECTIVELY TREAT THE OTHER 2/3RDS

Conventional filters are only effective against particulates, like dust. APCO-X is proven to safely reduce both biological and chemical contaminants inside the air system and throughout the building. Together, they address 99+% of the contaminants in the air.



## CLEANS THE COIL AND DRAIN PAN

Helps keep the HVAC system running efficiently and extend its life.



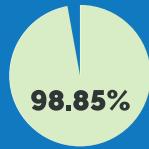
## CLEAN AIR



**APCO-X Neutralizes Mold, Bacteria, Viruses, and Allergens**

We are committed to developing and validating our products. APCO-X Testing achieved incredible results:

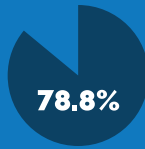
Fresh-Aire UV systems are not intended to diagnose, treat, prevent, or cure any disease.



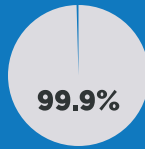
**Bacteria**  
(S.epideridis)\*



**Viruses**  
(MS2 coliphage)\*



**Mold**  
(A.niger)\*



**Odors**  
(VOCs)\*

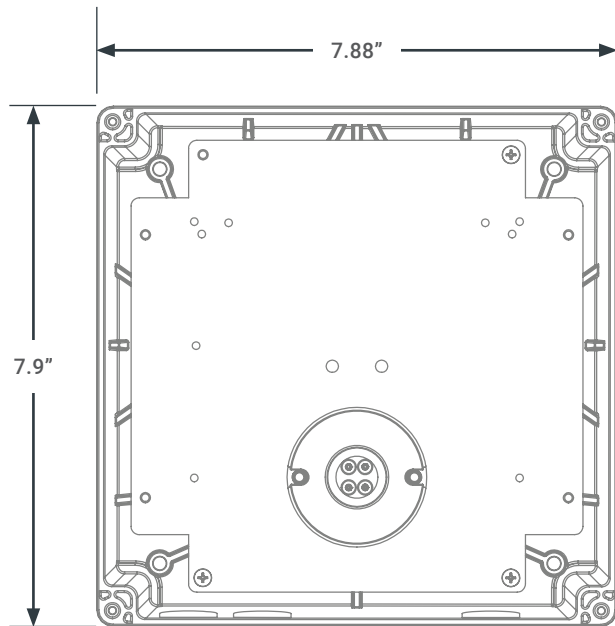


**SARS-CoV-2 virus**  
within 3 seconds of exposure\*\*

\* % Reduction of common indoor air contaminants over 4 hours. Tested at airflow velocity of 492-fpm (0.93m3/sec)

\*\*The SARS-CoV-2 virus test was conducted at a distance of 6" on test surfaces in a laboratory setting.

**SPECS**

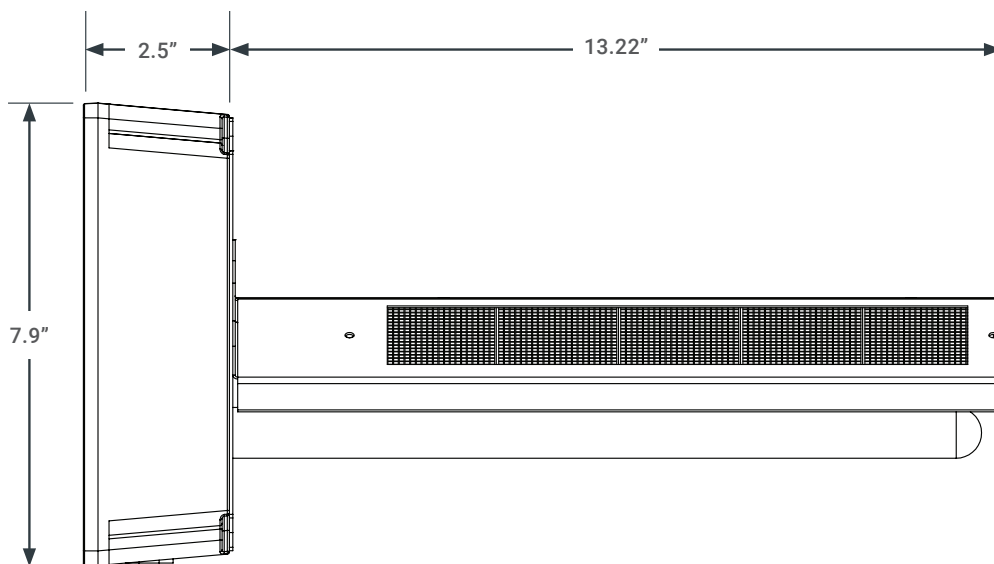


**APCO-X Specs**

<b>UV Lamp</b>	254 nm germicidal UV-C, quartz hot filament
<b>Dimensions</b>	Cell & Lamp: 5.8"W x 3.25"H x 13.2"D Enclosure: 7.6"L x 7.6"W x 2.2"D
<b>ER models Electrical</b>	18-32 VAC, 60 Hz, 0.68 Amps, 16 VA
<b>SI DI models Electrical</b>	110-277 VAC, 50/60 Hz, 0.51 Amps/120V Thru 0.22 Amps/277V
<b>Pressure Drop</b>	<0.01" w.c. @ 400 FPM
<b>Warranty</b>	Lifetime for all parts except lamp

**Part Numbers**

18-32 VAC		Replacement Lamp
TUV-APCOX-ER3	3 Year Lamp	TUVL-315
18-32 VAC with 2nd UV Lamp for Coil		Replacement Lamp
TUV-APCOX-DER3	3 Year Lamp (2)	TUVL-315
110-277 VAC		Replacement Lamp
TUV-APCOX-SI3-P	3 Year Lamp	TUVL-315
110-277 VAC with 2nd UV Lamp for Coil		Replacement Lamp
TUV-APCOX-DI3-P	3 Year Lamp (2)	TUVL-315



**DESIGNED & ASSEMBLED IN THE U.S.A.**