

PARTS CATALOG

CITY MULTI Series Ceiling Cassettes R410A

Indoor unit

[Model Name]

PLFY-EP06NEMU-E
 PLY-EP08NEMU-E
 PLY-EP12NEMU-E
 PLY-EP15NEMU-E
 PLY-EP18NEMU-E
 PLY-EP18NEMU-E1
 PLY-EP24NEMU-E
 PLY-EP30NEMU-E
 PLY-EP36NEMU-E
 PLY-EP48NEMU-E

[Service Ref.]

PLFY-EP06NEMU-E
 PLY-EP08NEMU-E
 PLY-EP12NEMU-E
 PLY-EP15NEMU-E
 PLY-EP18NEMU-E
 PLY-EP18NEMU-E1
 PLY-EP24NEMU-E
 PLY-EP30NEMU-E
 PLY-EP36NEMU-E
 PLY-EP48NEMU-E

Notes:

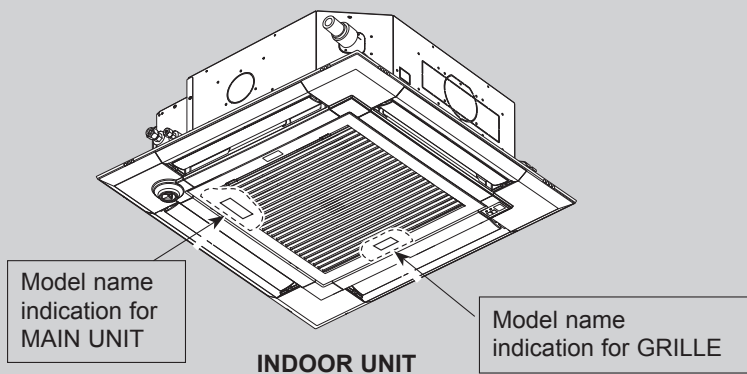
- Parts catalog has been updated in REVISED-EDITION-C.

OCB610 REVISED EDITION-B is void.

Grille model

[Model Name]

PLP-40EAEU
 PLP-41EAEU



CONTENTS

1. SERVICE PARTS LIST 2
2. OPTIONAL PARTS 8

SERVICE MANUAL (OCH610)



**IR WIRELESS REMOTE
CONTROLLER**
(Option)



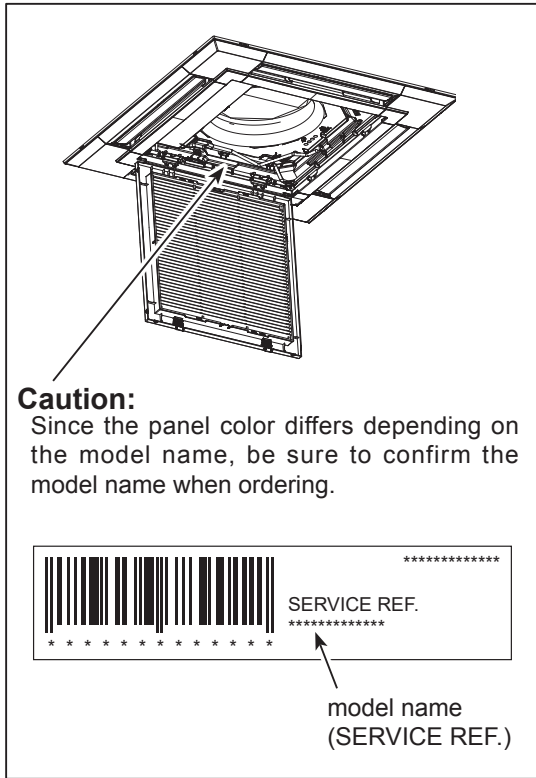
**WIRED REMOTE
CONTROLLER**
(Option)

CITY MULTI

1

SERVICE PARTS LIST

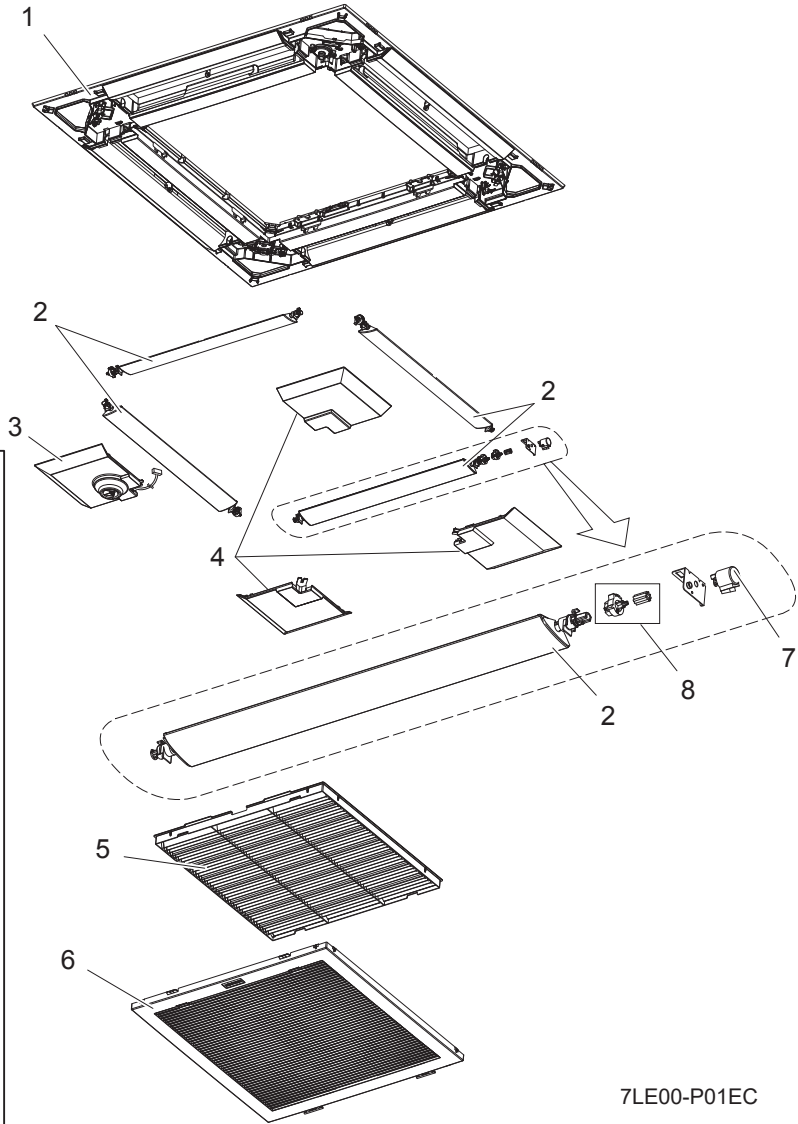
GRILLE PARTS



Caution:
Since the panel color differs depending on the model name, be sure to confirm the model name when ordering.

SERVICE REF.

model name
(SERVICE REF.)

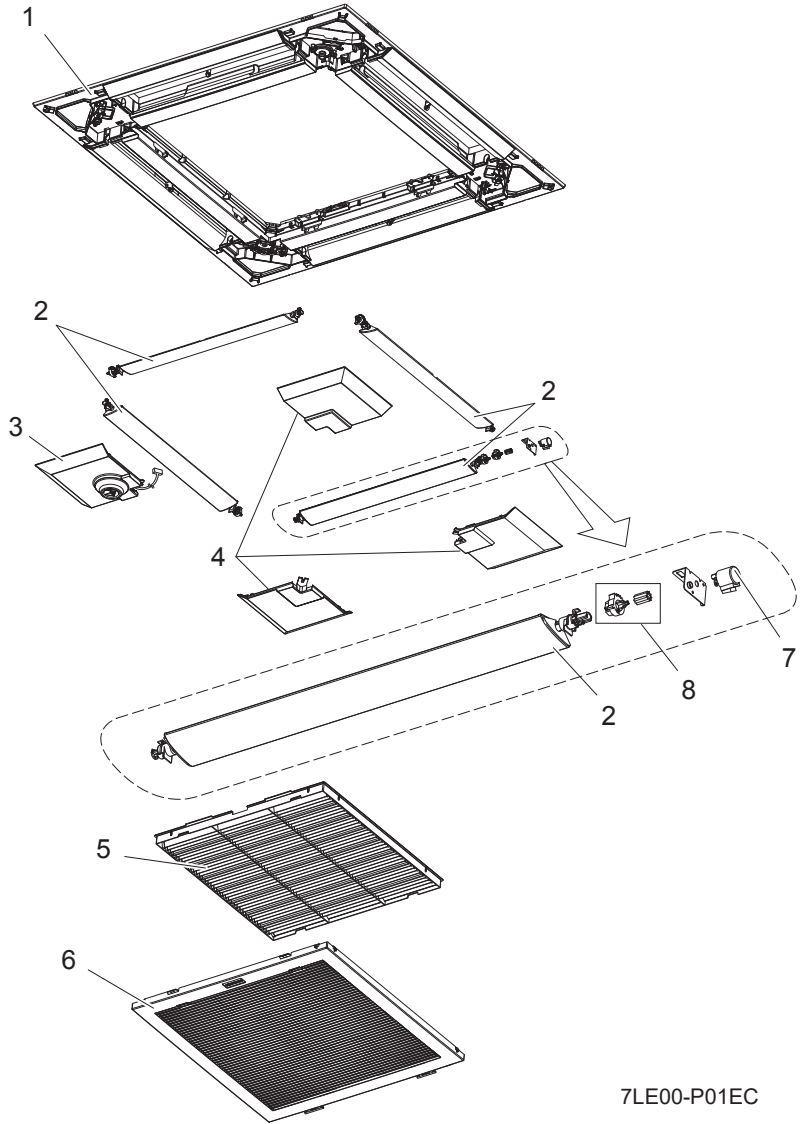


7LE00-P01EC

1. The part quantity below indicates the required number of pieces per unit.
2. The circled No. indicates that the part is not shown in the figure.

No.	Parts No.	Parts Name	PLP-40EAEU	Wiring Diagram Symbol	Remarks [Drawing No.]
1	R 0 1 E 3 8 0 0 3	PANEL ASSY	1		Panel color: Munsell 6.4Y 8.9/0.4
2	R 0 1 E 5 0 0 0 2	VANE & BUSH ASSY	4		Panel color: Munsell 6.4Y 8.9/0.4
3	R 0 1 E 3 1 6 3 8	CORNER PANEL-F	1		Panel color: Munsell 6.4Y 8.9/0.4
4	R 0 1 E 3 0 6 3 8	CORNER PANEL	3		Panel color: Munsell 6.4Y 8.9/0.4
5	R 0 1 E 3 1 5 0 0	L. L. FILTER	1		
6	R 0 1 E 7 7 6 9 1	INTAKE GRILLE	1		Panel color: Munsell 6.4Y 8.9/0.4
7	R 0 1 E 1 9 2 2 3	STEPPING MOTOR	4	MV	
8	R 0 1 E 0 6 0 4 0	GEARS SET	4		

GRILLE PARTS



Caution:
Since the panel color differs depending on the model name, be sure to confirm the model name when ordering.

SERVICE REF.

model name
(SERVICE REF.)

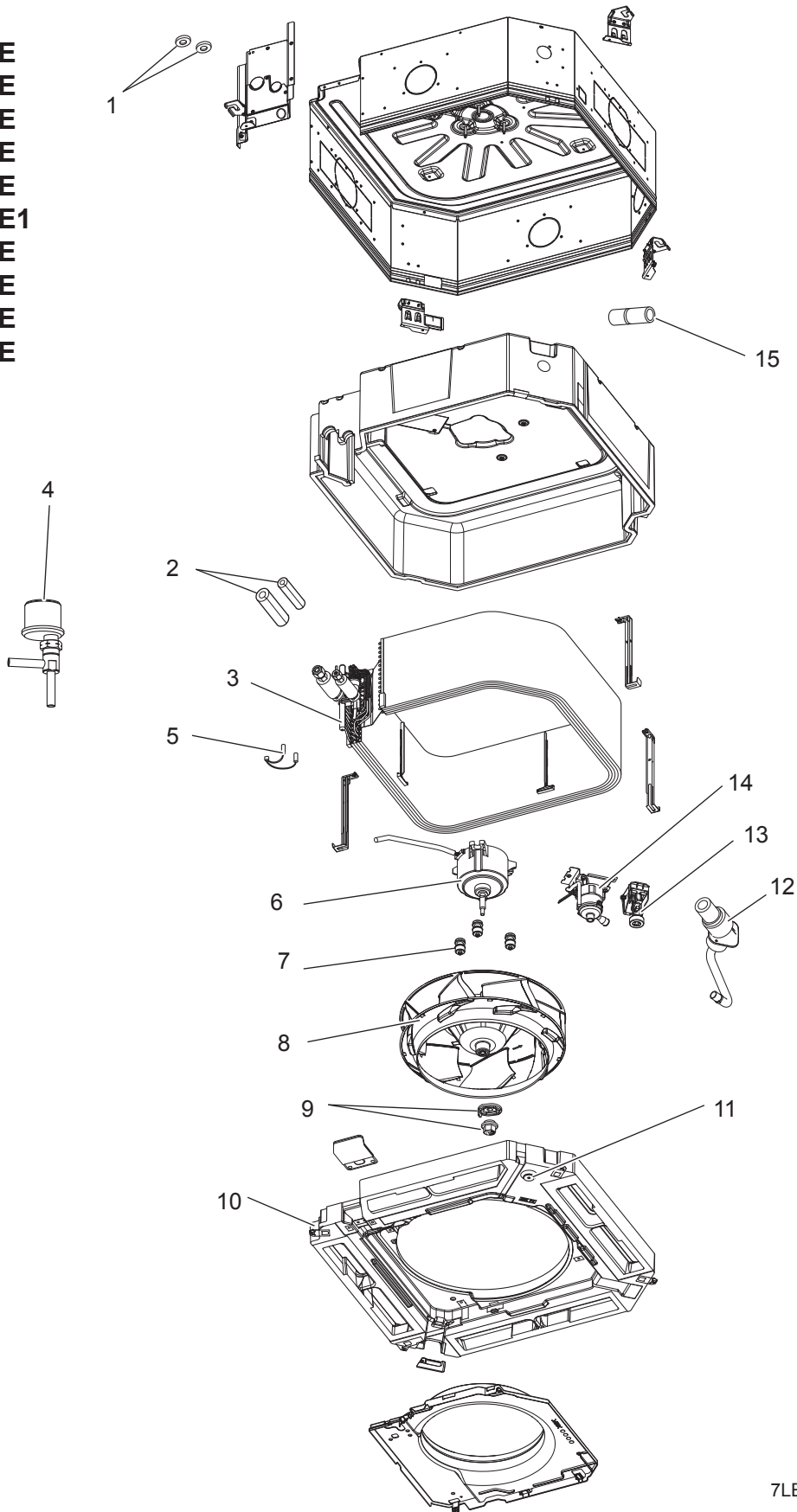
7LE00-P01EC

1. The part quantity below indicates the required number of pieces per unit.
2. The circled No. indicates that the part is not shown in the figure.

No.	Parts No.	Parts Name	PLP-41EAEU	Wiring Diagram Symbol	Remarks [Drawing No.]
1	E 2 7 F 8 5 0 0 3	AIR OUTLET GRILLE	1		Panel color: Munsell 1.0Y 9.2/0.2
2	E 2 7 F 8 5 0 3 7	AUTO VANE & VANE BUSH	4		Panel color: Munsell 1.0Y 9.2/0.2
3	E 2 7 F 8 6 9 7 5	CORNER PANEL (i-See sensor)	1		Panel color: Munsell 1.0Y 9.2/0.2
4	E 2 7 F 8 5 9 7 5	CORNER PANEL	3		Panel color: Munsell 1.0Y 9.2/0.2
5	E 2 7 F 8 5 1 0 0	AIR FILTER	1		
6	E 2 7 F 8 5 0 1 0	INTAKE GRILLE	1		Panel color: Munsell 1.0Y 9.2/0.2
7	E 2 7 1 0 3 3 0 3	VANE MOTOR	4	MV	
8	E 2 7 F 8 5 0 3 1	GEAR (VANE & S/M)	4		

STRUCTURAL AND FUNCTIONAL PARTS

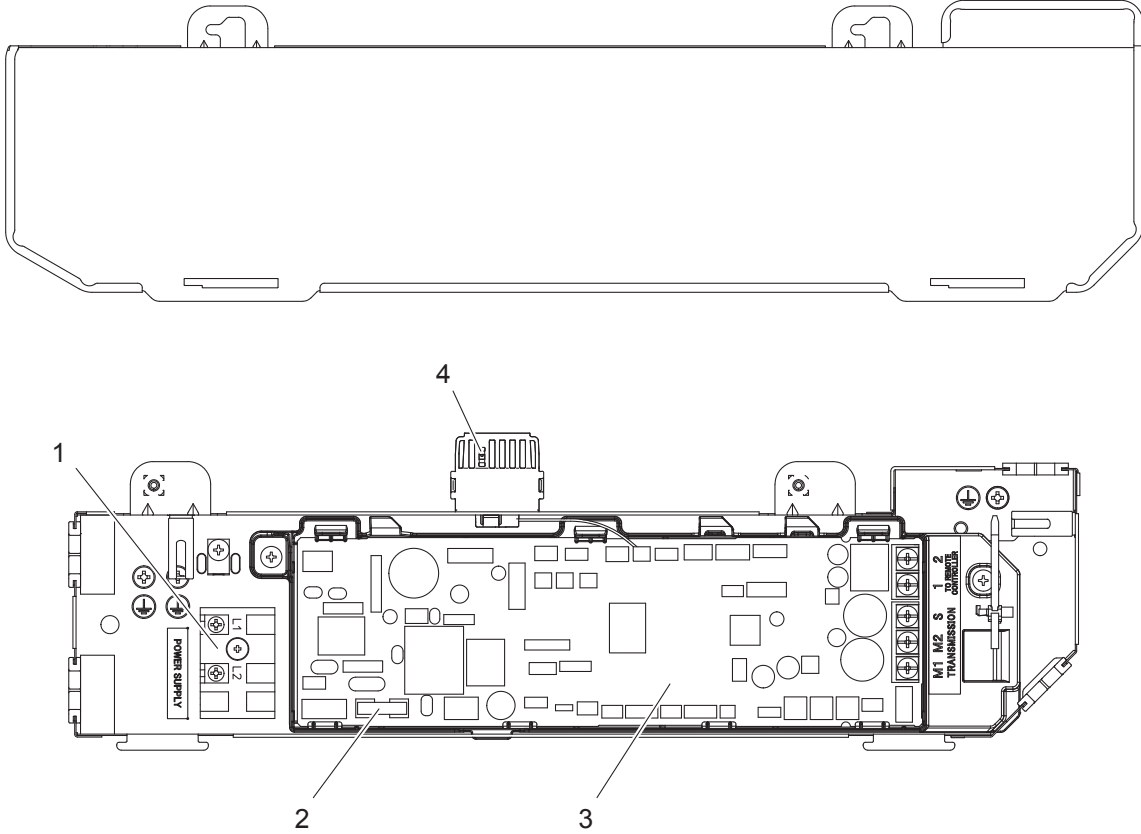
PLFY-EP06NEMU-E
PLFY-EP08NEMU-E
PLFY-EP12NEMU-E
PLFY-EP15NEMU-E
PLFY-EP18NEMU-E
PLFY-EP18NEMU-E1
PLFY-EP24NEMU-E
PLFY-EP30NEMU-E
PLFY-EP36NEMU-E
PLFY-EP48NEMU-E



1. The part quantity below indicates the required number of pieces per unit.
2. The circled No. indicates that the part is not shown in the figure.

No.	Parts No.	Parts Name											Wiring Diagram Symbol	Remarks [Drawing No.]
			PLFY-EP06NEMU-E	PLFY-EP08NEMU-E	PLFY-EP12NEMU-E	PLFY-EP15NEMU-E	PLFY-EP18NEMU-E	PLFY-EP18NEMU-E1	PLFY-EP24NEMU-E	PLFY-EP30NEMU-E	PLFY-EP36NEMU-E	PLFY-EP48NEMU-E		
1	R 01 E 15 097	WASHERS SET	1	1	1	1	1	1	1	1	1	1		
2	R 01 E 10 660	PIPE COVERS SET	1	1	1	1	1	1	1	1	1	1		
3	T 7W L 00 480	HEAT EXCHANGER	1	1	1	1	1							
3	T 7W L 02 480	HEAT EXCHANGER						1						
3	T 7W L 01 480	HEAT EXCHANGER							1					
3	R 01 L 86 480	HEAT EXCHANGER								1	1	1		
4	R 01 L 00 401	LEV-4/EFM	1	1	1	1	1	1	1				LEV	
4	R 01 L 01 401	LEV-8/EFM								1	1	1	LEV	
5	T 7W R 00 202	THERMISTOR-L/G	1	1	1	1	1	1	1	1	1	1	TH22/TH23	
6	T 7W L 01 220	FAN MOTOR-S	1	1	1	1	1						MF	
6	T 7W L 02 220	FAN MOTOR-L						1	1	1	1	1	MF	
7	R 01 E 14 105	RUBBER MOUNT	3	3	3	3	3	3	3	3	3	3		
8	R 01 E 46 114	TURBO FAN /D8	1	1	1	1	1	1	1	1	1	1		
9	R 01 12K 097	CAP NUT - M8 & WASHER	1	1	1	1	1	1	1	1	1	1		M8
10	T 7W E 41 529	DRAIN PAN ASSY	1	1	1	1	1	1	1	1	1	1		
11	R 01 A 00 524	DRAIN PLUG	1	1	1	1	1	1	1	1	1	1		
12	R 01 E 10 523	DRAIN HOSE & SOCKET	1	1	1	1	1	1	1	1	1	1		
13	R 01 E 15 272	FLOAT SENSOR ASSY	1	1	1	1	1	1	1	1	1	1	FS	
14	R 01 E 19 355	DRAIN PUMP ASSY	1	1	1	1	1	1	1	1	1	1	DP	
15	T 7W E 07 523	DRAIN SOCKET(ACC.)	1	1	1	1	1	1	1	1	1	1		

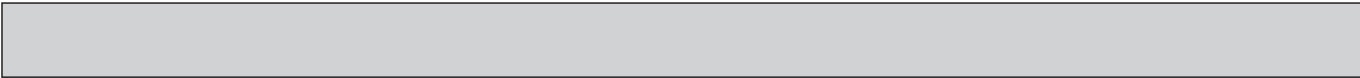
ELECTRICAL PARTS



7LE00-E00EM

1. The part quantity below indicates the required number of pieces per unit.
2. The circled No. indicates that the part is not shown in the figure.

No.	Parts No.	Parts Name												Wiring Diagram Symbol	Remarks [Drawing No.]
			PLFY-EP06NEMU-E	PLFY-EP08NEMU-E	PLFY-EP12NEMU-E	PLFY-EP15NEMU-E	PLFY-EP18NEMU-E	PLFY-EP18NEMU-E1	PLFY-EP24NEMU-E	PLFY-EP30NEMU-E	PLFY-EP36NEMU-E	PLFY-EP48NEMU-E			
1	T 7 W E 0 0 2 4 6	T.B./L1.L2	1	1	1	1	1	1	1	1	1	1	1	TB2	2P (L1, L2)
2	R 0 1 E 1 4 2 3 9	FUSE 6.3A 250V	1	1	1	1	1	1	1	1	1	1	1	FUSE	6.3A, 250V
3	T 7 W M 0 5 3 1 0	CONTROLLER BOARD	1	1	1	1	1	1	1	1	1	1	1	I.B	
4	T 7 W S 0 0 2 0 2	THERMISTOR (ROOM)	1	1	1	1	1	1	1	1	1	1	1	TH21	



2**OPTIONAL PARTS**

Parts name	Parts No.
MULTI FUNCTION CASEMENT	PAC-SJ41TM-E
AIR OUTLET SHUTTER PLATE	PAC-SJ37SP-E
HIGH EFFICIENCY FILTER (PAC-SH53TM-E is required in using this optional part.)	PAC-SH59KF-E
FLANGE FOR FRESH AIR INTAKE	PAC-SH65OF-E
WIRED REMOTE CONTROLLER (MA REMOTE CONTROLLER)	PAR-40MAA
WIRED REMOTE CONTROLLER (SIMPLE MA REMOTE CONTROLLER)	PAC-YT53CRAU
WIRED REMOTE CONTROLLER (ME REMOTE CONTROLLER)	PAR-U01MEDU
GRILLE (3D i-See sensor panel) [Panel color: Munsell 6.4Y 8.9/0.4]	PLP-40EAEU
GRILLE (3D i-See sensor panel) [Panel color: Munsell 1.0Y 9.2/0.2]	PLP-41EAEU
WIRELESS REMOTE CONTROLLER	PAR-FL32MA
WIRELESS SIGNAL RECEIVER (CORNER PANEL)	PAR-SR4LU-E

mitsubishi electric corporation

HEAD OFFICE: TOKYO BUILDING, 2-7-3, MARUNOUCHI, CHIYODA-KU, TOKYO 100-8310, JAPAN

©Copyright 2016 MITSUBISHI ELECTRIC CORPORATION
Issued: Dec. 2019 No. OCB610 REVISED EDITION-C
Issued: Dec. 2018 No. OCB610 REVISED EDITION-B
Issued: Mar. 2018 No. OCB610 REVISED EDITION-A
Published: Mar. 2016 No. OCB610
Made in Japan

Specifications are subject to change without notice.