

# **\*WSVC / \*WSVX SERIES WATER SOURCE HEAT PUMPS**

## **INSTALLATION, OPERATION & MAINTENANCE INSTRUCTIONS**

### **\*\*WARNING TO INSTALLER, SERVICE PERSONNEL AND OWNER\*\***

Altering the product or replacing parts with non authorized factory parts voids all warranty or implied warranty and may result in adverse operational performance and/or a possible hazardous safety condition to service personnel and occupants. Company employees and/or contractors are not authorized to waive this warning.




**NOTE:** Read the entire installation instruction manual before starting the installation.

### **SAFETY CONSIDERATIONS**

Improper installation, adjustment, alteration, service, maintenance, or use can cause explosion, fire, electrical shock, or other conditions which may cause personal injury or property damage. Consult a qualified licensed installer, service agency, or your distributor for information or assistance. The qualified licensed installer or service agency must use factory-authorized kits or accessories when servicing this product. Refer to the individual instructions packaged with kits or accessories when installing.

Follow all safety codes. Wear safety glasses and work gloves. Use quenching cloth for brazing operations. Have fire extinguisher available. Read these instructions thoroughly and follow all warnings or cautions attached to the unit. Consult local building codes and National Electrical Code (NEC) for special requirements.

Recognize safety information. This is the safety-alert symbol . When you see this symbol on the unit and in instruction manuals, be alert to the potential for personal injury.

Understand the signal words DANGER, WARNING, CAUTION, and NOTE. These words are used with the safety-alert symbol. DANGER identifies the most serious hazards which will result in severe personal injury or death. WARNING signifies hazards which could result in personal injury or death. CAUTION is used to identify unsafe practices which would result in minor personal injury or product and property damage. NOTE is used to highlight suggestions which will result in enhanced installation, reliability, or operation.



**WARNING:** Before installing or servicing unit, always turn off all power to unit. There may be more than one disconnect switch. Turn off accessory heater power if applicable. Electrical shock can cause personal injury or death.

L2584 Rev. D 11/22

## GENERAL

The manufacturer assumes no responsibility for equipment installed in violation of any code requirement.

These instructions give information relative to the installation of these heat pump units only. For other related equipment refer to the proper instructions.

Material in this shipment has been inspected at the factory and released to the transportation agency in good condition. When received, a visual inspection of all cartons should be made immediately. Any evidence of rough handling or apparent damage should be noted on the delivery receipt and the material inspected in the presence of the carrier's representative. If damage is found, a claim should be filed against the carrier immediately.

If the equipment is not needed for immediate installation upon arrival at the job site then it should be left in its shipping carton and stored in a clean, dry location. Units must be stored or moved in the normal upright position at all times. If stacking of units is required, do not stack more than two units high.

Installation and servicing of this equipment can be hazardous due to the system pressure and electrical components. Only a qualified licensed installer or service agency should install, repair or service the equipment. Untrained personnel can perform basic functions of maintenance such as replacing filters.

Standard fluorocarbon refrigerant safety and handling practices should be followed when handling R-410A. Avoid skin and eye contact with liquid refrigerant. Work in well ventilated areas since vapors are heavier than air and might concentrate near the floor or in low areas. Additionally R-410A is non-flammable at normal room temperature, but can become combustible if mixed with air at elevated temperature and/or pressure. Do not mix R-410A with air for leak testing or other purposes. Instead use a mixture of R-410A and nitrogen for leak testing.

When servicing this equipment, because of the higher pressures, make sure the reversing valve, expansion device, filter drier and other components are specifically designed for R-410A.

In keeping with its policy of continuous progress and product improvement, the manufacturer reserves the right to discontinue or change without notice any or all specifications or designs without incurring obligations.



**CAUTION: R-410A systems operate at higher pressures than standard R-22 systems. Do not use R-22 service equipment or components on R-410A equipment.**

---



**WARNING: R-410A can become combustible if mixed with air at elevated temperature and/or pressure. Failure to follow this warning could result in property damage and personal injury or death.**

---

## INTRODUCTION

Model nomenclature for the Water-to-Air Heat Pumps described in this installation instruction are as follows:

**WSVC** - Vertical, Single Package Water Source Heat Pump.

**WSVX** -Same, but with permanent magnet DC motor.

The WSV\* Water-to-Air Heat Pumps are safety agency listed(see unit label) for zero clearance to combustible materials and are designed for vertical applications with nominal refrigerant capacities of 18,000 through 59,000 BTUH. The WSV\* series uses scroll or reciprocating compressors with refrigerant R-410A to achieve high efficiency levels, quiet operation and reliable performance. WSV\* units are heat pump only units. No auxiliary electric heat or emergency heat is available with this unit. Safety devices are built into each unit to provide the maximum system protection possible when properly installed and maintained. Unit voltages offered are 230V, 265V and 460V with PSC or permanent magnet DC fan motors.

These units are designed to operate with the entering liquid temperature between 50 and 100 degrees F. With the extended range option, the heat pump can operate with entering liquid temperatures between 30 and 100 degrees F.



**CAUTION: For all applications, 50 degree F minimum entering water temperature and sufficient water flow is required to prevent freezing. Antifreeze solution is required for any application with entering water below 50 degree F.**

---

Cooling Tower/Boiler and Geo Thermal applications should have sufficient antifreeze solution when required to protect against extreme conditions and equipment failure. Frozen water coils are not covered under warranty.



**CAUTION: This unit must not be operated under any circumstances without an air filter in place or during building construction due to excessive airborne dust and debris. Failure to follow this caution could result in equipment damage and void unit warranty.**

---

## INSTALLATION

Installation of this Water-to-Air Heat Pump should only be performed by a qualified licensed installer or service agency to ensure proper installation. The licensed installer must adhere strictly to all local and national code requirements pertaining to the installation of this equipment.

All WSV\* units are agency listed for installation with zero inches clearance to combustible materials. This includes the unit cabinet, supply grilles or connecting ducts if installed.

### INSTALLATION PRECAUTIONS

No wiring or other work should be attempted without first ensuring that the heat pump is completely disconnected from the power source and locked out. Always verify that a good ground connection exists prior to energizing any power sources.

Always review the nameplate on each unit for proper voltage and control configurations. This information is determined from the components and wiring of the unit and may vary from unit to unit.

When soldering or brazing it is recommended to have a fire extinguisher readily available. When soldering close to valve packages or other components, heat shields or wet rags are required to prevent damage.

Units must be installed level to ensure proper drainage and operation.

Be sure that the drain pan is free from foreign construction material prior to start up.

Check filter media installation to ensure that it is installed correctly. Use the directional arrows or other information on the filter to determine the proper flow direction.

Ensure that the air distribution system does not exceed the external static pressure rating of the unit.



**CAUTION:** As with any mechanical equipment, personal injury can result from sharp metal edges, etc., therefore, care should be taken when removing and working on metal parts.

---



**CAUTION:** Extreme caution must be taken to ensure that no internal damage will result if screws or holes are drilled into the cabinet. Failure to follow this CAUTION could result in product or property damage and minor personal injury.

---

### LOCATION / MOUNTING

Locate the unit in an area that allows easy removal of the filter and access panels and has enough room for service personnel to perform maintenance or repair. Provide sufficient room to make water, electrical and duct connections. If the unit is located in a confined space then provisions must be made for return air to freely enter the space. These units are not approved for outdoor installation therefore they must be installed inside the structure. **Do not locate in areas subject to freezing or where humidity levels could cause cabinet condensation (such as unconditioned spaces subject to 100% outside air).**

WSV\* units are available in left and right return air configurations. Units should be mounted level on a 3/8" to 1/2" vibration absorbing pad slightly larger than the base to minimize vibration transmission to the building structure. It is not necessary to anchor the unit to the floor.



**WARNING:** Remove shipping block from under blower housing and install filter brackets.

---

### CONDENSATE DRAIN

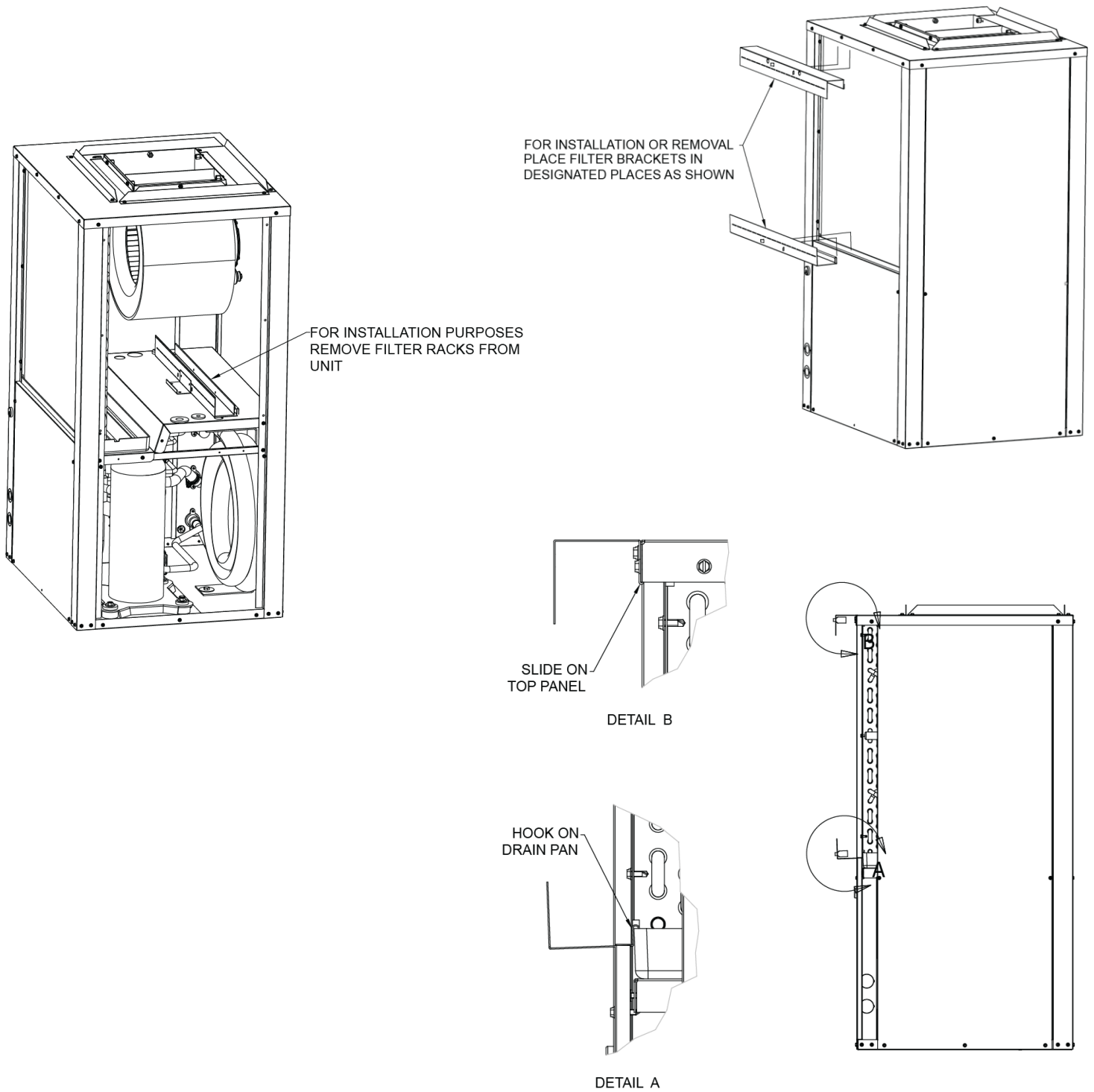
The condensate drain must be in conformance with all plumbing codes. The condensate drain must be connected to the heat pump and pitched away from the unit a minimum 1/8" per foot to allow the condensate to flow away from the unit. Since the drain pan is located on the suction side of the blower, a negative pressure exists at the drain pan and a minimum trap of 1-1/2 inches must be provided in the drain line to assure proper drainage. **(Units are not internally trapped.)**



**CAUTION:** Condensate drain pan is equipped with a condensate overflow safety device. Check condensate overflow sensor for proper operation and adjust position if required. Final adjustment of this sensor must be made in the field. Failure to follow this warning could result in equipment and property damage.

---

## FILTER BRACKETS



**Figure 1 – Filter Bracket Detail**



**WARNING:** Filter brackets are shipped within the unit, they are located within the blower compartment and must be mounted to the external cabinet prior to mounting/installing the unit. Refer to Figure 1 – Filter Bracket Detail.

## AIR DISTRIBUTION DUCTS

All duct work must be installed in accordance with National Fire Protection Association Codes 90A and 90B. Ducts should be adequately insulated to prevent condensation during the cooling cycle and to minimize heat loss during the heating cycle. The return air duct should have the same free area as the opening provided on the heat pump unit. If there is no ducted return, applicable installation codes may limit the unit to installation only in a single story residence. In many cases it is acceptable to use ducting of the same size as the discharge connections. However, unique arrangements or long duct runs must be confirmed by a local professional and designed using current ASHRAE procedures for duct sizing. The manufacturer will not be responsible for misapplied equipment.

The WSV\* unit provides a supply air outlet collar and a return air duct flange to facilitate duct connections. Refer to figure 1 for discharge flange set-up. A flexible connector is recommended for supply and return air connections on metal duct systems. All metal ducting should be insulated with a minimum of one inch duct insulation to reduce heat loss or gain.

## ELECTRICAL CONNECTIONS

Before proceeding with electrical connections, make certain that supply voltage, frequency, and phase are as specified on unit rating plate. Be sure that electrical service provided by the utility is sufficient to handle the additional load imposed by this equipment. All field electrical connections must comply with NEC and any local codes or ordinances. Use copper wire only.

Properly sized fuses or HACR circuit breakers must be installed for branch circuit protection. See equipment nameplate for maximum size. Connect the power leads as indicated on the wiring diagram and be certain to connect the ground lead to the ground lug in the control box. Units are wired for 240V operation, if 208V supply voltage is present refer to the wiring diagram for wiring the transformer for 208V operation.



**WARNING: Any accessory items that have been furnished by the factory for field installation must be wired in strict accordance with the wiring diagram supplied with the unit. Failure to do so could result in electrical shock causing personal injury, death or damage to components and will void all warranties.**

---



**WARNING: Three phase units are supplied with phase monitors which restrict power from being applied out of phase, unbalanced or when there is a loss of phase. Even so, ensure proper compressor rotation by checking suction and discharge pressures, FLA's are normal and listen for noisy operation. Oil loss will be the greatest threat. See wiring diagram.**

---

## THERMOSTAT

A standard 24 VAC Heat Pump thermostat is required that will operate the reversing valve in the cooling mode. Thermostat connections and their functions are as follows:

- C - Transformer 24VAC Common
- O - Reversing Valve (energized in cooling)
- Y - Compressor Contactor
- R - Transformer 24VAC Hot
- G - Evaporator Blower

## CONTROL MODULE AND SAFETY DEVICES

The WSV\* unit comes standard with a control module that controls the unit's operation and monitors the safety controls that protect the compressor, heat exchanger, wiring and other components from damage caused by operating outside of design conditions.

Safety controls include the following:

- High pressure switch located in the refrigerant discharge line.
- Low pressure switch located in the refrigerant suction line.
- Water Coil Low Temperature Cutout Sensor located on the heat exchanger to prevent unit operation below low temperature setting.
- Condensate overflow protection sensor located in the drain pan.

The Control Module includes the following features:

- Anti-Short Cycle Timer - 5 minute anti-short cycle protection for the compressor.

**Note: The 5 minute anti-short cycle also occurs at power up.**

- Random Start - The controller features a 5-80 second random start upon power up.
- Low Pressure Bypass Timer - The low pressure switch input is bypassed for the initial 120 seconds of a compressor run cycle to prevent nuisance low pressure lockouts.
- Over / Under Voltage Shutdown - Should an Over / Under Voltage condition be detected, the module will initiate shutdown.

Over / Under Voltage Shutdown is self-resetting in that if the voltage comes back within range of 18.5VAC to 31VAC, then normal operation will be restored.

- Alarm Relay - The module has a set of contacts for remote fault indication. Contacts can be 24VAC output or converted to a dry contact.
- Test Mode - Test pins can be momentarily jumpered to enter into a 10 minute Test Mode period in which all time delays are sped up 15 times. While in the Test Mode the LED Display will display a code representing the last fault in memory.

**Note: Continued operation of the unit in the test mode can lead to accelerated wear and premature failure of unit.**

- Fault Retry - While in the Fault Retry Mode the LED Display will display a code representing retry and the fault code. The unit will initiate the Anti-Short Cycle Timer and try to restart after the delays. If 3 consecutive faults occur without satisfying the thermostat the control will go to Lockout Mode. The last fault causing the lockout will be stored in memory and displayed.
- Lockout - While in the Lockout Mode the LED Display will display a code representing lockout and the fault code. The compressor relay is turned off immediately. During a lockout mode the alarm relay is activated. Lockout mode can be soft reset by turning the thermostat to the “OFF” position then back to the “HEAT” or “COOL” mode or hard reset via the power disconnect.
- LED Indication - Two LED indicators are provided as follows:  
 Green: Power LED indicates 18.5-31VAC is present at the board  
 Yellow: Test LED indicates that the unit is operating in the test mode.
- LED Display - A two digit display indicates the system mode and fault code, if present. See table 1.

CONTROLLER OPERATIONAL CODES	
DESCRIPTION OF OPERATION	LED Readout
NORMAL MODE	ON (Green Light)
CONTROLLER NON-FUNCTIONAL	OFF (Green Light)
TEST MODE (pins shorted momentarily)	ON (Yellow Light)
STANDBY	St
FAN ONLY ( G active)	Fo
COOL (Y1 & O active)	Co
HEAT 1st STAGE (Y1 active)	H1
ACCESSORY RELAY 1	A1
ACCESSORY RELAY 2	A2
VACATED PREMISES CONTROL	Ay
FAULT RETRY	rE & CODE #
LOCKOUT	Lo & CODE #
OVER / UNDER VOLTAGE SHUTDOWN	Ou & CODE #
TEMPERATURE SENSOR ERROR	SE & CODE #
TEST MODE - NO FAULT	CODE 11
TEST MODE - HP FAULT	CODE 12
TEST MODE - LP FAULT	CODE 13
TEST MODE - CO1 FAULT	CODE 14
TEST MODE - CO2 FAULT	CODE 15
TEST MODE - COND. OVERFLOW FAULT	CODE 16
TEST MODE - OVER / UNDER SHUTDOWN	CODE 17
TEST MODE - SWAPPED CO1 / CO2 THERMISTORS	CODE 18
TEST MODE - TEMPERATURE SENSOR ERROR	CODE 19

**Table 1 Fault Codes**

**PIPING**

Supply and return piping must be as large as the unit connections on the heat pump and larger on long runs. Never use flexible hoses of a smaller diameter than the water connections on the unit. Do not exceed the minimum bend radius for the flexible hose selected. Exceeding the minimum bend radius may cause the hose to collapse, which reduces water flow rate. Install an angle adapter to avoid sharp bends in the hose when the radius falls below the required minimum.

**Minimum Metal Hose Bend Radii**

- 3/4” Hose Diameter - 4” Minimum Bend Radii
- 1” Hose Diameter - 5-1/2” Minimum Bend Radii

Insulation is not required on loop water piping except where the piping runs through unconditioned areas, outside the building or when the loop water temperature is below the minimum expected dew point of the pipe ambient conditions. Insulation is required if loop water temperature drops below the dew point.

Units are supplied with either a copper or optional cupro-nickel water to refrigerant heat exchangers. Copper is adequate for ground water that is not high in mineral content. Should your well driller express concern regarding the quality of the water or should any known hazards exist in your area then we recommend proper testing to assure the well water quality is suitable for use with water source equipment. In conditions anticipating moderate scale formation or in brackish water a cupro-nickel heat exchanger is recommended.



**CAUTION: Both the supply and return water lines will sweat if subjected to low water temperature. These lines should be insulated to prevent water damage to the property.**

---

**NOTE: All manual flow valves used in the system must be ball valves. Globe and gate valves must not be used due to high pressure drop and poor throttling characteristics. Never exceed the recommended water flow rates. Serious erosion or damage of the water to refrigerant heat exchanger could occur.**

Always check carefully for water leaks and repair appropriately. Units are equipped with female pipe thread fittings. Consult the specification sheets for sizes. Teflon tape should be used when connecting water piping connections to the units to insure against leaks and possible heat exchanger fouling.

**Note: When anti-freeze is used in the loop, insure that it is compatible with the Teflon tape that is applied.**

Do not over tighten the pipe connections. Flexible hoses should be used between the unit and rigid piping to avoid vibration transmission into the structure.

**Note: Do not allow hoses to rest against structural building components. Compressor vibration may be transmitted through the hoses to the structure, causing unnecessary noise complaints.**

Ball valves should be installed in the supply and return lines for unit isolation and unit water flow balancing. Pressure / temperature ports are recommended in both the supply and return lines for system flow balancing. Water flow can be accurately set by measuring the water side pressure drop of the water to refrigerant heat exchanger. See figure 2.



**CAUTION: Water piping exposed to extreme low ambient temperatures is subject to freezing and possible rupture. Proper prevention should be taken to avoid pipe freezing where equipment damage or failure may occur. Failure to follow this warning could result in property damage.**

---

## SYSTEM APPLICATIONS

### COOLING TOWER / BOILER APPLICATION

To assure optimum cooling and heating performance, the cooling tower and boiler water loop temperature should be maintained between 55 - 75 degrees F in the heating mode and 60 - 95 degrees F in the cooling mode. In the cooling mode, heat is rejected from the heat pump's refrigerant into the water loop. A cooling tower provides evaporative cooling to the loop fluid; thus, maintaining a constant supply temperature to the unit. When using an open cooling tower, chemical water treatment is mandatory to ensure the water is free of corrosive materials.

In the heating mode, heat is absorbed from the water loop into the heat pump's refrigerant. A boiler may be utilized to maintain the proper water temperature within in the loop.



**CAUTION: A boiler may be required in the water loop to maintain the loop water temperature between 55 - 70 degree F. Failure to follow this warning could result in equipment failure and property damage.**

---

A secondary heat exchanger (plate frame between the unit and the open cooling tower) may also be used. It is imperative that all air is eliminated from the closed loop side of the heat exchanger to prevent condenser fouling.

No unit should be connected to the supply or return piping until the water system has been completely cleaned and flushed to remove dirt, piping chips or other foreign material. Supply and return hoses should be connected together during this process to ensure the entire system is properly flushed. After the cleaning and flushing has taken place the unit may be connected to the water loop and should have all valves adjusted to supply the proper flow rate for the unit. Nominal flow rate is 3 GPM per 12,000 BTUH of cooling.



**CAUTION: The manufacturer does NOT WARRANT equipment subjected to abuse. Dirt, piping chips or other foreign material can cause damage or failure to the water to refrigerant heat exchanger.**

---



# UNIT CONNECTIONS

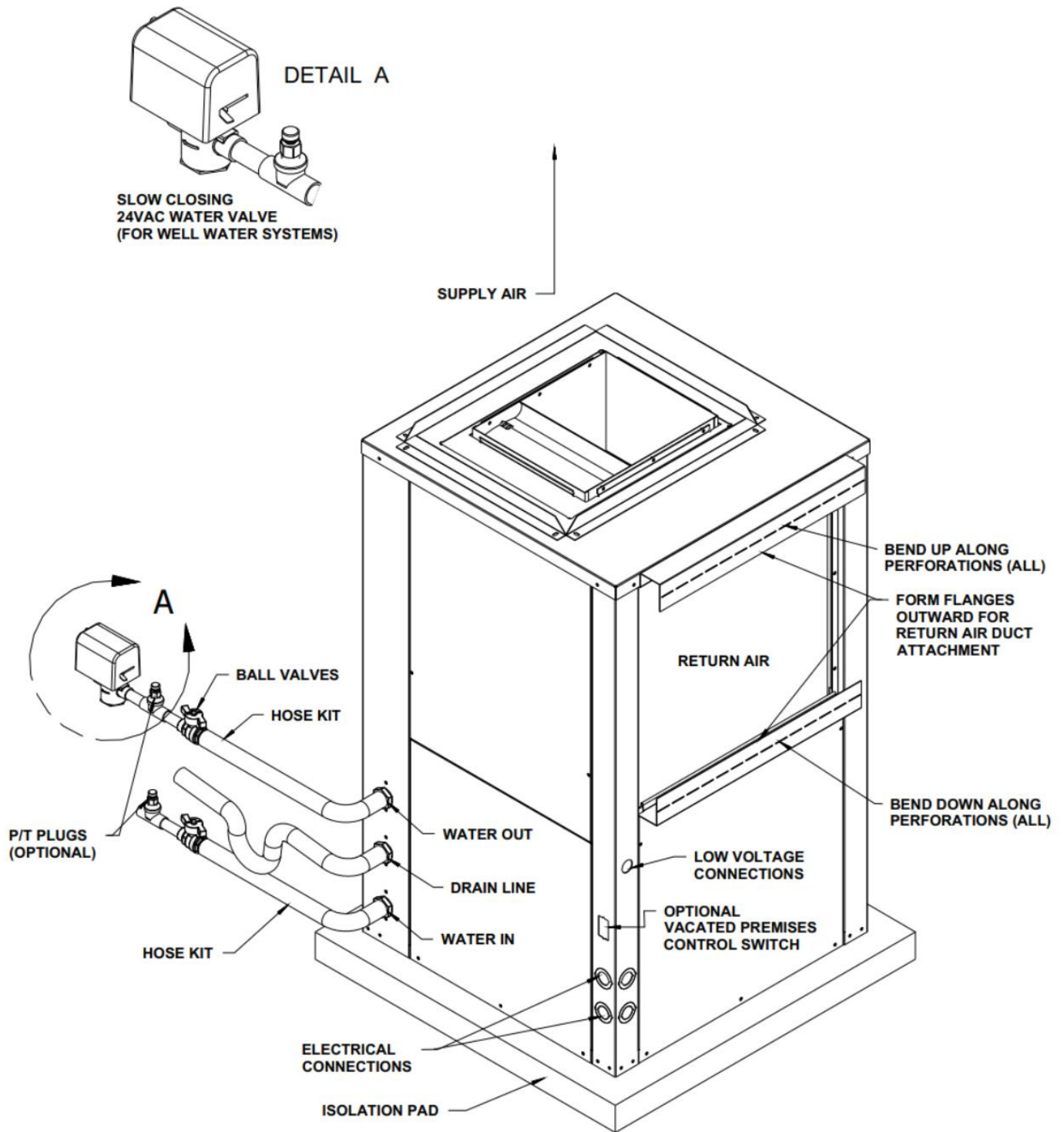


Figure 2 - Right Hand Model Shown



**Extended Range Operation:** Piping systems expected to utilize water temperatures below 50 degrees require the extended range option which includes closed cell insulation on all piping surfaces to eliminate condensation. This application requires sufficient antifreeze solution to protect the water loop against extreme temperature conditions and condenser coil freezing. Frozen condenser coils are not covered under warranty. A boiler may be required to maintain the minimum water temperature within the loop.

## WELL WATER APPLICATIONS

### Requirements:

- 50 Degree F Minimum Entering Water Temperature
- Cupro-Nickel Refrigerant Heat Exchanger

When a water well is used exclusively for supplying water to the heat pump, a cupro-nickel refrigerant heat exchanger is required and the well pump should operate only when the heat pump operates. A 24 volt contactor can be wired to the ACC 1 terminal on the Control Module which can be selected to energize prior to or at compressor start-up which would in turn energize the well pump to operate with the heat pump.



**CAUTION: Minimum entering water loop temperature is 50 Degree F. Failure to follow this warning could result in equipment failure and property damage.**

---

The discharge water from the heat pump is not contaminated in any manner and can be disposed of in various ways depending upon local codes.

## EARTH COUPLED SYSTEMS

---




**WARNING: Closed loop and pond applications require specialized design knowledge. No attempt at these installations should be made unless the licensed installer has received specialized training.**


## SYSTEM CHECKOUT & START-UP

### SYSTEM CHECKOUT

After completing the installation and before energizing the unit, the following system checks should be made:

- Verify that the supply voltage to the heat pump is in accordance with the nameplate ratings.
- Make sure that all electrical connections are tight and secure.
- Check the electrical overcurrent protection and wiring for the correct size.
- Verify that the low voltage wiring between the thermostat and the unit matches the wiring diagram.
- Verify that all Dip Switches are set to the off position for standard unit operation.
-  Verify that Dip Switch #1, position 2 is set to on, "DC", *only if DC motor is installed*.
- Verify that the water piping is complete and correct.
- Check all water connections for leaks.
- Check condensate overflow sensor for proper operation and adjust position if required.
- Check that the water flow rate is correct and adjust if necessary. Nominal flow rates are 3 GPM per 12,000 BTUH of cooling or approximately 10 degree delta T of entering vs leaving water temperature in the cooling mode.
- Check the blower wheel for free rotation and that it is secured to the motor shaft.
- Verify that vibration isolation has been provided.
- Unit is serviceable. Be certain that all access panels are securely in place.

### UNIT START-UP

- Set the thermostat to its highest setting.
- Set the thermostat system switch to "COOL" and the fan switch to the "AUTO" position. The reversing valve solenoid should energize. The compressor and fan should not run. Wait 5 minutes for anti-short cycle timer to time out.
- Reduce the thermostat setting approximately 5 degrees below the room temperature.
- Verify the heat pump is operating in the cooling mode. **\*\*\*\*Compressor rotation, see warning p.4\*\*\*\*** 
- Turn the thermostat system switch to the "OFF" position. The unit should stop running and the reversing valve should de-energize.
- Leave the unit off for approximately (5) minutes to allow the system pressures to equalize. (Anti-short cycle)
- Turn the thermostat to the lowest setting.
- Set the thermostat switch to "HEAT".
- Increase the thermostat setting to approximately 5 degrees above the room temperature.

- Verify that the heat pump is operating in the heating mode.
- Set the thermostat to maintain the desired space temperature.
- Check for vibrations, leaks, etc.
- Verify water flow rate is correct and adjust if necessary. Nominal flow rates are 3 GPM per 12,000 BTUH of cooling or approximately 10 degree delta T of entering vs leaving water temperature in the cooling mode.
- Instruct the owner on the unit and thermostat operation.

## BLOWER SPEED SELECTION

### Units with PSC Motor

Units come from the factory set to deliver rated airflow at nominal static pressure (0.30 in. wg.). The heat pump has a built in dehumidification function that runs the lower fan speed for 10 minutes, then increases the blower speed to the nominal CFM output until the thermostat is satisfied. All units have a 3 or 4 speed motor so the blower can be field adjusted to a higher speed tap when the system application has higher static requirements. Refer to the unit specification sheet and wiring diagram for speed selections. Motor leads should be changed on the Fan Speed Relay.

### Units with DC Motor

No fan speed relays are used and three motor leads connect directly to the control board. Gray is a 50% speed used when only “fan” is selected. Violet and White are the ramp up speeds used when in normal heating or cooling modes. See wiring diagram for proper speed tap selection.

## ARI TESTING

To achieve rated airflow for ARI testing purposes on all PSC motor products, it is necessary to run the unit longer than 10 minutes in order for the blower to achieve the higher speed. When the heat pump has less than 100 operational hours and the coil has not had sufficient time to be “seasoned”, it is necessary to clean the coil with a mild surfactant such as Calgon to remove the oils left by manufacturing processes.

## WSCM Optional Features

### Vacated Premises Control:

The vacated premises operation is designed for extended periods of unoccupancy when the occupant desires the heat pump to operate in the cooling mode for a predetermined cycle time to help control indoor air conditions. See Dip 1.7 for time selection of 1 or 2 hours per day. The control kit consist of a rocker switch, wiring and a programmed chip that is installed on the WSCM control module by the licensed contractor.

HOME selection - if the switch is in the HOME position the heat pump will operate in its normal mode.

AWAY selection - if the switch is in the AWAY position and the thermostat is set to the “COOL” mode the heat pump will operate in accordance to the thermostat setting. Additionally the heat pump will cycle on in the cooling mode for 15 minute run times either 4 or 8 times per day depending on Dip 1.7 selection.

**Note: If LED display is flashing “Ay” the thermostat is not set in the cooling mode.**

## SYSTEM MAINTENANCE

Filter replacement or cleaning is required at regular intervals. The time period between filter changes will depend upon the type of environment in which the equipment is used. The air filter should be cleaned or replaced every 30 days or more frequently if severe conditions exist. Always replace the filter with the same type as originally furnished.



**CAUTION: Never operate unit without a filter or with filter not fully seated. Damage to refrigerant coil or heat pump system can result. Failure to follow this CAUTION could result in product or property damage.**

An annual checkup is recommended by a licensed refrigeration mechanic. Recording the performance measurements of volts, amps and water temperature differences (both heating and cooling) is recommended. This data should be compared to the information on the unit’s nameplate and the data taken at the original start-up of the equipment.

The condensate drain should be checked annually by cleaning and flushing to ensure proper drainage.

Periodic lockouts almost always are caused by air or water flow problems. The lockout (shutdown) of the unit is a normal protective measure in the design of the equipment. If continual lockouts occur then call a licensed mechanic immediately and have them check for:

- water flow problems
- water temperature problems
- air flow problems
- air temperature problems

Use of pressure and temperature charts for the unit may be helpful to properly determine the cause.

# OPERATING TEMPERATURES & PRESSURES

			OPERATING DATA							
			COOLING				HEATING			
MODEL	ENTERING WATER TEMP, F	WATER FLOW GPM	SUCTION PRESSURE PSIG	DISCHARGE PRESSURE PSIG	WATER TEMP RISE, F	AIR TEMP DROP, F	SUCTION PRESSURE PSIG	DISCHARGE PRESSURE PSIG	WATER TEMP DROP, F	AIR TEMP RISE, F
WSVC009	50	1.5	114 - 124	173 - 223	20 - 26	14 - 18	103 - 123	323 - 363	20 - 26	7 - 11
		2.5	115 - 125	160 - 210	20 - 26	9 - 13	110 - 130	331 - 371	21 - 27	4 - 8
	60	1.5	116 - 126	205 - 255	19 - 25	14 - 18	123 - 143	345 - 385	23 - 29	8 - 12
		2.5	116 - 126	190 - 240	20 - 26	8 - 12	133 - 153	354 - 394	24 - 30	4 - 8
	70	1.5	118 - 128	240 - 290	19 - 25	14 - 18	145 - 165	367 - 407	26 - 32	10 - 14
		2.5	117 - 127	221 - 271	19 - 25	8 - 12	157 - 177	379 - 419	27 - 33	5 - 9
	80	1.5	120 - 130	279 - 329	18 - 24	14 - 18	170 - 190	391 - 431	29 - 35	11 - 15
		2.5	119 - 129	260 - 310	19 - 25	8 - 12	184 - 204	406 - 446	31 - 37	6 - 10
	90	1.5	122 - 132	322 - 372	18 - 24	13 - 17	196 - 216	418 - 458	33 - 39	13 - 17
		2.5	121 - 131	302 - 352	18 - 24	7 - 11	211 - 231	434 - 474	35 - 41	8 - 12
100	1.5	124 - 134	369 - 419	17 - 23	13 - 17					
	2.5	123 - 133	349 - 399	17 - 23	7 - 11					
WSVC012	50	2.0	114 - 134	181 - 231	20 - 26	13 - 17	91 - 111	285 - 325	18 - 24	6 - 10
		3.0	114 - 134	172 - 222	20 - 26	8 - 12	96 - 116	289 - 329	19 - 25	3 - 7
	60	2.0	115 - 135	216 - 266	20 - 26	13 - 17	109 - 129	301 - 341	21 - 27	7 - 11
		3.0	115 - 135	206 - 256	20 - 26	8 - 12	115 - 135	306 - 346	22 - 28	4 - 8
	70	2.0	117 - 137	254 - 304	20 - 26	13 - 17	128 - 148	318 - 358	24 - 30	9 - 13
		3.0	116 - 136	244 - 294	20 - 26	8 - 12	136 - 156	325 - 365	25 - 31	5 - 9
	80	2.0	119 - 139	296 - 346	19 - 25	13 - 17	150 - 170	338 - 378	27 - 33	10 - 14
		3.0	119 - 139	286 - 336	19 - 25	8 - 12	160 - 180	348 - 388	29 - 35	6 - 10
	90	2.0	122 - 142	342 - 392	19 - 25	13 - 17	173 - 193	362 - 402	31 - 37	12 - 16
		3.0	121 - 141	332 - 382	19 - 25	8 - 12	165 - 185	360 - 396	33 - 40	8 - 12
100	2.0	125 - 145	393 - 443	18 - 24	13 - 17					
	3.0	124 - 144	384 - 434	18 - 24	8 - 12					

This chart shows approximate temperatures and pressures for a unit in good working condition. The values shown are meant as a guide only and should not be used to determine system charge. This chart assumes rated airflow and 80 deg D.B. / 67 deg W.B. entering air temperature in cooling, 70 deg D.B. entering air temperature in heating.

# OPERATING TEMPERATURES & PRESSURES

			OPERATING DATA							
			COOLING				HEATING			
MODEL	ENTERING WATER TEMP, F	WATER FLOW GPM	SUCTION PRESSURE PSIG	DISCHARGE PRESSURE PSIG	WATER TEMP RISE, F	AIR TEMP DROP, F	SUCTION PRESSURE PSIG	DISCHARGE PRESSURE PSIG	WATER TEMP DROP, F	AIR TEMP RISE, F
WSVC018	50	3.0	112-152	210-258	15-17	19-23	103-123	293-363	7-9	19-24
		5.0	104-140	193-241	8-9	17-21	110-132	306-376	5-6	21-26
	60	3.0	122-154	241-289	15-17	18-22	120-145	332-401	8-10	25-30
		5.0	117-142	223-274	8-9	17-21	122-147	347-417	5-6	27-32
	70	3.0	128-156	276-334	15-17	18-22	135-164	374-444	9-12	29-34
		5.0	126-155	277-315	9-10	18-22	144-174	384-453	6-7	31-37
	80	3.0	128-156	317-375	14-16	18-22	150-181	392-462	11-13	32-38
		5.0	121-149	295-353	9-10	17-21	155-185	400-470	8-9	33-39
	90	3.0	130-156	355-402	14-16	17-21	158-195	407-477	13-15	34-40
		5.0	123-148	340-398	9-10	17-21	162-208	416-487	7-9	35-41
100	3.0	132-156	405-465	13-15	16-20					
	5.0	126-150	386-444	8-9	17-21					
WSVC024	50	4.0	105-140	190-230	13-16	18-23	105-125	302-370	7-9	23-28
		6.0	100-135	183-220	9-12	16-21	110-132	310-380	5-6	24-29
	60	4.0	116-145	225-275	13-16	19-24	120-145	352-422	8-10	28-33
		6.0	111-136	215-260	9-11	18-23	125-150	372-442	6-7	29-34
	70	4.0	122-150	260-320	14-16	18-23	137-166	400-468	9-12	33-38
		6.0	117-143	248-305	9-11	18-23	144-174	404-474	7-8	35-40
	80	4.0	126-154	298-365	13-17	19-24	152-183	426-494	11-13	36-41
		6.0	119-147	285-345	9-11	18-23	160-190	430-499	8-9	38-43
	90	4.0	130-156	338-400	13-16	18-23	163-200	444-514	12-14	38-43
		6.0	125-148	320-385	9-11	19-24	165-210	440-512	8-10	39-44
100	4.0	133-157	380-450	13-15	17-22					
	6.0	127-151	352-430	9-11	17-22					
WSVC030	50	5.0	110-150	210-258	15-17	17-21	103-123	298-368	7-9	20-25
		8.0	104-140	193-241	8-9	16-20	110-132	308-378	5-6	22-27
	60	5.0	120-152	241-289	15-17	18-22	120-145	335-404	8-10	25-30
		8.0	115-140	223-274	8-9	17-21	122-147	347-417	6-7	26-31
	70	5.0	126-154	276-334	15-17	18-22	135-164	378-448	9-12	29-34
		8.0	123-152	277-315	9-10	17-21	144-174	384-453	7-8	28-34
	80	5.0	126-154	312-370	14-16	18-22	152-183	398-468	11-13	32-38
		8.0	119-147	295-353	9-10	17-21	160-190	405-475	8-9	34-40
	90	5.0	132-158	355-402	14-16	18-22	165-203	422-492	12-14	35-41
		8.0	125-150	335-394	9-10	17-21	170-215	424-495	8-10	37-43
100	5.0	135-159	400-460	13-15	17-21					
	8.0	129-153	381-439	8-9	16-20					

This chart shows approximate temperatures and pressures for a unit in good working condition. The values shown are meant as a guide only and should not be used to determine system charge. This chart assumes rated airflow and 80 deg D.B. / 67 deg W.B. entering air temperature in cooling, 70 deg D.B. entering air temperature in heating.

# OPERATING TEMPERATURES & PRESSURES

			OPERATING DATA							
			COOLING				HEATING			
MODEL	ENTERING	WATER FLOW GPM	SUCTION	DISCHARGE	WATER	AIR	SUCTION	DISCHARGE	WATER	AIR
	WATER TEMP, F		PRESSURE PSIG	PRESSURE PSIG	TEMP RISE, F	TEMP DROP, F	PRESSURE PSIG	PRESSURE PSIG	TEMP DROP, F	TEMP RISE, F
WSVC036	50	6.0	110-150	214-262	15-17	22-26	105-125	312-380	6-8	26-31
		9.0	104-140	199-247	9-10	20-24	110-132	320-390	4-6	28-33
	60	6.0	120-152	246-295	15-17	22-26	124-149	359-429	8-9	31-36
		9.0	115-140	233-284	9-10	20-24	127-152	367-437	5-6	32-37
	70	6.0	126-154	286-344	15-17	22-26	135-164	390-458	9-12	38-43
		9.0	123-152	287-325	9-10	21-25	144-174	404-474	7-8	38-43
	80	6.0	126-154	322-380	14-16	21-25	157-188	426-494	10-12	42-47
		9.0	119-147	310-368	9-10	20-24	162-192	430-499	8-9	43-48
	90	6.0	132-158	360-417	14-16	20-24	165-203	444-514	13-15	44-50
		9.0	125-150	350-409	9-10	20-24	173-218	445-517	7-9	45-51
100	6.0	135-159	405-465	13-15	19-23					
	9.0	129-153	391-449	9-10	19-23					
WSVC040	50	7.0	111-151	215-263	15-17	22-26	106-126	314-382	6-8	26-31
		10.0	105-141	201-249	9-10	20-24	111-132	321-392	4-6	28-33
	60	7.0	121-153	249-297	15-17	22-26	126-151	361-431	8-9	31-36
		10.0	117-142	234-285	9-10	20-24	129-154	368-439	5-6	32-37
	70	7.0	127-155	288-346	15-17	22-26	136-165	392-460	9-12	38-43
		10.0	125-154	289-327	9-10	21-25	146-176	405-475	7-8	38-43
	80	7.0	127-155	324-382	14-16	21-25	159-190	428-496	10-12	42-47
		10.0	121-149	311-370	9-10	20-24	163-193	432-501	8-9	43-48
	90	7.0	133-159	362-419	14-16	20-24	167-205	445-516	13-15	44-50
		10.0	127-152	352-411	9-10	20-24	175-220	447-519	7-9	45-51
100	7.0	136-160	406-466	13-15	19-23					
	10.0	131-155	393-452	9-10	19-23					
WSVC042	50	8.0	111-151	201-249	12-14	17-21	100-120	288-358	6-8	22-26
		11.0	107-143	190-238	8-9	16-20	103-123	293-363	5-6	23-27
	60	8.0	122-154	231-279	13-15	18-22	117-142	325-394	9-10	28-32
		11.0	122-147	227-278	9-11	18-22	117-142	327-398	6-7	28-32
	70	8.0	128-156	270-328	13-15	18-22	129-158	348-408	9-11	32-36
		11.0	126-155	272-310	9-11	18-22	136-166	354-423	7-8	32-36
	80	8.0	130-158	308-366	12-14	18-22	145-176	373-443	10-12	34-38
		11.0	125-153	300-360	8-10	17-21	150-180	345-445	8-9	35-39
	90	8.0	137-163	352-409	11-13	18-22	155-193	352-452	11-13	36-40
		11.0	132-157	347-406	8-10	18-22	160-205	358-458	8-10	37-41
100	8.0	139-163	398-458	11-14	17-21					
	11.0	135-159	391-449	8-10	17-21					

This chart shows approximate temperatures and pressures for a unit in good working condition. The values shown are meant as a guide only and should not be used to determine system charge. This chart assumes rated airflow and 80 deg D.B. / 67 deg W.B. entering air temperature in cooling, 70 deg D.B. entering air temperature in heating.

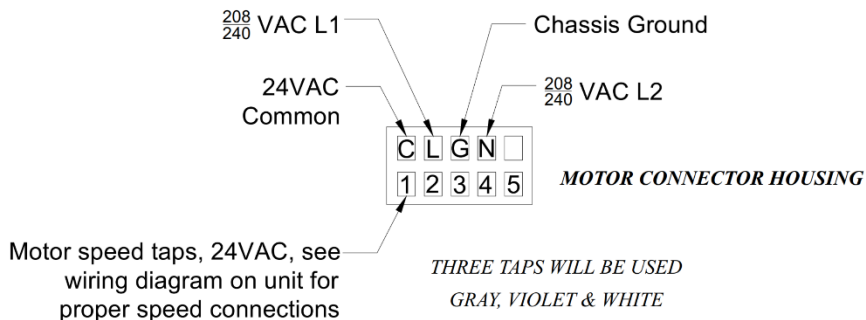
# OPERATING TEMPERATURES & PRESSURES

			OPERATING DATA							
			COOLING				HEATING			
MODEL	ENTERING WATER TEMP, F	WATER FLOW GPM	SUCTION PRESSURE PSIG	DISCHARGE PRESSURE PSIG	WATER TEMP RISE, F	AIR TEMP DROP, F	SUCTION PRESSURE PSIG	DISCHARGE PRESSURE PSIG	WATER TEMP DROP, F	AIR TEMP RISE, F
WSVC048	50	9.0	106-146	197-245	12-14	17-21	92-115	300-370	6-8	25-29
		12.0	102-142	187-235	8-10	16-20	95-117	302-372	5-7	26-30
	60	9.0	116-148	231-279	14-16	18-22	105-130	332-402	7-9	29-33
		12.0	116-141	223-274	8-9	17-21	107-132	332-402	6-8	30-34
	70	9.0	124-152	268-326	13-15	19-23	115-144	349-420	9-11	32-36
		12.0	121-151	277-315	9-10	18-22	116-147	354-425	6-8	33-37
	80	9.0	126-154	310-368	13-15	19-23	123-154	367-438	9-11	35-39
		12.0	121-149	298-356	9-11	19-23	125-156	370-440	7-9	36-40
	90	9.0	132-158	358-405	13-15	19-23	131-162	380-451	10-12	36-40
		12.0	127-153	338-408	9-11	18-22	133-165	384-455	7-9	37-41
	100	9.0	131-156	394-454	12-14	19-23				
		12.0	129-153	391-449	8-10	18-22				
WSVC060	50	12.0	109-149	201-249	12-14	17-21	97-120	298-368	6-8	22-26
		15.0	105-147	191-239	8-9	16-20	100-122	300-370	5-6	23-27
	60	12.0	119-152	235-283	13-15	18-22	110-135	330-400	9-10	28-32
		15.0	119-148	227-278	9-11	18-22	112-137	300-400	6-7	28-32
	70	12.0	127-155	272-330	13-15	18-22	120-149	347-418	9-11	32-36
		15.0	124-154	281-319	9-11	18-22	121-152	352-423	7-8	32-36
	80	12.0	129-157	314-372	12-14	18-22	128-159	365-436	10-12	34-38
		15.0	124-152	302-360	8-10	17-21	130-161	370-438	8-9	35-39
	90	12.0	135-161	362-409	11-13	18-22	135-167	378-449	11-13	36-40
		15.0	130-156	342-412	8-10	18-22	138-170	382-453	8-10	37-41
	100	12.0	134-159	398-459	11-14	17-21				
		15.0	131-156	395-453	8-10	17-21				

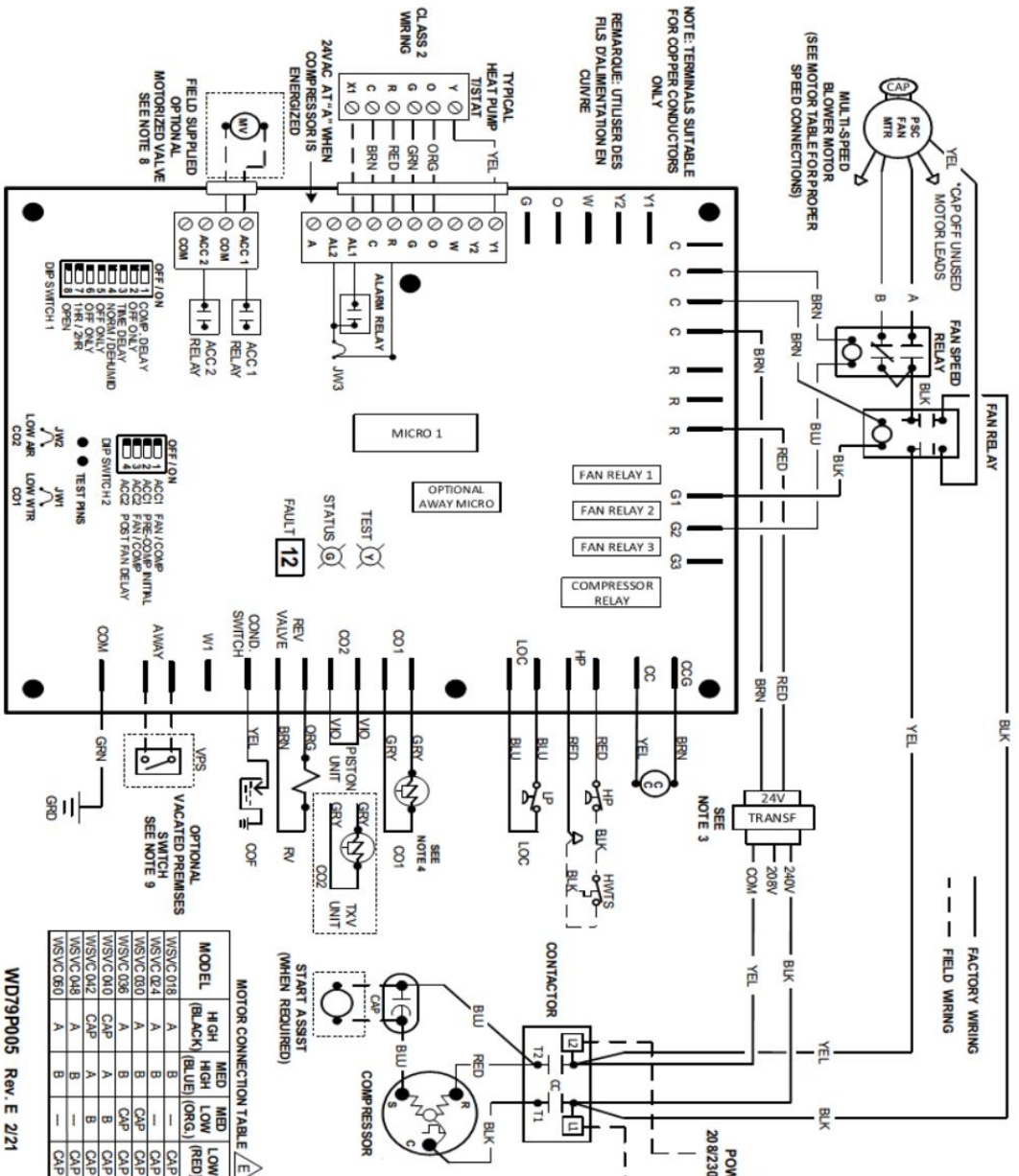
This chart shows approximate temperatures and pressures for a unit in good working condition. The values shown are meant as a guide only and should not be used to determine system charge. This chart assumes rated airflow and 80 deg D.B. / 67 deg W.B. entering air temperature in cooling, 70 deg D.B. entering air temperature in heating.

## CONNECTIONS FOR X13 PERMANENT MAGNET MOTORS IF SO EQUIPPED

*NOTE: CONTROL BOARD DIP SWITCH 1-2 MUST BE IN ON POSITION, "DC"*



**Caution:** High efficiency brushless DC motors are wired with power applied at all times (G.E. X13 for example), see illustration above. Low voltage thermostat demand and board algorithms will control its use.



**LEGEND**

AL	ALARM
CC	COMPRESSOR CONTACTOR
COF	CONDENSATE OVERFLOW SENSOR
CO1	SENSOR, LOW TEMP PROTECTION, WATER COIL
CO2	SENSOR, LOW TEMP PROTECTION, AIR COIL
HP	HIGH PRESSURE SWITCH
HWT	HIGH LEAVING WATER TEMP SWITCH (OPTIONAL)
JP1	JUMPER ALARM
LP	LOW PRESSURE SWITCH
LOC	LOSS OF CHARGE PRESSURE SWITCH
LV	MOTORIZED VALVE
RV	REVERSING VALVE

**NOTES:**

1. COMPRESSOR AND BLOWER MOTOR ARE THERMALLY PROTECTED INTERNALLY.
2. ALL WIRING TO THE UNIT MUST COMPLY WITH NEC AND LOCAL CODES.
3. 208-240V/1-60 UNITS ARE WIRED FOR 240V OPERATION. FOR 208V/1-60 OPERATION SWITCH BLACK WIRE TO 208V/TAP ON THE TRANSFORMER.
4. CO1 THERMIST OR PROVIDES LOW TEMPERATURE PROTECTION FOR WATER. WHEN USING ANTI-FREEZE SOLUTION CUT JWP JUMPER.
5. TYPICAL HEAT PUMP THERMISTAY SHOWN. REFER TO THERMISTAY INSTALLATION INSTRUCTIONS FOR WIRING TO UNIT. \* TERMINAL ACTIVATES REVERSING VALVE FOR THE COOLING MODE.
6. 24V ALARM SIGNAL SHOWN. FOR DRY ALARM CONTACT, CUT JWP3 JUMPER.
7. FOR BLOWER MOTOR SPEED SELECTION REFER TO MOTOR CONNECTION TABLE.
8. ACCESSORY RELAYS ARE 24V. REFER TO INSTALLATION INSTRUCTIONS FOR PROPER DIP SWITCH SETTINGS.
9. REFER TO VACATED PREMISES SWITCH INSTALLATION INSTRUCTIONS FOR APPLICATION AND SET-UP.

**CONTROLLER FAULT CODES**

DESCRIPTION OF OPERATION	LED Readout
NORMAL MODE	ON (Green Light)
CONTROLLER NON-FUNCTIONAL	OFF (Green Light)
TEST MODE (this started momentarily)	ON (Yellow Light)
STANDBY	SI
FAN ONLY (G arrow)	Fo
COOL (V1 & O arrow)	Co
HEAT (H & S arrow)	Hi
ACCESSORY RELAY 1	A1
ACCESSORY RELAY 2	A2
VACATED PREMISES CONTROL	AV
FAULTY RETRY	FE & CODE #
OVER/UNDER VOLTAGE SHUTDOWN	LO & CODE #
TEMPERATURE SENSOR ERROR	OU & CODE #
TEST MODE - NO FAULT	CODE 11
TEST MODE - HP FAULT	CODE 12
TEST MODE - LP FAULT	CODE 13
TEST MODE - CO1 FAULT	CODE 14
TEST MODE - CO2 FAULT	CODE 15
TEST MODE - COND OVER/ON FAULT	CODE 16
TEST MODE - OVER/UNDER SHUTDOWN	CODE 17
TEST MODE - SWAP CO1/CO2 THERMISTORS	CODE 18
TEST MODE - TEMPERATURE SENSOR ERROR	CODE 19

**MOTOR CONNECTION TABLE**

MODEL	HIGH (BLACK)	MED (BLUE)	MED (ORNG)	LOW (RED)
WSVC 018	A	B	—	CAP
WSVC 024	A	B	CAP	CAP
WSVC 030	A	B	CAP	CAP
WSVC 036	A	B	CAP	CAP
WSVC 042	CAP	A	B	CAP
WSVC 048	A	B	—	CAP
WSVC 060	A	B	—	CAP

WD79P005 Rev E 2/21

NOTE: TERMINALS SUITABLE FOR COPPER CONDUCTORS ONLY.

REMARK: UTILISER DES FILS D'ALIMENTATION EN CUIVRE.

HEAT PUMP TYPICAL WIRING

24VAC AT 7A WHEN COMPRESSOR IS ENERGIZED

FAN RELAY

COMPRESSOR RELAY

OPTIONAL AWAY MICRO

STATUS 12

FAULT

COND. SWITCH

W1

AWAY

OPTIONAL VACATED PREMISES SWITCH SEE NOTE 9

TEST PINS

TEST SWITCH 2

TEST SWITCH 1

OPTIONAL FIELD SUPPLIED MOTORIZED VALVE SEE NOTE 8

24V TRANSF

208V/240V

COM

YEL

BLK

RED

BRN

BLU

WIRING

FACTORY WIRING

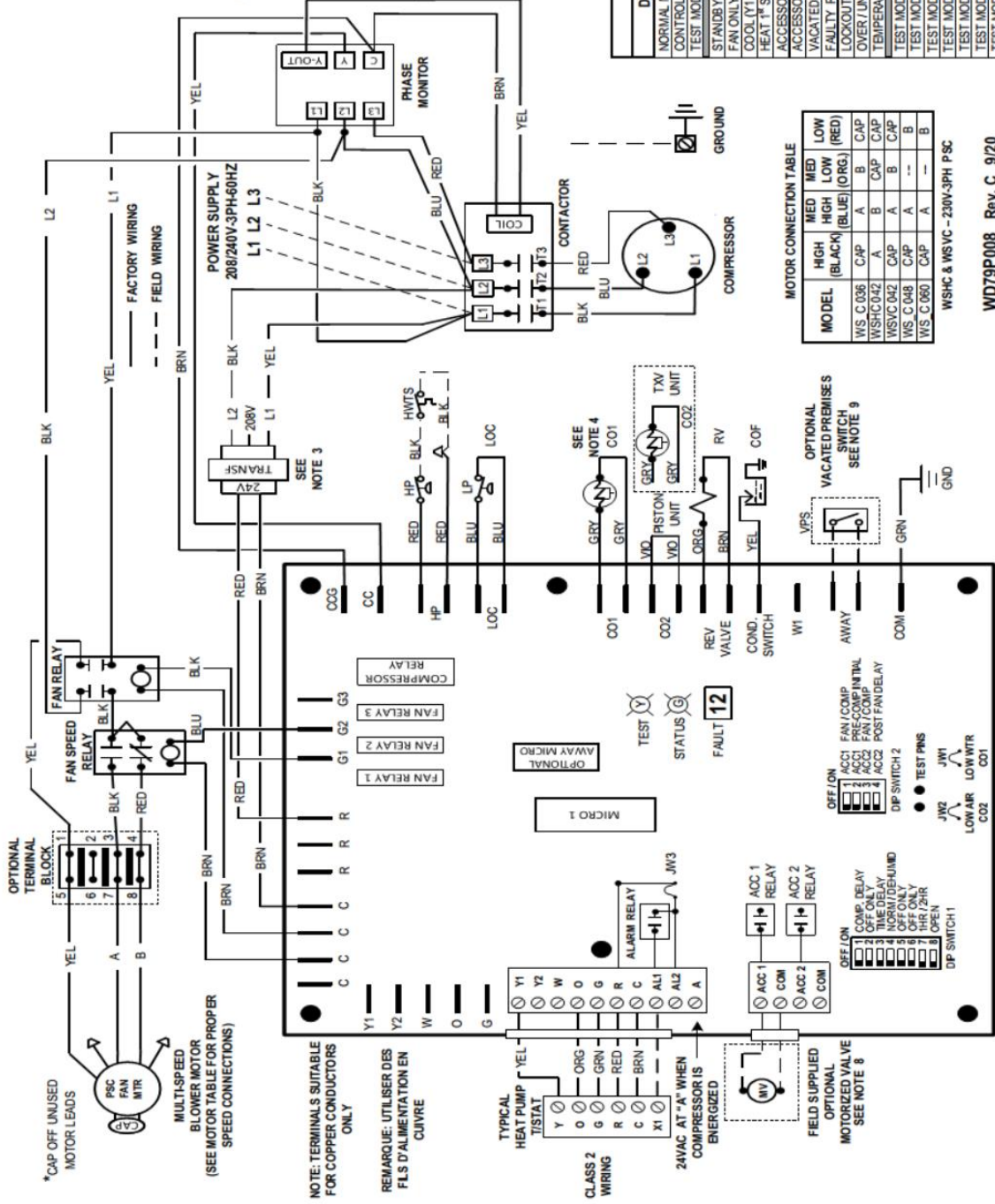
FIELD WIRING



**LEGEND**

AL	ALARM
CC	COMPRESSOR CONTACTOR
COF	CONDENSATE OVERFLOW SENSOR
CO1	SENSOR, LOW TEMP PROTECTION, WATER COIL
CO2	SENSOR, LOW TEMP PROTECTION, AIR COIL
HP	HIGH PRESSURE SWITCH
HWTS	HIGH LEAVING WATER TEMP SWITCH (OPTIONAL)
JP1	JUMPER ALARM
LP	LOW PRESSURE SWITCH
LOC	LOSS OF CHARGE PRESSURE SWITCH
MV	MOTORIZED VALVE
RV	REVERSING VALVE

- NOTES:**
1. COMPRESSOR AND BLOWER MOTOR ARE THERMALLY PROTECTED INTERNALLY.
  2. ALL WIRING TO THE UNIT MUST COMPLY WITH NEC AND LOCAL CODES.
  3. 208-240V/1-60 UNITS ARE WIRED FOR 240V OPERATION. FOR 208V/1-60 OPERATION SWITCH BLACK WIRE TO 208V TAP ON THE TRANSFORMER.
  4. CO1 THERMISTOR PROVIDES LOW TEMPERATURE PROTECTION FOR WATER. WHEN USING ANTI-FREEZE SOLUTION CUT JWP1 JUMPER.
  5. TYPICAL HEAT PUMP THERMOSTAT SHOWN. REFER TO THERMOSTAT INSTALLATION INSTRUCTIONS FOR WIRING TO UNIT. "O" TERMINAL ACTIVATES REVERSING VALVE FOR THE COOLING MODE.
  6. 24V ALARM SIGNAL SHOWN. FOR DRY ALARM CONTACT, CUT JW3 JUMPER.
  7. FOR BLOWER MOTOR SPEED SELECTION REFER TO MOTOR CONNECTION TABLE.
  8. ACCESSORY RELAYS ARE 24V. REFER TO INSTALLATION INSTRUCTIONS FOR PROPER DIP SWITCH SETTINGS.
  9. REFER TO VACATED PREMISES SWITCH INSTALLATION INSTRUCTIONS FOR APPLICATION AND SET-UP.



**CONTROLLER FAULT CODES**

DESCRIPTION OF OPERATION	LED Readout
NORMAL MODE	ON (Green Light)
CONTROLLER NON-FUNCTIONAL	OFF (Green Light)
TEST MODE (After shortest momentary)	ON (Yellow Light)
STANDBY	SI
FAN ONLY (G active)	Fo
COOL (Y1 & O active)	Co
HEAT 1 <sup>st</sup> STAGE (Y1 active)	H1
ACCESSORY RELAY 1	A1
ACCESSORY RELAY 2	A2
VACATED PREMISES CONTROL	Av
FAULTY RETRY	FE & CODE #
LOOKOUT	Lo & CODE #
OVER/UNDER VOLTAGE SHUTDOWN	On & CODE #
TEMPERATURE SENSOR ERROR	SE & CODE #
TEST MODE - NO FAULT	CODE 11
TEST MODE - HP FAULT	CODE 12
TEST MODE - LP FAULT	CODE 13
TEST MODE - CO1 FAULT	CODE 14
TEST MODE - CO2 FAULT	CODE 15
TEST MODE - COND. OVERFLOW FAULT	CODE 16
TEST MODE - OVER/UNDER SHUTDOWN	CODE 17
TEST MODE - SWAPPED CO1/CO2 THERMISTORS	CODE 18
TEST MODE - TEMPERATURE SENSOR ERROR	CODE 19

**MOTOR CONNECTION TABLE**

MODEL	HIGH (BLACK)	MED (BLU)	HIGH (RED)	LOW (ORG)	LOW (RED)	CAP
WS C.006	CAP	A	B	CAP	CAP	CAP
WSVC 042	A	B	CAP	A	B	CAP
WSVC 042	A	B	CAP	A	B	CAP
WS C.048	CAP	A	--	B	--	B
WS C.060	CAP	A	--	B	--	B

WSHC & WSVC - 230V-3PH PSC

WD79P008 Rev. C 9/20

\*CAP OFF UNUSED MOTOR LEADS

BLOWER MOTOR MULTISPEED (SEE MOTOR TABLE FOR PROPER SPEED CONNECTIONS)

NOTE: TERMINALS SUITABLE FOR COPPER CONDUCTORS ONLY

REMARQUE: UTILISER DES FLS D'ALIMENTATION EN CUIVRE

CLASS 2 WIRING

24VAC AT "A" WHEN COMPRESSOR IS ENERGIZED

OPTIONAL FAN/COMP INTRAL

OFF/ON ACC1 ACC2 ACC3 ACC4

1 ACC1 FAN/COMP INTRAL

2 ACC2 FAN/COMP INTRAL

3 ACC3 FAN/COMP INTRAL

4 ACC4 FAN/COMP INTRAL

5 ACC5 FAN/COMP INTRAL

6 ACC6 FAN/COMP INTRAL

7 ACC7 FAN/COMP INTRAL

8 ACC8 FAN/COMP INTRAL

9 ACC9 FAN/COMP INTRAL

10 ACC10 FAN/COMP INTRAL

11 ACC11 FAN/COMP INTRAL

12 ACC12 FAN/COMP INTRAL

13 ACC13 FAN/COMP INTRAL

14 ACC14 FAN/COMP INTRAL

15 ACC15 FAN/COMP INTRAL

16 ACC16 FAN/COMP INTRAL

17 ACC17 FAN/COMP INTRAL

18 ACC18 FAN/COMP INTRAL

19 ACC19 FAN/COMP INTRAL

20 ACC20 FAN/COMP INTRAL

21 ACC21 FAN/COMP INTRAL

22 ACC22 FAN/COMP INTRAL

23 ACC23 FAN/COMP INTRAL

24 ACC24 FAN/COMP INTRAL

25 ACC25 FAN/COMP INTRAL

26 ACC26 FAN/COMP INTRAL

27 ACC27 FAN/COMP INTRAL

28 ACC28 FAN/COMP INTRAL

29 ACC29 FAN/COMP INTRAL

30 ACC30 FAN/COMP INTRAL

31 ACC31 FAN/COMP INTRAL

32 ACC32 FAN/COMP INTRAL

33 ACC33 FAN/COMP INTRAL

34 ACC34 FAN/COMP INTRAL

35 ACC35 FAN/COMP INTRAL

36 ACC36 FAN/COMP INTRAL

37 ACC37 FAN/COMP INTRAL

38 ACC38 FAN/COMP INTRAL

39 ACC39 FAN/COMP INTRAL

40 ACC40 FAN/COMP INTRAL

41 ACC41 FAN/COMP INTRAL

42 ACC42 FAN/COMP INTRAL

43 ACC43 FAN/COMP INTRAL

44 ACC44 FAN/COMP INTRAL

45 ACC45 FAN/COMP INTRAL

46 ACC46 FAN/COMP INTRAL

47 ACC47 FAN/COMP INTRAL

48 ACC48 FAN/COMP INTRAL

49 ACC49 FAN/COMP INTRAL

50 ACC50 FAN/COMP INTRAL

51 ACC51 FAN/COMP INTRAL

52 ACC52 FAN/COMP INTRAL

53 ACC53 FAN/COMP INTRAL

54 ACC54 FAN/COMP INTRAL

55 ACC55 FAN/COMP INTRAL

56 ACC56 FAN/COMP INTRAL

57 ACC57 FAN/COMP INTRAL

58 ACC58 FAN/COMP INTRAL

59 ACC59 FAN/COMP INTRAL

60 ACC60 FAN/COMP INTRAL

61 ACC61 FAN/COMP INTRAL

62 ACC62 FAN/COMP INTRAL

63 ACC63 FAN/COMP INTRAL

64 ACC64 FAN/COMP INTRAL

65 ACC65 FAN/COMP INTRAL

66 ACC66 FAN/COMP INTRAL

67 ACC67 FAN/COMP INTRAL

68 ACC68 FAN/COMP INTRAL

69 ACC69 FAN/COMP INTRAL

70 ACC70 FAN/COMP INTRAL

71 ACC71 FAN/COMP INTRAL

72 ACC72 FAN/COMP INTRAL

73 ACC73 FAN/COMP INTRAL

74 ACC74 FAN/COMP INTRAL

75 ACC75 FAN/COMP INTRAL

76 ACC76 FAN/COMP INTRAL

77 ACC77 FAN/COMP INTRAL

78 ACC78 FAN/COMP INTRAL

79 ACC79 FAN/COMP INTRAL

80 ACC80 FAN/COMP INTRAL

81 ACC81 FAN/COMP INTRAL

82 ACC82 FAN/COMP INTRAL

83 ACC83 FAN/COMP INTRAL

84 ACC84 FAN/COMP INTRAL

85 ACC85 FAN/COMP INTRAL

86 ACC86 FAN/COMP INTRAL

87 ACC87 FAN/COMP INTRAL

88 ACC88 FAN/COMP INTRAL

89 ACC89 FAN/COMP INTRAL

90 ACC90 FAN/COMP INTRAL

91 ACC91 FAN/COMP INTRAL

92 ACC92 FAN/COMP INTRAL

93 ACC93 FAN/COMP INTRAL

94 ACC94 FAN/COMP INTRAL

95 ACC95 FAN/COMP INTRAL

96 ACC96 FAN/COMP INTRAL

97 ACC97 FAN/COMP INTRAL

98 ACC98 FAN/COMP INTRAL

99 ACC99 FAN/COMP INTRAL

100 ACC100 FAN/COMP INTRAL

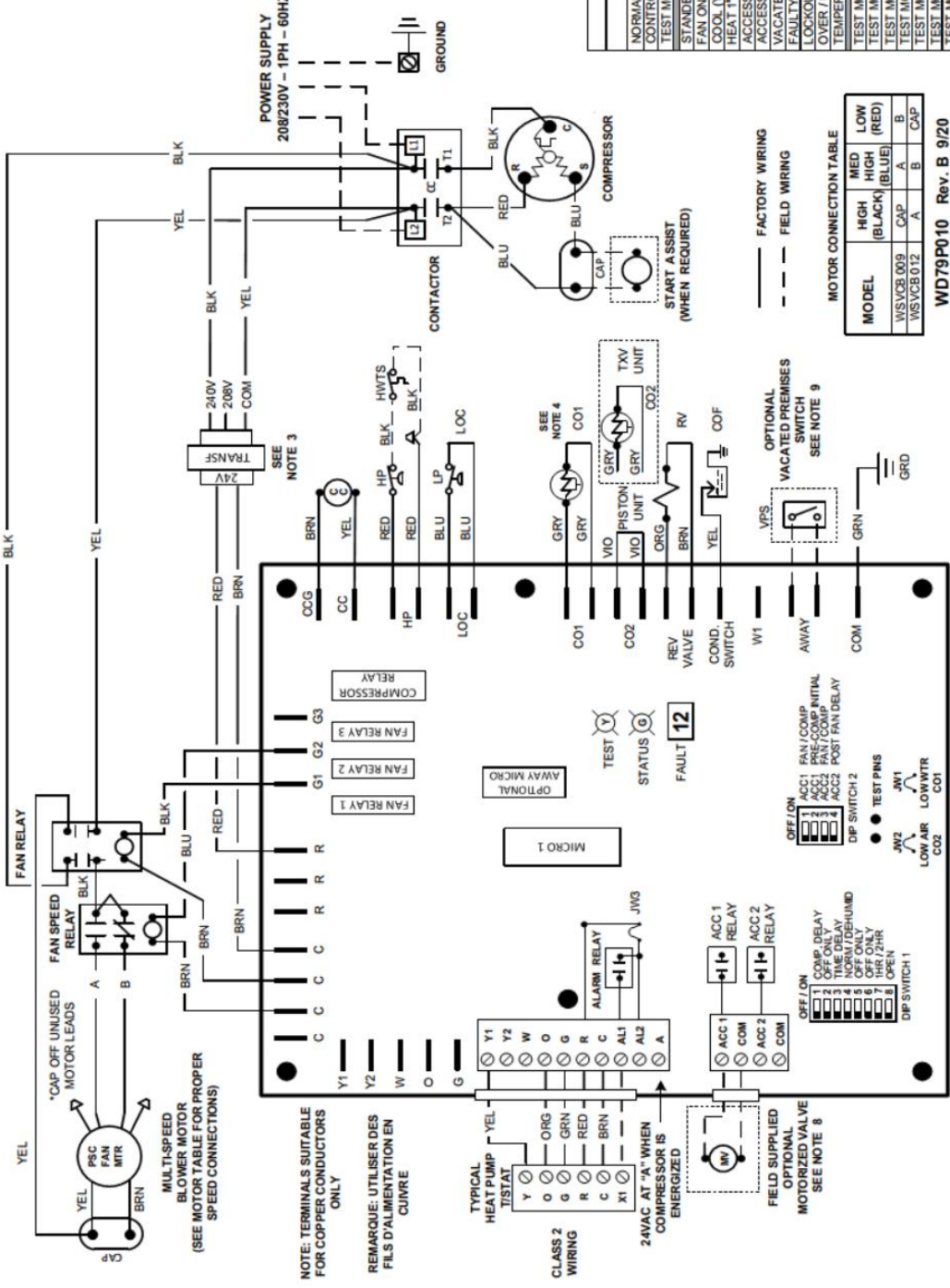




### LEGEND

AL	ALARM
ACC	COMPRESSOR CONTACTOR
CC	CONDENSATE OVERFLOW SENSOR
CO1	SENSOR, LOW TEMP PROTECTION, WATER COIL
CO2	SENSOR, LOW TEMP PROTECTION, AIR COIL
HP	HIGH PRESSURE SWITCH
HMTS	HIGH LEAVING WATER TEMP SWITCH (OPTIONAL)
JP1	JUMPER ALARM
LP	LOW PRESSURE SWITCH
LOC	LOSSES OF CHARGE PRESSURE SWITCH
MV	MOTORIZED VALVE
RV	REVERSING VALVE

- NOTES:**
1. COMPRESSOR AND BLOWER MOTOR ARE THERMALLY PROTECTED INTERNALLY.
  2. ALL WIRING TO THE UNIT MUST COMPLY WITH NEC AND LOCAL CODES.
  3. 208-240V-1-60 UNITS ARE WIRED FOR 240V OPERATION. FOR 208V-1-60 OPERATION SWITCH BLACK WIRE TO 208V TAP ON THE TRANSFORMER.
  4. CO1 THERMISTOR PROVIDES LOW TEMPERATURE PROTECTION FOR WATER. WHEN USING ANTI-FREEZE SOLUTION CUT JW1 JUMPER.
  5. TYPICAL HEAT PUMP THERMOSTAT SHOWN. REFER TO THERMOSTAT INSTALLATION INSTRUCTIONS FOR WIRING TO UNIT. "O" TERMINAL ACTIVATES REVERSING VALVE FOR THE COOLING MODE.
  6. 24V ALARM SIGNAL SHOWN. FOR DRY ALARM CONTACT, CUT JW3 JUMPER.
  7. FOR BLOWER MOTOR SPEED SELECTION REFER TO MOTOR CONNECTION TABLE.
  8. ACCESSORY RELAYS ARE 24V. REFER TO INSTALLATION INSTRUCTIONS FOR PROPER DIP SWITCH SETTINGS.
  9. REFER TO VACATED PREMISES SWITCH INSTALLATION INSTRUCTIONS FOR APPLICATION AND SET-UP.



### CONTROLLER FAULT CODES

DESCRIPTION OF OPERATION	LED Readout
NORMAL MODE	ON (Green Light)
CONTROLLER NON-FUNCTIONAL	OFF (Green Light)
TEST MODE (pins shorted momentarily)	ON (Yellow Light)
STANDBY	SL
FAN ONLY (G active)	Fo
COOL (Y1 & O active)	Co
HEAT (M STAGE (Y1 active))	H1
ACCESSORY RELAY 1	A1
ACCESSORY RELAY 2	A2
VACATED PREMISES CONTROL	Av
FAULTY RETRY	FE & CODE #
LOG/OUT	LO & CODE #
OVER UNDER VOLTAGE SHUTDOWN	OU & CODE #
TEMPERATURE SENSOR ERROR	SE & CODE #
TEST MODE – NO FAULT	CODE 11
TEST MODE – HP FAULT	CODE 12
TEST MODE – LP FAULT	CODE 13
TEST MODE – CO1 FAULT	CODE 14
TEST MODE – CO2 FAULT	CODE 15
TEST MODE – COND. OVER/LOW FAULT	CODE 16
TEST MODE – SWAP/UNDER SHUTDOWN	CODE 17
TEST MODE – SWAPPED CO1 / CO2 THERMOSTATS	CODE 18
TEST MODE – TEMPERATURE SENSOR ERROR	CODE 19

NOTE: TERMINALS SUITABLE FOR COPPER CONDUCTORS ONLY

REMARQUE: UTILISER DES FILS D'ALIMENTATION EN CUIVRE

CLASS 2 WIRING

24VAC AT "A" WHEN COMPRESSOR IS ENERGIZED

FIELD SUPPLIED MOTORIZED VALVE SEE NOTE 8

OFF/ON  
1 COMP. DELAY  
2 OFF ONLY  
3 NORM/DEHUMID  
4 OFF ONLY  
5 HR ONLY  
6 HR ONLY  
7 HR ONLY  
8 OPEN  
DP SWITCH 1

OFF/ON  
ACC1 FAN/COMP  
ACC2 PRE-COMP. INITIAL  
ACC3 POST FAN DELAY  
DP SWITCH 2

OPTIONAL  
ACC1 FAN/COMP  
ACC2 PRE-COMP. INITIAL  
ACC3 POST FAN DELAY  
DP SWITCH 2

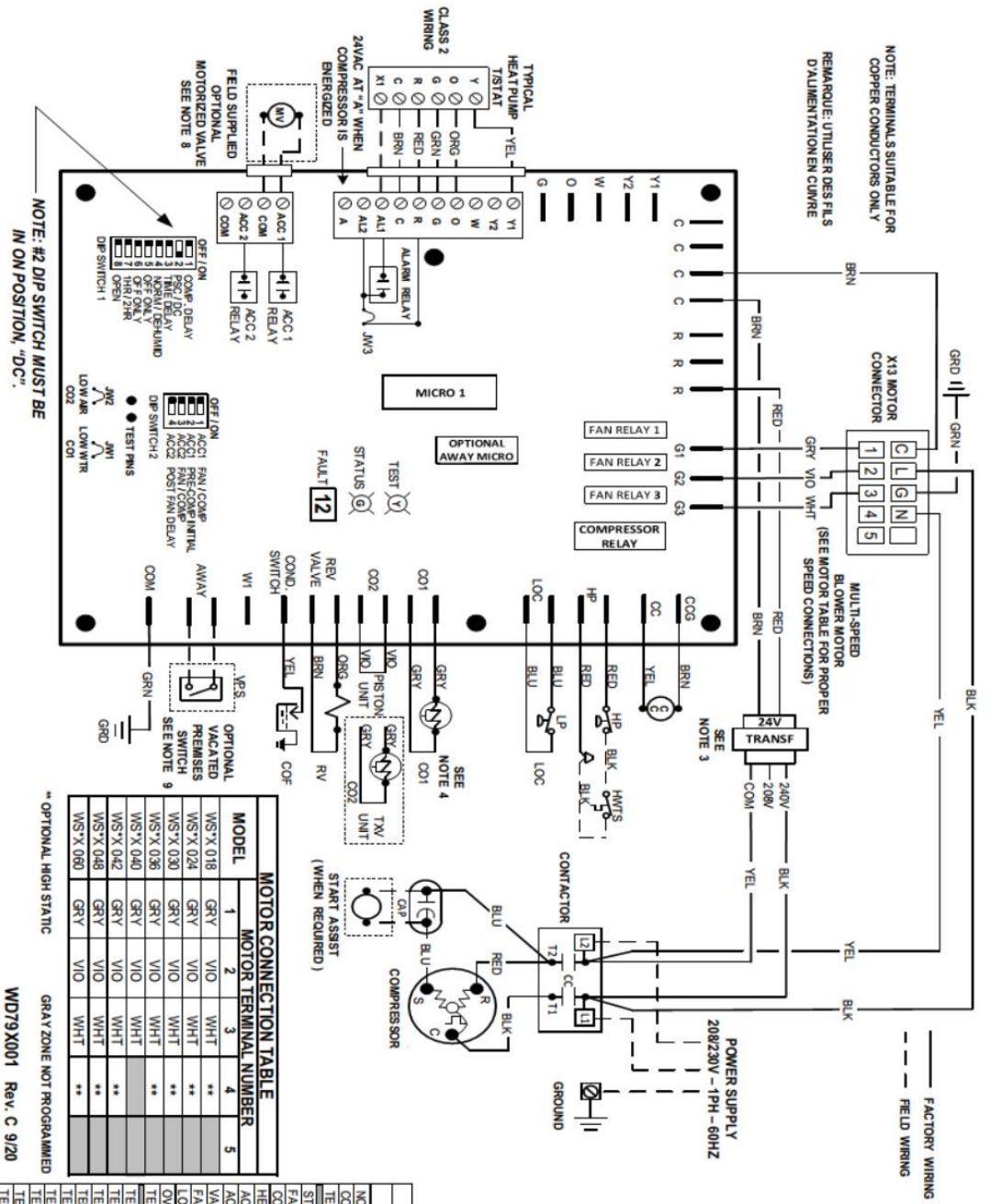
OPTIONAL  
ACC1 FAN/COMP  
ACC2 PRE-COMP. INITIAL  
ACC3 POST FAN DELAY  
DP SWITCH 2

OPTIONAL  
ACC1 FAN/COMP  
ACC2 PRE-COMP. INITIAL  
ACC3 POST FAN DELAY  
DP SWITCH 2

OPTIONAL  
ACC1 FAN/COMP  
ACC2 PRE-COMP. INITIAL  
ACC3 POST FAN DELAY  
DP SWITCH 2

OPTIONAL  
ACC1 FAN/COMP  
ACC2 PRE-COMP. INITIAL  
ACC3 POST FAN DELAY  
DP SWITCH 2

OPTIONAL  
ACC1 FAN/COMP  
ACC2 PRE-COMP. INITIAL  
ACC3 POST FAN DELAY  
DP SWITCH 2



**LEGEND**

AL ALARM  
 CC COMPRESSOR CONTACTOR  
 COF CONDENSATE OVERFLOW SENSOR  
 CO1 SENSOR, LOW TEMP PROTECTION, WATER COIL  
 CO2 SENSOR, LOW TEMP PROTECTION, AIR COIL  
 HP HIGH PRESSURE SWITCH  
 HWT HIGH LEAVING WATER TEMP SWITCH (OPTIONAL)  
 JP1 JUMPER ALARM  
 LP LOW PRESSURE SWITCH  
 LOC LOSS OF CHARGE PRESSURE SWITCH  
 MV MOTORIZED VALVE  
 RV REVERSING VALVE

**NOTES:**

- COMPRESSOR AND BLOWER MOTOR ARE THERMALLY PROTECTED INTERNALLY.
- ALL WIRING TO THE UNIT MUST COMPLY WITH NEC AND LOCAL CODES.
- 208-240V-1-60 UNITS ARE WIRED FOR 240V OPERATION. FOR 208V-1-60 OPERATION SWITCH BLACK WIRE TO 208V TAP ON THE TRANSFORMER.
- CO1 THERMOSTAT PROVIDES LOW TEMPERATURE PROTECTION FOR WATER. WHEN USING ANTI-FREEZE SOLUTION CUT JW1 JUMPER.
- TYPICAL HEAT PUMP THERMOSTAT SHOWS. REFER TO THERMOSTAT INSTALLATION INSTRUCTIONS FOR WIRING TO UNIT. \* TERMINAL ACTIVATES REVERSING VALVE FOR THE COOLING MODE.
- 24V ALARM SIGNAL SHOWN FOR DRY ALARM CONTACT, OUT JMS JUMPER.
- FOR BLOWER MOTOR SPEED SELECTION REFER TO MOTOR CONNECTION TABLE.
- ACCESSORY RELAYS ARE 24V. REFER TO INSTALLATION INSTRUCTIONS FOR PROPER DIP SWITCH SETTINGS.
- REFER TO VACATED PREMISES SWITCH INSTALLATION INSTRUCTIONS FOR APPLICATION AND SET-UP.

**CONTROL PANEL FAULT CODES**

DESCRIPTION OF OPERATION	LED Readout
NORMAL MODE	ON (Green Light)
CONTROLLER NON-FUNCTIONAL	OFF (Green Light)
TEST MODE (this symbol is not illuminated)	ON (Yellow Light)
STANDBY	SI
FAN ONLY (G and H)	Fa
COOL (V1 & V2 and H)	Co
HEAT (T STAGE (V1 and H))	H1
ACCESSORY RELAY 1	A1
ACCESSORY RELAY 2	A2
VACATED PREMISES CONTROL	Vp
FAULTY RETRY	F & CODE #
LOOKOUT	LO & CODE #
OVER R/ UNDER VOLTAGE SHUTDOWN	OV & CODE #
TEMPERATURE SENSOR ERROR	SE & CODE #
TEST MODE - NO FAULT	CODE 11
TEST MODE - HP FAULT	CODE 12
TEST MODE - LP FAULT	CODE 13
TEST MODE - IP FAULT	CODE 14
TEST MODE - CO1 FAULT	CODE 15
TEST MODE - CO2 FAULT	CODE 16
TEST MODE - COND. OVERFLOW FAULT	CODE 17
TEST MODE - OVER R/ UNDER SHUTDOWN	CODE 18
TEST MODE - SWAPPED CO1 / CO2 THERMOSTATS	CODE 19
TEST MODE - TEMPERATURE SENSOR ERROR	CODE 19

**MOTOR CONNECTION TABLE**

MODEL	1	2	3	4	5
WS-X-018	GRY	VIO	WHT	**	**
WS-X-024	GRY	VIO	WHT	**	**
WS-X-030	GRY	VIO	WHT	**	**
WS-X-036	GRY	VIO	WHT	**	**
WS-X-040	GRY	VIO	WHT	**	**
WS-X-042	GRY	VIO	WHT	**	**
WS-X-048	GRY	VIO	WHT	**	**
WS-X-060	GRY	VIO	WHT	**	**

**MOTOR TERMINAL NUMBER**

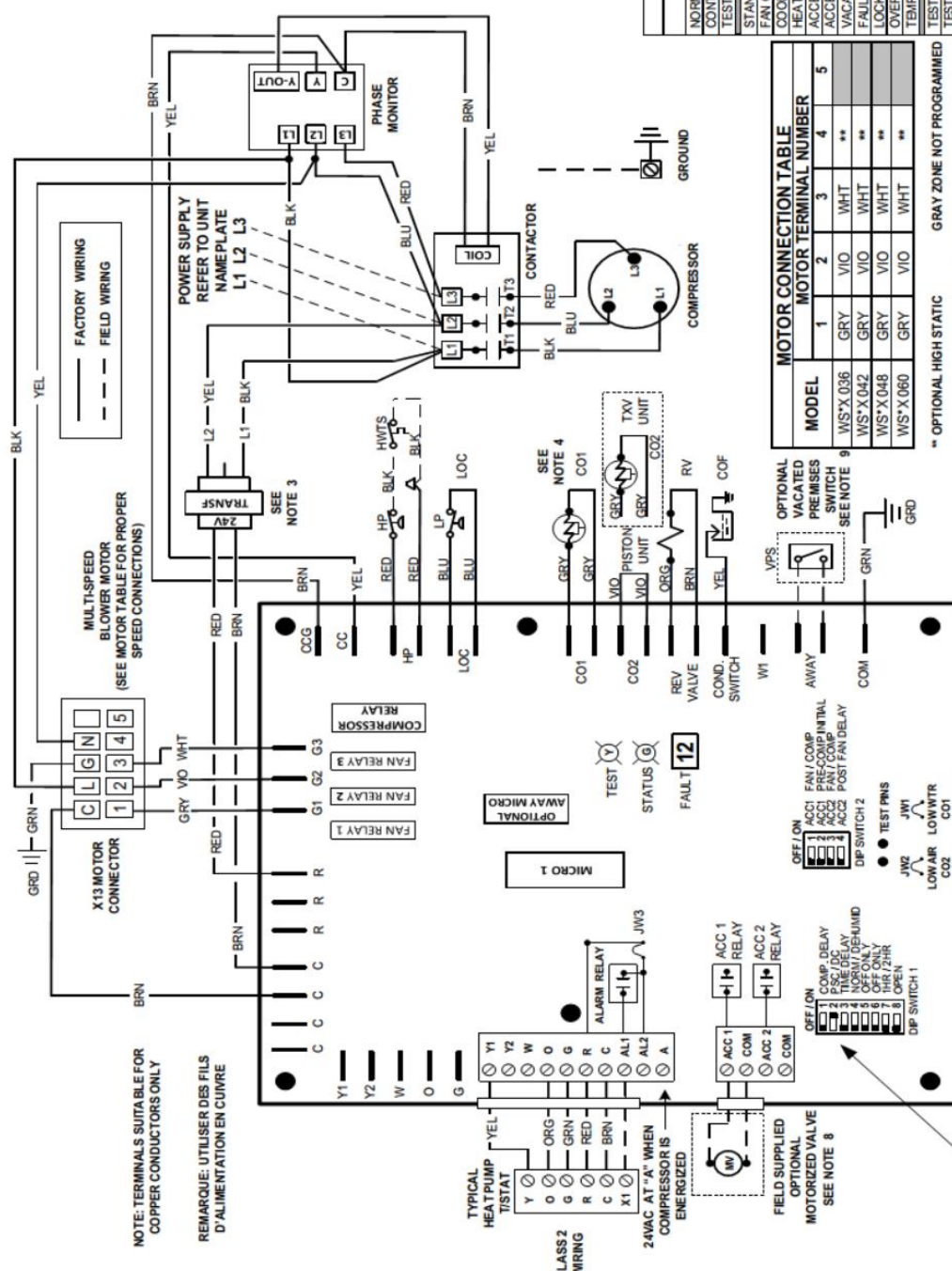
1 2 3 4 5



### LEGEND

AL	ALARM
CC	COMPRESSOR CONTACTOR
CCF	CONDENSATE OVERFLOW SENSOR
CO1	SENSOR, LOW TEMP PROTECTION, WATER COIL
CO2	SENSOR, LOW TEMP PROTECTION, AIR COIL
HP	HIGH PRESSURE SWITCH
HWTS	HIGH LEAVING WATER TEMP SWITCH (OPTIONAL)
JP1	JUMPER ALARM
LP	LOW PRESSURE SWITCH
LOC	LOSS OF CHARGE PRESSURE SWITCH
MV	MOTORIZED VALVE
RV	REVERSING VALVE

- NOTES:
1. COMPRESSOR AND BLOWER MOTOR ARE THERMALLY PROTECTED INTERNALLY.
  2. ALL WIRING TO THE UNIT MUST COMPLY WITH NEC AND LOCAL CODES.
  3. 208V-1-60 UNITS ARE WIRED FOR 240V OPERATION. FOR 208V-1-60 OPERATION SWITCH BLACK WIRE TO 208V TAP ON THE TRANSFORMER.
  4. CO1 THERMISTOR PROVIDES LOW TEMPERATURE PROTECTION FOR WATER. WHEN USING ANTI-FREEZE SOLUTION CUT JW1 JUMPER.
  5. TYPICAL HEAT PUMP THERMOSTAT SHOWN. REFER TO THERMOSTAT INSTALLATION INSTRUCTIONS FOR WIRING TO UNIT. 'O' TERMINAL ACTIVATES REVERSING VALVE FOR THE COOLING MODE.
  6. 24V ALARM SIGNAL SHOWN. FOR DRY ALARM CONTACT, CUT JW3 JUMPER.
  7. FOR BLOWER MOTOR SPEED SELECTION REFER TO MOTOR CONNECTION TABLE.
  8. ACCESSORY RELAYS ARE 24V. REFER TO INSTALLATION INSTRUCTIONS FOR PROPER DIP SWITCH SETTINGS.
  9. REFER TO VACATED PREMISES SWITCH INSTALLATION INSTRUCTIONS FOR APPLICATION AND SET-UP.



### CONTROLLER FAULT CODES

DESCRIPTION OF OPERATION	LED Readout
NORMAL MODE	ON (Green Light)
CONTROLLER NON-FUNCTIONAL	OFF (Green Light)
TEST MODE (pins shorted momentarily)	ON (Yellow Light)
STANDBY	SI
FAN ONLY (G active)	Fo
COOL (Y1 & O active)	Co
HEAT 1 <sup>st</sup> STAGE (Y1 active)	H1
ACCESSORY RELAY 1	A1
ACCESSORY RELAY 2	A2
VACATED PREMISES CONTROL	Av
FAULTY RETRY	RE & CODE #
LOCKOUT	Lo & CODE #
OVER/UNDER VOLTAGE SHUTDOWN	Ou & CODE #
TEMPERATURE SENSOR ERROR	SE & CODE #
TEST MODE - NO FAULT	CODE 11
TEST MODE - HP FAULT	CODE 12
TEST MODE - LP FAULT	CODE 13
TEST MODE - CO1 FAULT	CODE 14
TEST MODE - CO2 FAULT	CODE 15
TEST MODE - COND. OVERFLOW FAULT	CODE 16
TEST MODE - OVER/UNDER SHUTDOWN	CODE 17
TEST MODE - SWAPPED COIL/CO2 THERMOSTORS	CODE 18
TEST MODE - TEMPERATURE SENSOR ERROR	CODE 19

### MOTOR CONNECTION TABLE

MODEL	MOTOR TERMINAL NUMBER			
1	2	3	4	5
WS*X 036	GRY	WHT	**	**
WS*X 042	GRY	VIO	WHT	**
WS*X 048	GRY	VIO	WHT	**
WS*X 060	GRY	VIO	WHT	**

\*\* OPTIONAL HIGH STATIC GRAY ZONE NOT PROGRAMMED  
WSHX & WSVX - 3PH

WD79X003 Rev. C 9/20

NOTE: TERMINALS SUITABLE FOR COPPER CONDUCTORS ONLY

REMARQUE: UTILISER DES FILS D'ALUMINATION EN CUIVRE

NOTE: #2 DIP SWITCH MUST BE IN ON POSITION, "DC".

# UNIT CHECK-OUT SHEET

## Customer Data

Customer Name \_\_\_\_\_ Date \_\_\_\_\_  
Address \_\_\_\_\_  
Phone \_\_\_\_\_ Unit Number \_\_\_\_\_

## Unit Nameplate Data

Unit Model Number \_\_\_\_\_ Serial Number \_\_\_\_\_  
Refrigerant Charge (oz) \_\_\_\_\_  
Compressor: RLA \_\_\_\_\_ LRA \_\_\_\_\_  
Blower Motor: FLA \_\_\_\_\_ HP \_\_\_\_\_  
Minimum Circuit Ampacity (Amps) \_\_\_\_\_  
Maximum Overcurrent Protection (Amps) \_\_\_\_\_

## Operating Conditions

	Cooling Mode	Heating Mode
Entering / Leaving Air Temp.	_____ / _____	_____ / _____
Entering Air Measured at:	_____ / _____	_____ / _____
Leaving Air Measured at:	_____ / _____	_____ / _____
Entering / Leaving Fluid Temp.	_____ / _____	_____ / _____
Fluid Flow (GPM)	_____ / _____	_____ / _____
Fluid Side Pressure Drop:	_____ / _____	_____ / _____
Suction / Discharge Press. (psig)	_____ / _____	_____ / _____
Suction / Discharge Temp.	_____ / _____	_____ / _____
Suction Superheat	_____ / _____	_____ / _____
Entering Metering Device Temp.	_____ / _____	_____ / _____
Liquid Subcooling	_____ / _____	_____ / _____
Compressor Volts / Amps	_____ / _____	_____ / _____
Blower Motor Volts / Amps	_____ / _____	_____ / _____

## TROUBLESHOOTING

PROBLEM	POSSIBLE CAUSE	CHECKS AND CORRECTIONS
<b>ENTIRE UNIT DOES NOT RUN</b>	Power supply off	Apply power, close disconnect
	Blown Fuse	Replace fuse or reset circuit breaker. Check for correct fuses.
	Voltage supply low	If voltage is below minimum voltage specified on unit dataplate, contact local power company. (Fault Code - Ou & 17)
	Thermostat	Set the fan to "ON", the fan should run. Set thermostat to "COOL" and lowest temperature setting, the unit should run in the cooling mode (reversing valve energized). Set unit to "HEAT" and the highest temperature setting, the unit should run in the heating mode. If neither the blower or compressor run in all three cases, the thermostat could be miswired or faulty. To ensure miswired or faulty thermostat verify 24 volts is available on the condenser section low voltage terminal strip between "R" and "C", "Y" and "C", and "O" and "C". If blower does not operate, verify 24 volts between terminals "G" and "C" in the air handler. Replace the thermostat if defective.
<b>BLOWER OPERATES BUT COMPRESSOR DOES NOT RUN</b>	Thermostat	Check setting, calibration and wiring
	Wiring	Check for loose or broken wires at compressor, capacitor or contactor.
	Safety Controls	Check control board fault LED for fault code.
	Compressor overload open	If the compressor is cool and the overload will not reset, replace the compressor.
	Compressor motor grounded	Internal wiring grounded to the compressor shell. Replace compressor. If compressor burnout, install new filter dryer.
	Compressor windings open	After compressor has cooled, check continuity of compressor windings. If the windings are open, replace the compressor.
<b>UNIT OFF ON HIGH PRESSURE CONTROL FAULT CODE 12</b>	Discharge pressure too high	In "Cooling" mode: Lack of or inadequate water flow. Entering water temperature too warm. Scaled or restricted water to refrigerant heat exchanger. In "HEATING" mode: Lack of or inadequate airflow. Blower inoperative, clogged filter or restrictions in ductwork.
	Refrigerant charge	The unit is overcharged with refrigerant. Reclaim refrigerant, evacuate and recharge with factory recommended charge.
	High pressure switch	Check for defective or improperly calibrated high pressure switch.
<b>UNIT OFF ON LOW PRESSURE CONTROL FAULT CODE 13</b>	Suction pressure too low	In "Cooling" mode: Lack of or inadequate airflow. Entering air temperature too cold. Blower inoperative, clogged filter or restriction in ductwork. In "HEATING" mode: Lack of or inadequate water flow. Entering water temperature too cold. Scaled or restricted water to refrigerant heat exchanger.
	Refrigerant charge	The unit is low on refrigerant. Check for refrigerant leak, repair, evacuate and recharge with factory recommended charge.
	Low pressure switch	Check for defective or improperly calibrated low pressure switch.
<b>UNIT SHORT CYCLES</b>	Unit oversized	Recalculate heating and cooling loads.
	Thermostat	Thermostat installed near a supply air register, relocate thermostat. Check heat anticipator.
	Wiring and controls	Loose connections in the wiring or a defective compressor contactor.
<b>INSUFFICIENT COOLING OR HEATING</b>	Unit undersized	Recalculate heating and cooling loads. If not excessive, possibly adding insulation will rectify the situation.
	Loss of conditioned air by leaks	Check for leaks in ductwork or introduction of ambient air through doors or windows.
	Airflow	Lack of adequate airflow or improper distribution of air. Replace dirty air filter.
	Refrigerant charge	Low on refrigerant charge causing inefficient operation.
	Compressor	Check for defective compressor. If discharge is too low and suction pressure is too high, compressor is not pumping properly. Replace compressor.
	Reversing valve	Defective reversing valve creating bypass of refrigerant from discharge to suction side of compressor. Discharge is too low and suction pressure is too high. Replace reversing valve.
	Operating pressures	Compare unit operating pressures to the pressure / temperature chart for the unit.
	Refrigerant metering device	Check for possible restriction or defect. Replace if necessary.
	Moisture, non-condensables	The refrigerant system may be contaminated with moisture or non-condensables. Reclaim refrigerant, evacuate and recharge with factory recommended charge. Replace filter dryer.





**P.O. BOX 270969, Dallas, TX 75227**

**[www.firstco.com](http://www.firstco.com) or [www.ae-air.com](http://www.ae-air.com)**

The manufacturer works to continually improve its products. It reserves the right to change design and specifications without notice.

©2022 First Co., Applied Environmental Air