

# T36IR900SP

## 36-INCH BUILT-IN FRESH FOOD COLUMN

FREEDOM® COLLECTION, PANEL-READY



### FEATURES & BENEFITS

- Freedom® Hinge enables true flush design
- Open Door Assist automatic door opening with just a slight push or a pull
- Delicate Produce Bins for expanded storage
- ThermaFresh System, Humidity and Temperature controlled drawers
- SoftClose® Drawers and Produce Bins for easy and controlled storage
- Sleek clean design for the perfect symmetry when paired with additional columns
- TFT control panel managing all your columns functions

### TEMPERATURE RANGES

Refrigerator	35°F (2°C) to 46°F (8°C)
Refrigerator Temperature Controlled Drawer	32°F (0°C) to 46°F (8°C)
Super Cool	35.5°F (2°C) for approximately 9 hours

### GENERAL PROPERTIES

Panel Ready	Yes
Reversible Door Swing	Yes
SoftClose® Drawers	Yes
Carbon Air Filter	Yes
Lighting	New Bar ALL LED Sidewall and Theater Lighting
Full Width / Adjustable Shelves	Yes / Yes
Freezer Shelves	0
Shelf Material	Glass w/Aluminum Profile
Full Extension Drawers @ 115° Door Opening Angle	Yes
Full Extension Drawers @ 90° Door Opening Angle	Yes
Temperature / Humidity Controlled Drawer	1 / 1
General Use Drawer	1
Door / Gallon Bins	1 / 1
Delicate Produce Bins	1 Small, 2 Large
External LED Proximity Sensor	No
Oversized Dispenser Opening	No
Chilled Water, Crushed and Cubed Ice	No
Rapid Water Replenishment System	No
Ice Maker with Diamond Ice System	No
Door Open Alarms	Yes
Open Door Assist	Yes
Special Modes	Yes

### CAPACITY

Total Unit Gross Capacity (cu. ft.) – AHAM	19.7 cu. ft.
Refrigerator Gross Capacity (cu. ft.)	19.7 cu. ft.

### TECHNICAL DETAILS

Watts (W)	180 W
Current (A)	15 A
Volts (V)	120 V - 3 prong
Frequency (Hz)	60 Hz
Power Cord Length (in.)	139
Plug Type	120V-3 Prong

### DIMENSIONS & WEIGHT

Appliance Dimensions (H x W x D) (in.)	84" x 35 3/4" x 24 3/4"
Required Cutout Size (H x W x D) (in.)	84" x 36" x 24" or 25"
Net / Gross Weight (lbs)	450 / 491 lbs

### EFFICIENCY

ENERGY STAR® Qualified	Yes
Annual Energy Consumption	313

\*Height adjustable + / -1/2" (+ / -13 mm)

\*\*Sealed refrigeration system includes compressor, evaporator, condenser, dryer / strainer and connection tubing

# T36IR900SP

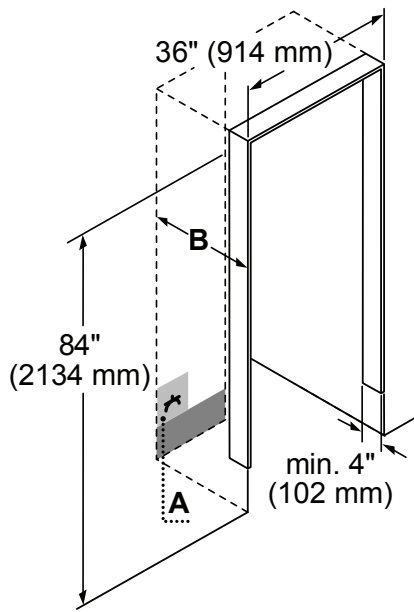
## 36-INCH BUILT-IN FRESH FOOD COLUMN

FREEDOM® COLLECTION, PANEL-READY



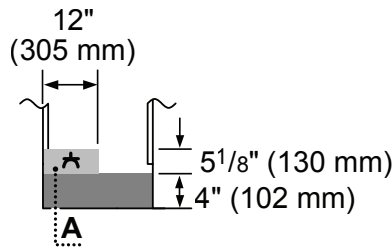
WARRANTY	
Limited, Entire Appliance, Parts and Labor on Any Part of the Refrigerator that Fails Because of a Manufacturing Defect	2 Year
Limited Warranty for Sealed Refrigeration System*; Parts and Labor	3rd to 6th Year
Limited Warranty for Sealed Refrigeration System*; Parts Only	7th to 12th Year
Limited Warranty for Stainless Steel Rust-Through	Lifetime

### CUTOUT DIMENSIONS

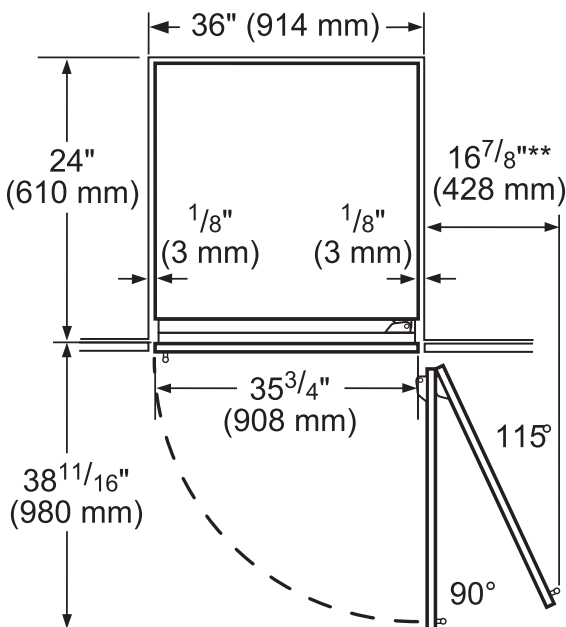


A: Area for installation of power connection.

B: Niche depth depends on kitchen design.

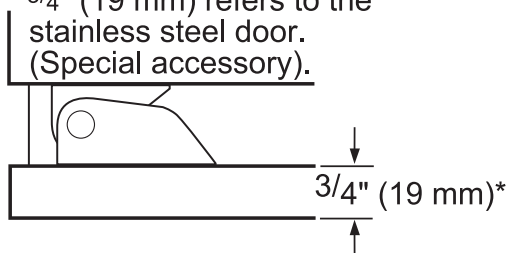


### TOP VIEW CLEARANCE



\*\* Door handle must be added to this measurement

\* Depends on the thickness of the unit door.  
3/4" (19 mm) refers to the stainless steel door. (Special accessory).

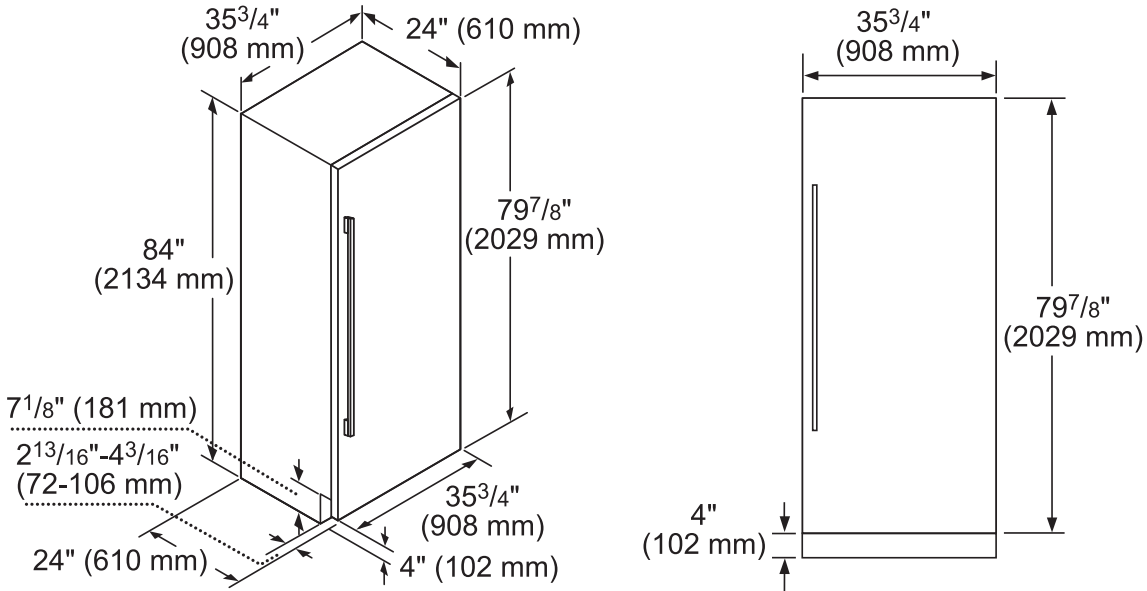


# T36IR900SP 36-INCH BUILT-IN FRESH FOOD COLUMN

FREEDOM® COLLECTION, PANEL-READY



## PANEL DIMENSIONS



These warranties give you specific legal rights and you may have other rights that vary from state to state. Full warranty and limited warranty from date of installation. For complete warranty details, refer to your Use & Care manual, or ask your dealer.

Specifications are for planning purposes only. Refer to installation instructions and consult your countertop supplier prior to making counter opening. Consult with a heating and ventilation engineer for your specific ventilation requirements. For the most detailed information, refer to installation instructions accompanying product or write to Thermador indicating the model number. Specifications are correct at time of printing. Thermador reserves the right to change product specifications or design without notice. Some models are certified for use in Canada. Thermador is not responsible for products that are transported from the U.S. for use in Canada.