

T30BB920SS

30-INCH STAINLESS STEEL BUILT-IN 2-DOOR BOTTOM FREEZER, PRE-ASSEMBLED

FREEDOM® COLLECTION, PROFESSIONAL SERIES HANDLES



Also Available In:
T30BB920SS – Masterpiece® Series Handles

FEATURES & BENEFITS

- Freedom® Hinge enables true flush design
- Open Door Assist automatic door opening with just a slight push or a pull
- Delicate Produce Bins for expanded storage
- ThermaFresh System, Humidity and Temperature controlled drawers
- SoftClose® Drawers and Produce Bins for easy and controlled storage
- Sleek clean design for the perfect symmetry when paired with additional columns
- TFT control panel managing all your columns functions

TEMPERATURE RANGES

Refrigerator	35°F (2°C) to 46°F (8°C)
Freezer	-9°F (-23°C) to 7°F (14°C)
Super Freeze	-9°F (-23°C) for approximately 52 hours
Super Cool	35.5°F (2°C) for approximately 9 hours

GENERAL PROPERTIES

Panel Ready	SS
Reversible Door Swing	Yes
SoftClose® Drawers	Yes
Carbon Air Filter	Yes
Lighting	New Bar ALL LED Sidewall and Theater Lighting
Full Width / Adjustable Shelves	Yes / Yes
Freezer Shelves	0
Shelf Material	Glass w/Aluminum Profile
Full Extension Drawers @ 115° Door Opening Angle	Yes
Full Extension Drawers @ 90° Door Opening Angle	Yes
Temperature / Humidity Controlled Drawer	0 / 1
General Use Drawer	1
Door / Gallon Bins	1 / 1
Delicate Produce Bins	2 Large
External LED Proximity Sensor	No
Oversized Dispenser Opening	No
Chilled Water, Crushed and Cubed Ice	No
Rapid Water Replenishment System	No
Ice Maker with Diamond Ice System	Yes
Door Open Alarms	Yes
Open Door Assist	Yes
Special Modes	Yes

CAPACITY

Total Unit Gross Capacity (cu. ft.) – AHAM	16.2 cu. ft.
Freezer Gross Capacity (cu. ft.)	4.8 cu. ft.
Refrigerator Gross Capacity (cu. ft.)	11.4 cu. ft.

TECHNICAL DETAILS

Watts (W)	588 W
Current (A)	15 A
Volts (V)	120 V - 3 prong
Frequency (Hz)	60 Hz
Power Cord Length (in.)	139
Plug Type	120V-3 Prong

DIMENSIONS & WEIGHT

Appliance Dimensions (H x W x D) (in.)	84" x 29 3/4" x 24 3/4"
Required Cutout Size (H x W x D) (in.)	84" x 30" x 25"
Net / Gross Weight (lbs)	437 / 478 lbs

EFFICIENCY

ENERGY STAR® Qualified	Yes
Annual Energy Consumption	511

*Height adjustable + / -1/2" (+ / -13 mm)

**Sealed refrigeration system includes compressor, evaporator, condenser, dryer / strainer and connection tubing

T30BB920SS

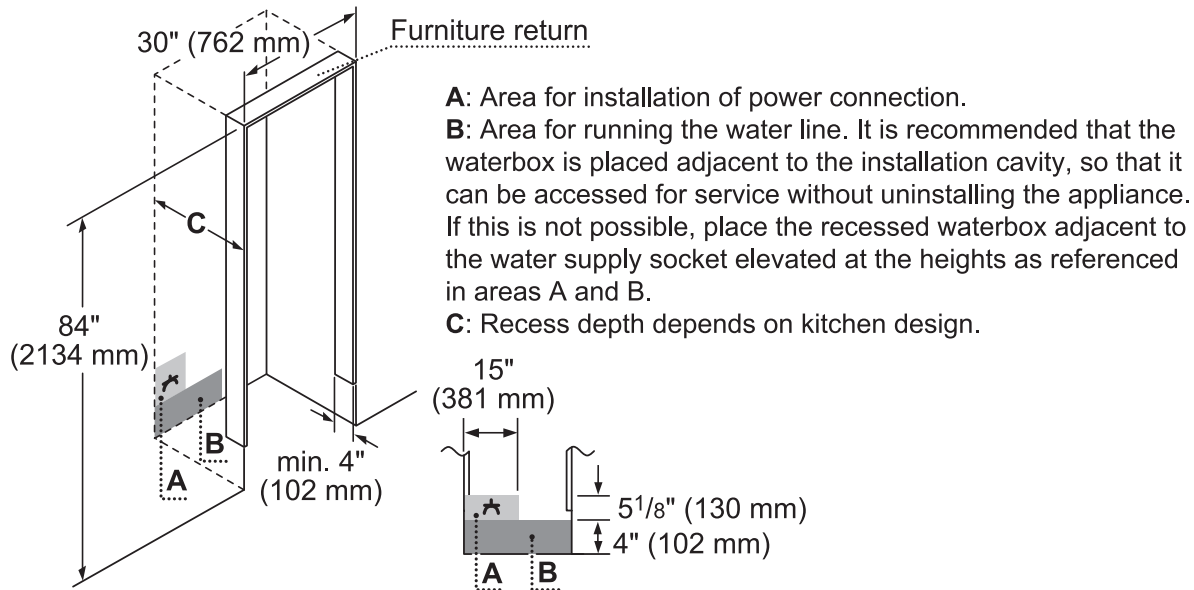
30-INCH STAINLESS STEEL BUILT-IN 2-DOOR BOTTOM FREEZER, PRE-ASSEMBLED



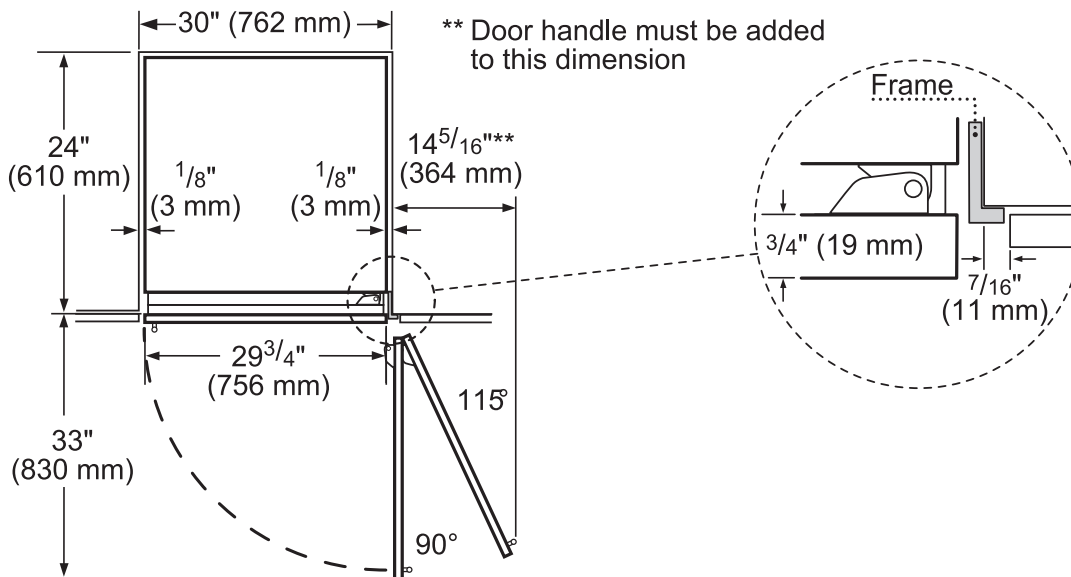
FREEDOM® COLLECTION, PROFESSIONAL SERIES HANDLES

WARRANTY	
Limited, Entire Appliance, Parts and Labor on Any Part of the Refrigerator that Fails Because of a Manufacturing Defect	2 Year
Limited Warranty for Sealed Refrigeration System*; Parts and Labor	3rd to 6th Year
Limited Warranty for Sealed Refrigeration System*; Parts Only	7th to 12th Year
Limited Warranty for Stainless Steel Rust-Through	Lifetime

CUTOUT DIMENSIONS



TOP VIEW CLEARANCE



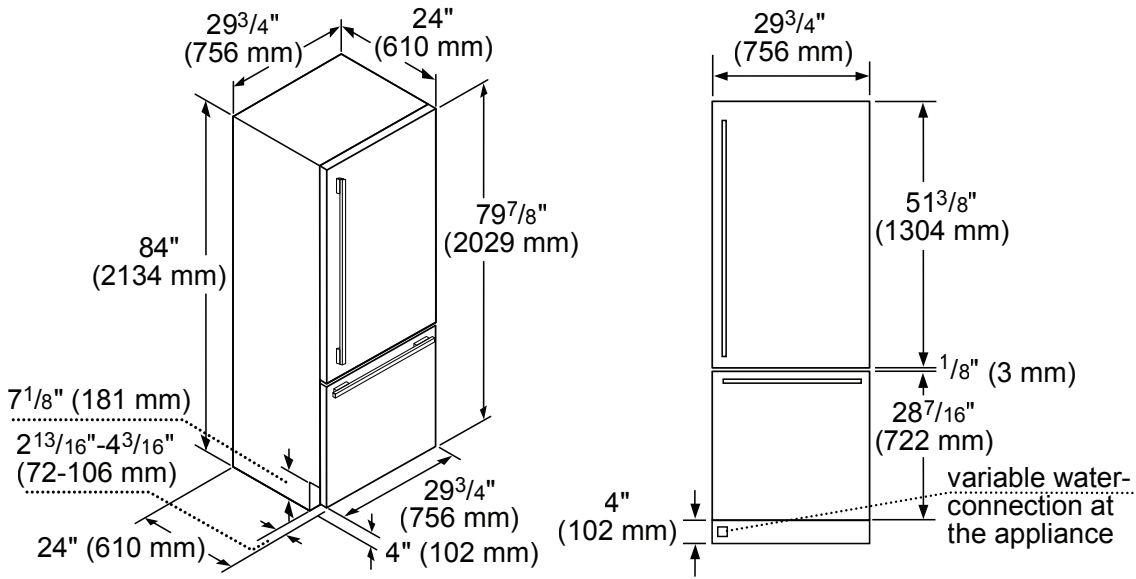
T30BB920SS

30-INCH STAINLESS STEEL BUILT-IN 2-DOOR BOTTOM FREEZER, PRE-ASSEMBLED

FREEDOM® COLLECTION, PROFESSIONAL SERIES HANDLES



PANEL DIMENSIONS



These warranties give you specific legal rights and you may have other rights that vary from state to state. Full warranty and limited warranty from date of installation. For complete warranty details, refer to your Use & Care manual, or ask your dealer.

Specifications are for planning purposes only. Refer to installation instructions and consult your countertop supplier prior to making counter opening. Consult with a heating and ventilation engineer for your specific ventilation requirements. For the most detailed information, refer to installation instructions accompanying product or write to Thermador indicating the model number. Specifications are correct at time of printing. Thermador reserves the right to change product specifications or design without notice. Some models are certified for use in Canada. Thermador is not responsible for products that are transported from the U.S. for use in Canada.

T30IB900SP

30-INCH BUILT-IN 2-DOOR BOTTOM FREEZER

FREEDOM® COLLECTION, PANEL-READY



FEATURES & BENEFITS

- Freedom® Hinge enables true flush design
- Open Door Assist automatic door opening with just a slight push or a pull
- Delicate Produce Bins for expanded storage
- ThermaFresh System, Humidity and Temperature controlled drawers
- SoftClose® Drawers and Produce Bins for easy and controlled storage
- Sleek clean design for the perfect symmetry when paired with additional columns
- TFT control panel managing all your columns functions

TEMPERATURE RANGES

Refrigerator	35°F (2°C) to 46°F (8°C)
Freezer	-9°F (-23°C) to 7°F (14°C)
Super Freeze	-9°F (-23°C) for approximately 52 hours
Super Cool	35.5°F (2°C) for approximately 9 hours

GENERAL PROPERTIES

Panel Ready	Yes
Reversible Door Swing	Yes
SoftClose® Drawers	Yes
Carbon Air Filter	Yes
Lighting	New Bar ALL LED Sidewall and Theater Lighting
Full Width / Adjustable Shelves	Yes / Yes
Freezer Shelves	0
Shelf Material	Glass w/Aluminum Profile
Full Extension Drawers @ 115° Door Opening Angle	Yes
Full Extension Drawers @ 90° Door Opening Angle	Yes
Temperature / Humidity Controlled Drawer	0 / 1
General Use Drawer	1
Door / Gallon Bins	1 / 1
Delicate Produce Bins	2 Large
External LED Proximity Sensor	No
Oversized Dispenser Opening	No
Chilled Water, Crushed and Cubed Ice	No
Rapid Water Replenishment System	No
Ice Maker with Diamond Ice System	Yes
Door Open Alarms	Yes
Open Door Assist	Yes
Special Modes	Yes

CAPACITY

Total Unit Gross Capacity (cu. ft.) – AHAM	16.2 cu. ft.
Freezer Gross Capacity (cu. ft.)	4.8 cu. ft.
Refrigerator Gross Capacity (cu. ft.)	11.4 cu. ft.

TECHNICAL DETAILS

Watts (W)	588 W
Current (A)	15 A
Volts (V)	120 V - 3 prong
Frequency (Hz)	60 Hz
Power Cord Length (in.)	139
Plug Type	120V-3 Prong

DIMENSIONS & WEIGHT

Appliance Dimensions (H x W x D) (in.)	84" x 29 3/4" x 24"
Required Cutout Size (H x W x D) (in.)	84" x 30" x 25"
Net / Gross Weight (lbs)	396 / 432 lbs

EFFICIENCY

ENERGY STAR® Qualified	Yes
Annual Energy Consumption	511

*Height adjustable + / -1/2" (+ / -13 mm)

**Sealed refrigeration system includes compressor, evaporator, condenser, dryer / strainer and connection tubing