

SPLIT-TYPE AIR CONDITIONERS

INDOOR UNIT

No. OBB872

PARTS CATALOG

Models

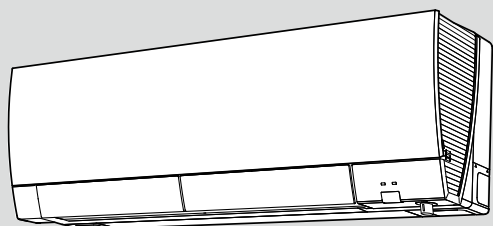
MSZ-FS06NA - U1

MSZ-FS09NA - U1

MSZ-FS12NA - U1

MSZ-FS15NA - U1

MSZ-FS18NA - U1



CONTENTS

1. SERVICE PARTS LIST2

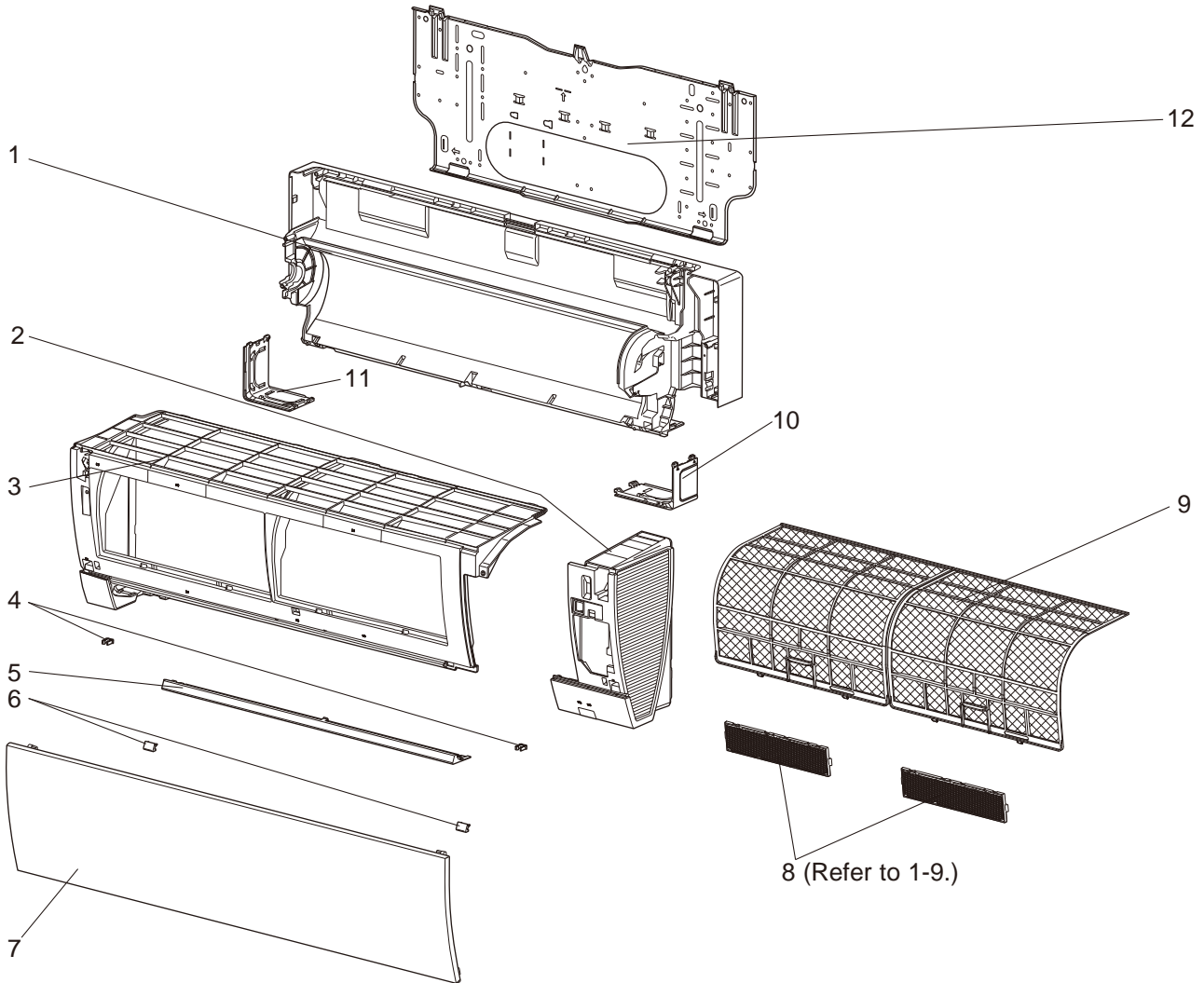
SERVICE MANUAL (OBH872)

1

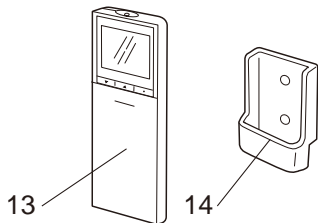
SERVICE PARTS LIST

MSZ-FS06NA MSZ-FS09NA MSZ-FS12NA MSZ-FS15NA MSZ-FS18NA

1-1 INDOOR UNIT STRUCTURAL PARTS



1-2. ACCESSORY AND REMOTE CONTROLLER



1-1. INDOOR UNIT STRUCTURAL PARTS

1. The part quantity below indicates the required number of pieces per unit.

No.	Part No.	Part name	MSZ-FS06NA- [U1]	MSZ-FS09NA- [U1]	MSZ-FS12NA- [U1]	MSZ-FS15NA- [U1]	MSZ-FS18NA- [U1]	Symbol in Wiring Diagram	Remarks
1	E22 X81 234	BOX ASSEMBLY	1	1	1	1	1		
2	E22 T43 085	PANEL RIGHT ASSEMBLY	1	1	1	1	1		Includes No.4
3	E22 T43 086	PANEL LEFT ASSEMBLY	1	1	1	1	1		
4	E22 F95 142	CATCH	2	2	2	2	2		2 PCS/SET
5	E22 J44 717	PANEL UNDER	1	1	1	1	1		
6	E22 J44 067	SCREW CAP	2	2	2	2	2		2 PCS/SET
7	E22 R08 010	FRONT PANEL	1	1	1	1	1		
8	—	AIR CLEANING FILTER (ELECTROSTATIC ANTI- ALLERGY ENZYME FILTER)	1	1	1	1	1		1 PC/SET MAC-2330FT-E
8	—	AIR CLEANING FILTER (DEODORIZING FILTER)	1	1	1	1	1		1 PC/SET MAC-3000FT-E
9	E22 L85 100	AIR FILTER (NANO PLATINUM FILTER)	2	2	2	2	2		1 PC/SET
10	E22 J44 975	CORNER BOX RIGHT	1	1	1	1	1		
11	E22 J44 976	CORNER BOX LEFT	1	1	1	1	1		
12	E22 L85 970	INSTALLATION PLATE	1	1	1	1	1		

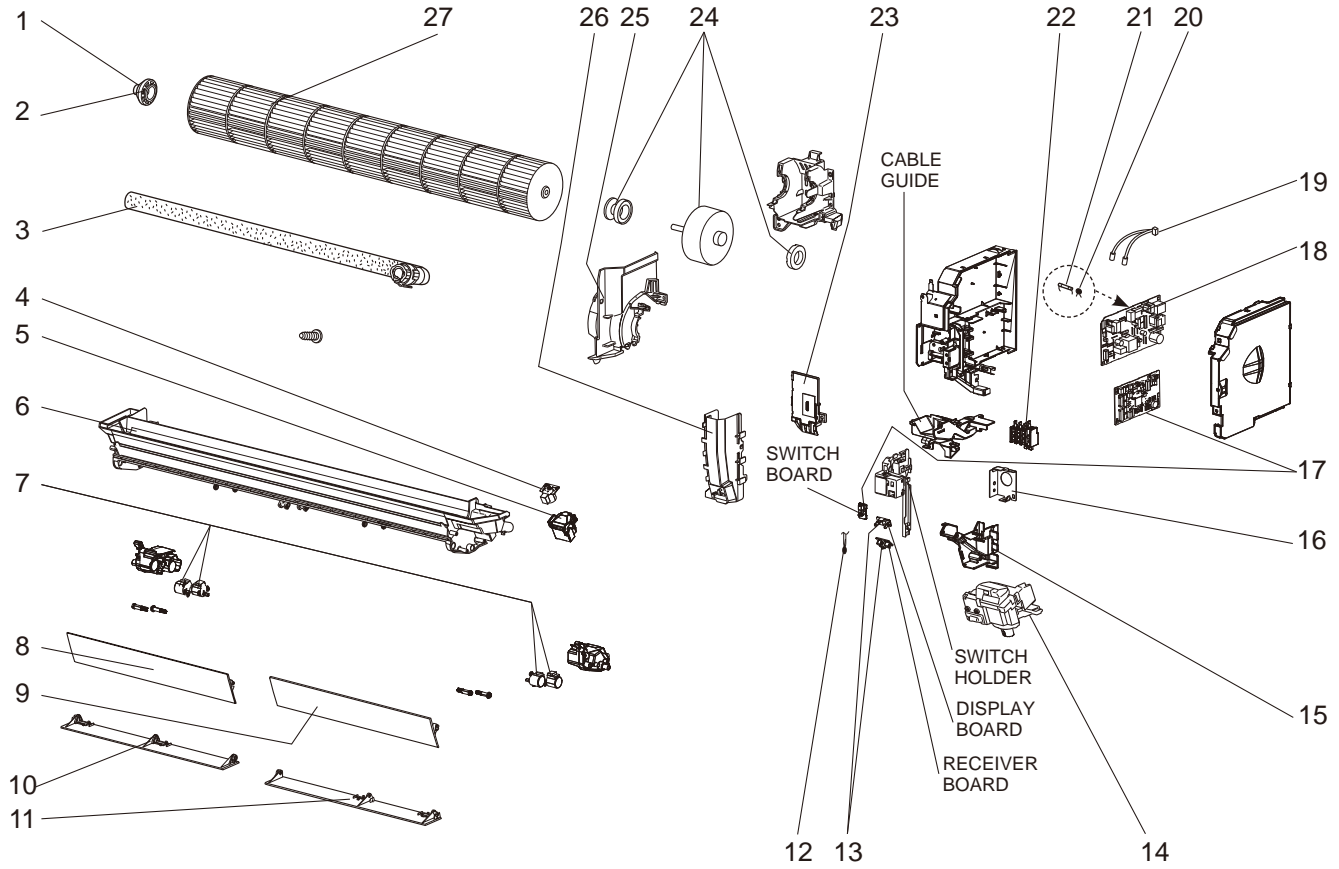
1-2. ACCESSORY AND REMOTE CONTROLLER

1. The part quantity below indicates the required number of pieces per unit.

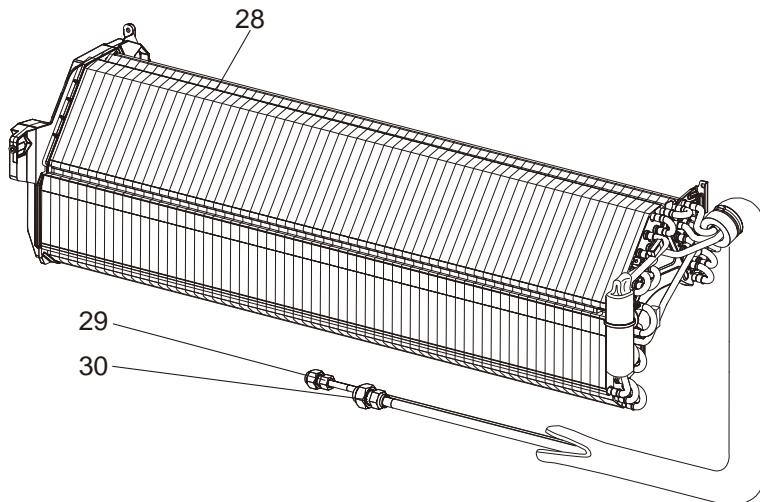
No.	Part No.	Part name	MSZ-FS06NA- [U1]	MSZ-FS09NA- [U1]	MSZ-FS12NA- [U1]	MSZ-FS15NA- [U1]	MSZ-FS18NA- [U1]	Symbol in Wiring Diagram	Remarks
13	E22 30N 426	REMOTE CONTROLLER	1	1	1	1	1		SG20A
14	E22 41G 083	REMOTE CONTROLLER HOLDER	1	1	1	1	1		

MSZ-FS06NA MSZ-FS09NA MSZ-FS12NA MSZ-FS15NA MSZ-FS18NA

1-3. INDOOR UNIT ELECTRICAL PARTS AND FUNCTIONAL PARTS



1-4. INDOOR UNIT HEAT EXCHANGER



1-3. INDOOR UNIT ELECTRICAL PARTS AND FUNCTIONAL PARTS

1. The part quantity below indicates the required number of pieces per unit.

No.	Part No.	Part name	MSZ-FS06NA- U1	MSZ-FS09NA- U1	MSZ-FS12NA- U1	MSZ-FS15NA- U1	MSZ-FS18NA- U1	Symbol in Wiring Diagram	Remarks
1	E22 A89 509	BEARING MOUNT	1	1	1	1	1		
2	E22 001 504	SLEEVE BEARING	1	1	1	1	1		
3	E22 P72 702	DRAIN HOSE	1	1	1	1	1		
4	E22 J44 303	VANE MOTOR (VERTICAL)	1	1	1	1	1	MV2	RIGHT & LEFT
5	E22 20F 303	VERTICAL VANE MOTOR UNIT	1	1	1	1	1		Includes MV2
6	E22 L85 235	NOZZLE ASSEMBLY	1	1	1	1	1		full assembly except drain hose
7	E22 21F 303	VANE MOTOR (HORIZONTAL)	4	4	4	4	4	MV1	UP & DOWN, 1 PC/SET
8	E22 J45 040	VANE UPPER (L)	1	1	1	1	1		
9	E22 J44 040	VANE UPPER (R)	1	1	1	1	1		
10	E22 J45 041	VANE LOWER (L)	1	1	1	1	1		
11	E22 J44 041	VANE LOWER (R)	1	1	1	1	1		
12	E22 J44 308	ROOM TEMPERATURE THERMISTOR	1	1	1	1	1	RT11	
13	E22 30N 468	DISPLAY AND RECEIVER P.C. BOARD	1	1	1	1	1		
14	E22 30N 391	DISPLAY AND i-see SENSOR ASSEMBLY	1	1	1	1	1		Includes i-see SENSOR and i-see SENSOR MOTOR (MT).
15	E22 L85 979	CONDUIT COVER	1	1	1	1	1		
16	E22 L85 978	CONDUIT PLATE	1	1	1	1	1		
17	E22 30N 452	ELECTRONIC CONTROL P.C. BOARD	1						Includes SWITCH P.C. BOARD
17	E22 31N 452	ELECTRONIC CONTROL P.C. BOARD		1					Includes SWITCH P.C. BOARD
17	E22 32N 452	ELECTRONIC CONTROL P.C. BOARD			1				Includes SWITCH P.C. BOARD
17	E22 33N 452	ELECTRONIC CONTROL P.C. BOARD				1			Includes SWITCH P.C. BOARD
17	E22 34N 452	ELECTRONIC CONTROL P.C. BOARD					1		Includes SWITCH P.C. BOARD
18	E22 30N 440	POWER P.C. BOARD	1	1	1	1	1		
19	E22 J44 307	INDOOR COIL THERMISTOR	1	1	1			RT12,RT13	
19	E22 L87 307	INDOOR COIL THERMISTOR				1	1	RT12,RT13	
20	E22 B75 385	VARISTOR	1	1	1	1	1	NR11	
21	E22 42J 382	FUSE	1	1	1	1	1	F11	T3.15AL250V
22	E22 T21 375	TERMINAL BLOCK	1	1	1	1	1	TB	
23	E22 L85 784	V.A. CLAMP	1	1	1	1	1		
24	E22 29L 300	INDOOR FAN MOTOR	1	1	1	1	1	MF	RC0J30-□□, Includes FAN MOTOR RUBBER MOUNT (2 PCS/SET)
25	E22 J46 333	MOTOR BAND	1	1	1	1	1		
26	E22 J44 541	WATER CUT	1	1	1	1	1		
27	E22 30N 302	LINE FLOW FAN	1	1	1	1	1		

1-4. INDOOR UNIT HEAT EXCHANGER

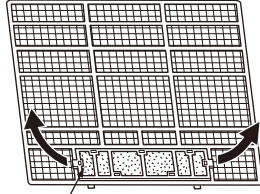
1. The part quantity below indicates the required number of pieces per unit.

No.	Part No.	Part name	MSZ-FS06NA- U1	MSZ-FS09NA- U1	MSZ-FS12NA- U1	MSZ-FS15NA- U1	MSZ-FS18NA- U1	Symbol in Wiring Diagram	Remarks
28	E22 30N 620	INDOOR HEAT EXCHANGER	1	1	1				
28	E22 33N 620	INDOOR HEAT EXCHANGER				1	1		
29	E22 151 667	UNION (LIQUID)	1	1	1	1	1		ø1/4 (ø6.35)
30	E22 815 666	UNION (GAS)	1	1	1				ø3/8 (ø9.52)
30	E22 155 666	UNION (GAS)				1	1		ø1/2 (ø12.7)

1-9. AIR CLEANING FILTER

Air cleaning filter replacement

Pull to remove from the air filter



Air cleaning filter

- Electrostatic anti-allergy enzyme filter (Blue)
- Deodorizing filter (Black)

ELECTROSTATIC ANTI-ALLERGY ENZYME FILTER (BLUE)

Every 3 months:

- Remove dirt by a vacuum cleaner.

When dirt cannot be removed by vacuum cleaning:

- Soak the filter and its frame in lukewarm water before rinsing it.
- After washing, dry it well in shade. Install all tabs of the air filter.

Every year:

- Replace it with a new air cleaning filter for best performance.

NOTE 1: Clean the filters regularly for best performance and to reduce power consumption.

NOTE 2: Dirty filters cause condensation in the air conditioner which will contribute to the growth of fungi such as mold. It is therefore recommended to clean air filters every 2 weeks.

Model	Part No.
MSZ-FS06NA MSZ-FS09NA MSZ-FS12NA MSZ-FS15NA MSZ-FS18NA	MAC-2330FT-E

DEODORIZING FILTER (BLACK)

Every 3 months:

- Remove dirt by a vacuum cleaner, or soak the framed filter in lukewarm water [86 to 104°F (30 to 40 °C)] for about 15 minutes. Rinse well.
- After washing, dry it well in shade.
- Deodorizing feature recovers by cleaning the filter.

When dirt or smell cannot be removed by cleaning:

- Replace it with a new air cleaning filter.

Model	Part No.
MSZ-FS06NA MSZ-FS09NA MSZ-FS12NA MSZ-FS15NA MSZ-FS18NA	MAC-3000FT-E

MITSUBISHI ELECTRIC CORPORATION

HEAD OFFICE: TOKYO BUILDING, 2-7-3, MARUNOUCHI, CHIYODA-KU, TOKYO 100-8310, JAPAN

© Copyright 2020 MITSUBISHI ELECTRIC CORPORATION

Published: Nov. 2020. No. OBB872

Made in Japan

Specifications are subject to change without notice.