

Specifications

PFMVT512 1/2" THERMOSTATIC MIXING VALVE - SINGLE OUTLET

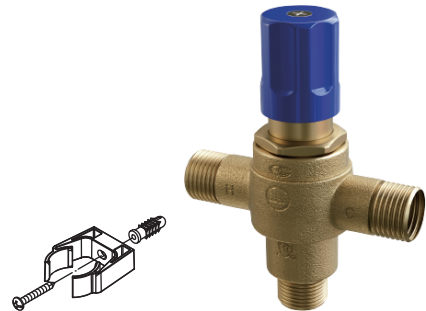


Suitable for Commercial and Residential Applications

Job Name _____ Job Location _____
 Contractor _____ Contractor's P.O. No. _____
 Engineer _____ Approval _____
 Representative _____ Notes _____

Product Features

- Lead Free brass body to comply with Lead Free installation requirements
- Installs easily between the stop valves and faucet
- Temperature controls to ASSE 1070, down to 0.5 gpm
- Corrosion resistant internal components for extended life
- Includes tamper resistant handle to prevent accidental misadjustment
- Includes Wall Mount Bracket
- Integral checks with screens prevents cross flow and filter out debris
- Factory set to 100°F (38°C)
- NSF-61-9 Compliant
- NSF372 Compliant

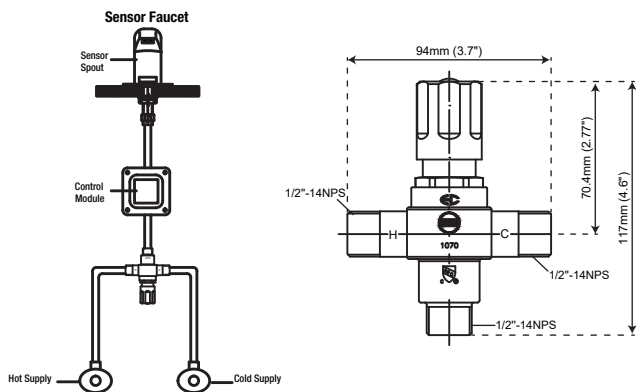
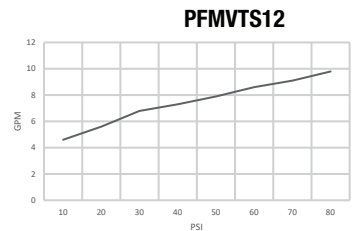


Optional Parts:

- OBPFK382014 Temperature Sensor Kit
- OBPFK325001 Check Valve Kit

Materials

- Body: Lead Free Brass
- Stem Adapter: Brass
- O-rings: NBR
- Spring: Stainless steel
- Piston: Brass
- Thermostat: Copper



Min. Flow Rate	Pressure Differential - psi							
	10 psi	20 psi	30 psi	40 psi	50 psi	60 psi	70 psi	80 psi
0.5 gpm (1.9 L/min)	4.6 gpm (17.4 L/min)	5.6 gpm (21.1 L/min)	6.8 gpm (25.7 L/min)	7.3 gpm (27.6 L/min)	7.9 gpm (29.9 L/min)	8.6 gpm (32.5 L/min)	9.1 gpm (34.4 L/min)	9.8 gpm (37.0 L/min)

Specifications	
Temperature Adjustment Range	80 - 120°F (27 - 49°C)
Maximum Operating Pressure	200 psi (1379 kPa)
Hot Water Inlet Temperature Range	120 - 180°F (49 - 82°C)
Cold Water Inlet Temperature Range	40 - 80°F (4 - 27°C)
Minimum Flow	0.5 gpm (1.9 lpm)

Warranty and Codes

This product comes complete with installation, operating, care and maintenance instructions. This PROFLO faucet carries a limited lifetime warranty when installed in residential applications. The warranty is five years in commercial applications. This product meets ASME: A112.18.1.

NSF/ANSI/CAN 372
NSF/ANSI/CAN 61-9-0:0.5



ASSE 1070