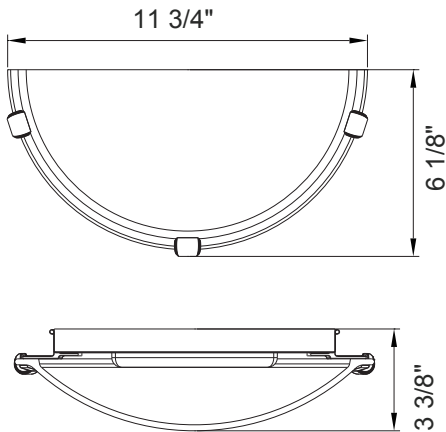


9211700  
FLWL110LED30BN



INDOOR LED WALL SCNCE

PRODUCT SPECIFICATIONS



FEATURES	LED Indoor Clip Wall Sconce
Part Number	FLWL110LED30BN
Finish	Brushed Nickel
Shade	Alabaster Glass
Kelvin Temp (CCT)	3000K
Product Dimensions	11-3/4" W x 6-1/8" H
Extension	3-3/8"
Product Weight	1.38 lbs
Bulb Type	Integrated LED Module
Bulb Included	Yes
LED Type	2835
CRI	90
Lumens	700
Efficacy	70 lm/W
Dimmable	Yes
Wattage	10W
Equivalent Wattage	Incandescent - 60W
Voltage	120V
Average hour life	50,000 hrs
Min/Max Ambient Temp	- 20°C~40°C
Product Material	Aluminum, Steel, Glass
Location Listing	Damp
Certifications	ETL, Energy Star, Title 24/JA8-2019, FCC

FLWL110LED30BN

- LED Indoor Clip Wall Sconce
- 5 Year Warranty
- Integrated Led Module
- Suitable For Damp Location
- ADA compliant



SPECIFICATION:

Light Fixture shall be 9211700/FLWL110LED30BN , LED Indoor Wall Sconce