

9211713
FLP1003BN

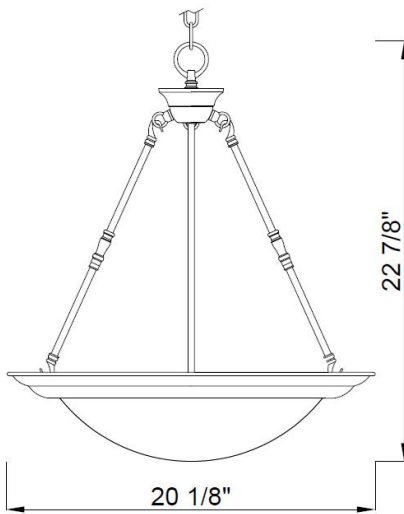


PENDANT



PRODUCT SPECIFICATIONS

FEATURES	3 LIGHT PENDANT
Part Number	FLP1003BN
Number of Lights	3
Finish	Brushed Nickel
Shade/Glass Type	Alabaster
Product Dimensions	20-1/8" Dia. x 22-7/8" H
Product Weight	7.52 lbs
Canopy Dimensions	3/4" H x 5" Dia.
Bulb Type	A
Bulb Base	E26 Medium
Sockets	3 x 100W
Bulbs Included	No
Wattage	100W
Voltage	120V
Product Material	Steel, Glass
Location Listing	Dry
Certifications	UL



FLP1003BN

- 3 Light Pendant
- 1 Year Warranty
- Uses three 100W medium base lamp max
- Lamp not included
- Brushed Nickel
- Comes with 3 ft. of chain



SPECIFICATION:

Light Fixture shall be 9211713/FLP1003BN, 3 Light Pendant