



**BOMAG**  
FAYAT GROUP

## Reversible Vibratory Plates

**BPR35/60, BPR35/60D, BPR35/60D/E**



*The transport wheels allow for one-person movement around the jobsite.*



*The Vulcolan mat helps avoid damage to paving stone surfaces.*



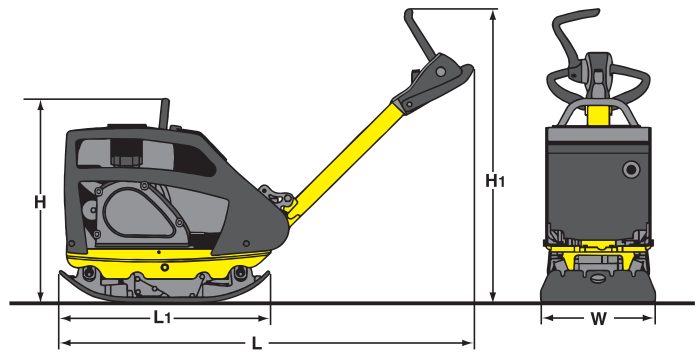
# Technical Specifications

## Reversible Plates

### Shipping dimensions

in cubic feet (m<sup>3</sup>)

BPR35/60	30	(0.85)
BPR35/60D	30	(0.85)
BPR35/60D/E	30	(0.85)



### Standard Equipment

- Fully enclosed engine protection hood made of high-strength grain-refined steel.
- Hydraulic travel lever adjustment
- Height adjustable steering rod
- Steering rod lockable in transport and working position
- Vibration and throttle regulation on the steering rod
- Highly wear resistant base plate with reinforced edges
- Fully protected V-belt
- Reinforced centrifugal clutch
- Automatically adjusting V-belt pulley
- Recoil starter
- Electric starter (BPR35/60D/E only)

### (BPR35/60D & BPR35/60D/E ONLY)

- Semi-automatic decompression

### (BPR35/60 ONLY)

- Large-volume dry air filter with cyclone-type precleaner
- Automatic shutdown at low oil level

### Optional Equipment

- Transport wheels
- Service Kit
- Vulcolan mat

### Dimensions in inches (mm)

Dimension	Value
H	1
H1	1
L	—
L1	—
W	—

Technical modifications reserved. Machines may be shown with options.

B564H-3824 3M0614TTPPG