

## DESCRIPTION

- Chrome plated metal construction
- Contains: hand-held shower, 30" slide bar, drop ell, vacuum breaker, 69" metal hose and mounting hardware
- **SLIDE BAR IS NOT TO BE USED AS A GRAB BAR**
- Supplied with vandal resistant screws
- Quick cleaning rubber nozzles

## FLOW

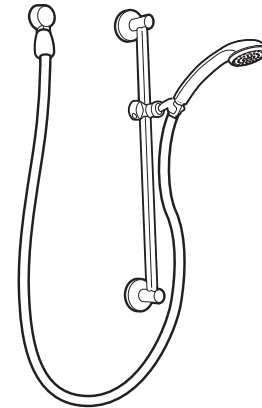
- 2.5 gpm (9.5 L/min) at 60 psi

## STANDARDS

- Third party certified to ASME A112.18.1/CSA B-125.1, ASSE 1014 and all applicable requirements referenced therein

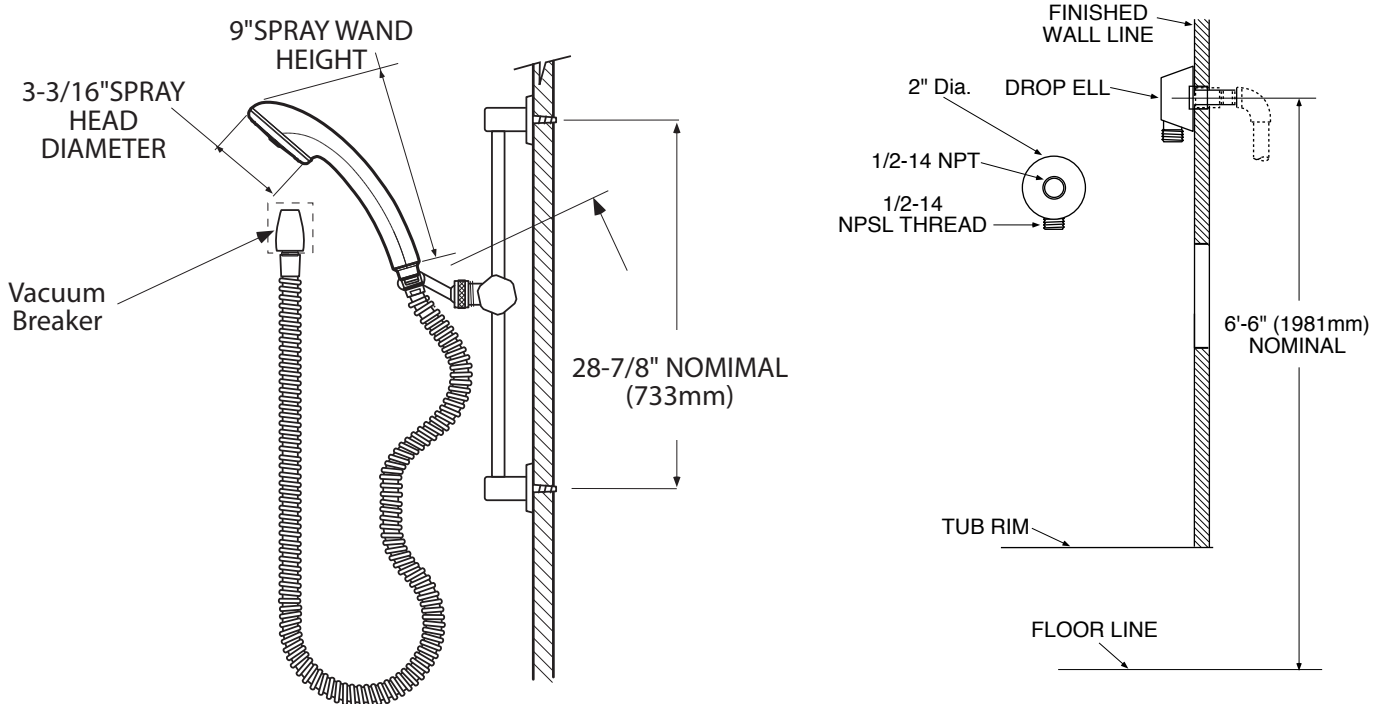
## WARRANTY

- Warranted for 5 years against material or manufacturing defects



**Hand-Held Shower System**

**Model: 52710**



## CRITICAL DIMENSIONS

(DO NOT SCALE)