

CAP PRODUCTS LTD

Product Catalog





PRODUCT CATALOG

PIPE FITTINGS

Pipe Nipples Welded and Seamless Carbon Steel	2
Pipe Nipples Welded and Seamless Stainless Steel	3
Pipe Nipples End Finishes	4
Couplings Standard Merchant Full	5
Couplings Standard Merchant Half	6
Couplings Extra Heavy No Recess Full	7
Couplings Extra Heavy No Recess Half	8
Couplings API Line	9
Hex Bushings Standard Pressure	10
Pipe Plugs Standard Pressure Square Head	11
Pipe Plugs Standard Pressure Square and Hex Counter Sunk	12
Serrated Adapters, Male for Plastic Pipe	13
Serrated Adapters, Insert Couplings	14
Serrated Adapters, Well Seal Elbows	15
Serrated Adapters, Male Venturi	16

CONDUIT FITTINGS

Conduit Elbows Rigid	17
Conduit Elbows EMT	18
Conduit Couplings	19
Conduit Nipples	20
10' Rigid Stainless Steel Conduits with Coupling	21

25 Winnipeg Street
Vanastra, ON N0M1L0

Phone: (519) 482-5000 Fax: (519) 482-7728
(800) 265-5586 (800) 565-3471

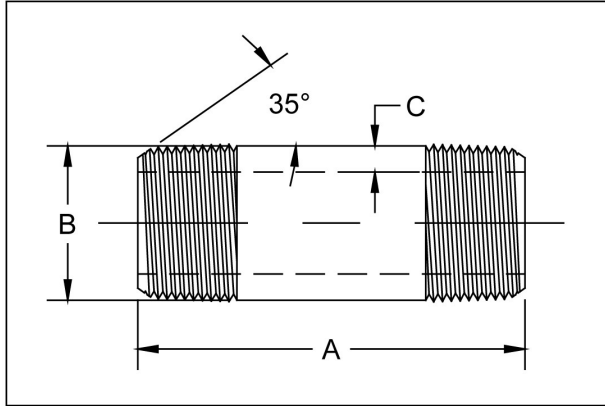
sales@capproducts.com

www.capproducts.com

www.capitolcamco.com

Pipe Fittings

Pipe Nipples, Welded and Seamless, Carbon Steel Black and Galvanized



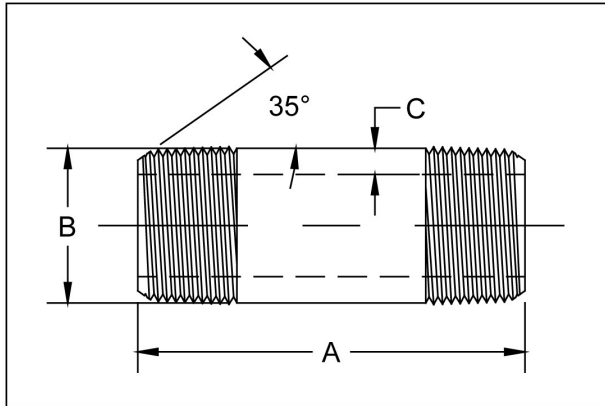
Pipe Size	B	A Length		C Nominal Wall			
	Pipe O.D.	Close	Space	STD.	XH	160	XXH
1/8	.405	3/4	1 1/2 - 24	.068	.095	N/A	N/A
1/4	.540	7/8	1 1/2 - 24	.088	.119	N/A	N/A
3/8	.675	1	1 1/2 - 24	.091	.126	N/A	N/A
1/2	.840	1 1/8	1 1/2 - 24	.109	.147	.188	.294
3/4	1.050	1 3/8	1 1/2 - 24	.113	.154	.219	.308
1	1.315	1 1/2	2 - 24	.133	.179	.250	.358
1-1/4	1.660	1 5/8	2 - 24	.140	.191	.250	.382
1-1/2	1.900	1 3/4	2 - 24	.145	.200	.281	.400
2	2.375	2	2 1/2 - 24	.154	.218	.344	.436
2-1/2	2.875	2 1/2	3 - 24	.203	.276	.375	.552
3	3.500	2 5/8	3 - 24	.216	.300	.438	.600
3-1/2	4.000	2 3/4	4 - 24	.226	.318	N/A	N/A
4	4.500	2 7/8	4 - 24	.237	.337	.531	.674
5	5.563	3	4 1/2 - 24	.258	.375	.625	.750
6	6.625	3 1/8	4 1/2 - 24	.280	.432	.719	.864
8	8.625	3 1/2	5 - 24	.322	.500	.906	.875

Conforms to: ASTM A53 Type F—(Continuous Welded).
 ASTM A53 Type E, Grade B—(Electric Resistance Welded).
 ASTM A106 Grade B, ASTM A53 Type S, Grade B, API 5L, Grade B—Seamless, High Temperature.
 ASTM A333 Grade 6 (Available only in XH, 160 and XXH)—Seamless, Low Temperature.

Finish: Standard Black or Galvanized

Pipe Fittings

Pipe Nipples, Welded and Seamless, Stainless Steel

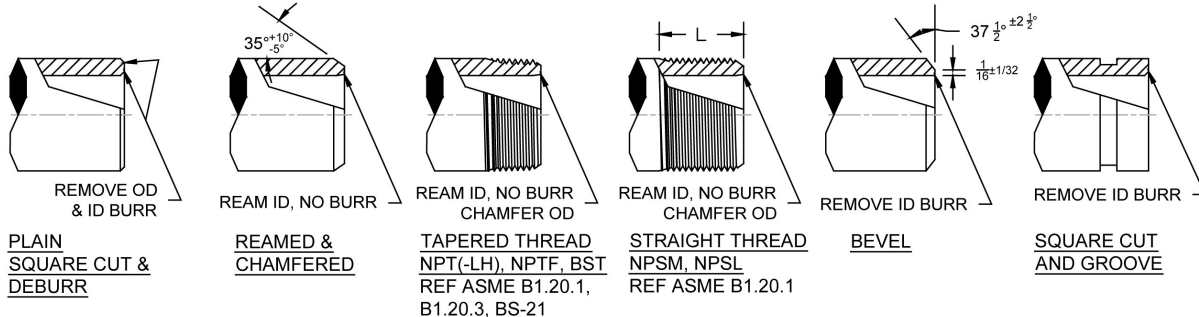


Pipe Size	B Pipe O.D.	A Length		C Nominal Wall			
		Close	Space	STD.	XH	160	XXH
1/8	.405	3/4	1 1/2 - 24	.068	.095	N/A	N/A
1/4	.540	7/8	1 1/2 - 24	.088	.119	N/A	N/A
3/8	.675	1	1 1/2 - 24	.091	.126	N/A	N/A
1/2	.840	1 1/8	1 1/2 - 24	.109	.147	.188	.294
3/4	1.050	1 3/8	1 1/2 - 24	.113	.154	.219	.308
1	1.315	1 1/2	2 - 24	.133	.179	.250	.358
1-1/4	1.660	1 5/8	2 - 24	.140	.191	.250	.382
1-1/2	1.900	1 3/4	2 - 24	.145	.200	.281	.400
2	2.375	2	2 1/2 - 24	.154	.218	.344	.436
2-1/2	2.875	2 1/2	3 - 24	.203	.276	.375	.552
3	3.500	2 5/8	3 - 24	.216	.300	.438	.600
3-1/2	4.000	2 3/4	4 - 24	.226	.318	N/A	N/A
4	4.500	2 7/8	4 - 24	.237	.337	.531	.674
5	5.563	3	4 1/2 - 24	.258	.375	.625	.750
6	6.625	3 1/8	4 1/2 - 24	.280	.432	.719	.864
8	8.625	3 1/2	5 - 24	.322	.500	.906	.875

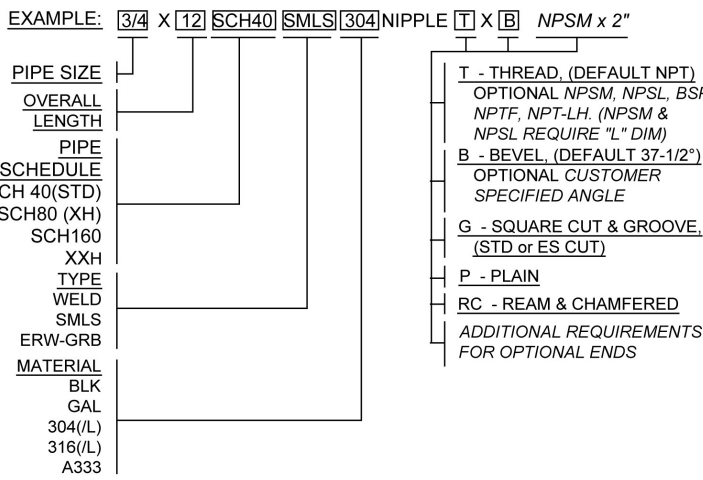
Conforms to: ASTM A312, Type 304/304L or 316/316L—(Electric Resistance Welded).
 ASTM A312 Type 304/304L or 316/316L—Seamless.

Pipe Fittings

Pipe Nipple End Finishes



PIPE NIPPLE DESCRIPTION AND TERMINOLOGY



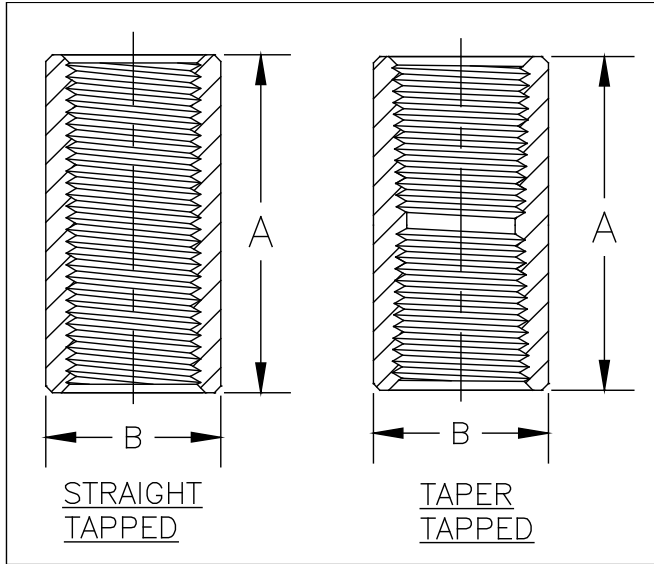
- NOTES: 1) END FINISH ABBREVIATION ORDER; T, B, G, P, RC.
 2) TBE, BBE, GBE, AND PBE MAY BE SUBSTITUTED FOR NIPPLES WITH SAME END FINISHES ON BOTH ENDS.
 3) DEFAULT END FINISHES LISTED FOR THREAD, BEVEL, AND PLAIN. OPTIONAL VARIATIONS TO BE CALLED OUT IN TEXT INCLUDING ADDITIONAL REQUIREMENTS.
 4) STD CUT GROOVE IS STANDARD. ES CUT GROOVE END FINISH AVAILABLE UPON REQUEST
 5) NIPPLES CLOSE TOUGH 12" LONG SHALL HAVE A LENGTH TOLERANCE OF $\pm \frac{1}{16}$ ". NIPPLES OVER 12" LONG SHALL HAVE A TOLERANCE OF $\pm \frac{1}{8}$ ".

TBE - "THREAD BOTH ENDS" (BOTH ENDS THREADED WITH STANDARD NPT THREADS)
 TOE - "THREAD ONE END" (ONE END THREADED WITH STANDARD NPT THREAD. CUSTOMER MUST SPECIFY OTHER END, OTHERWISE SQUARE CUT & DEBURR WILL BE SHIPPED)
 NPTF - "DRYSEAL" (STANDARD TAPER DRYSEAL PIPE THREADS)

NPSL - "STRAIGHT LOCKNUT" (STANDARD STRAIGHT PIPE THREADS FOR LOOSE-FITTING MECHANICAL WITH LOCKNUTS)
 NPSM - "STRAIGHT MECHANICAL" (STANDARD STRAIGHT PIPE THREADS FOR FREE-FITTING MECHANICAL JOINTS FOR FIXTURES)
 BST (BS21, ISO 7/1) - BRITISH STANDARD TAPER PIPE THREADS

Pipe Fittings

Couplings, Standard Merchant



Pipe Size	1/8	1/4	3/8	1/2	3/4	1	1-1/4	1-1/2	2	2-1/2	3	3-1/2	4	5	6
A	0.812	1.188	1.188	1.562	1.625	2.000	2.062	2.062	2.125	3.125	3.250	3.375	3.500	3.750	4.000
B	0.562	0.719	0.875	1.062	1.312	1.576	1.900	2.200	2.750	3.250	4.000	4.625	5.000	6.296	7.390
Wt. Ea.	0.05	0.07	0.09	0.17	0.26	0.40	0.48	0.67	1.05	2.09	3.35	4.82	4.61	8.52	11.27

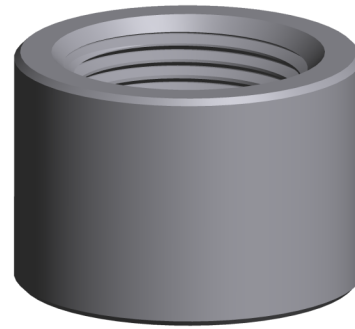
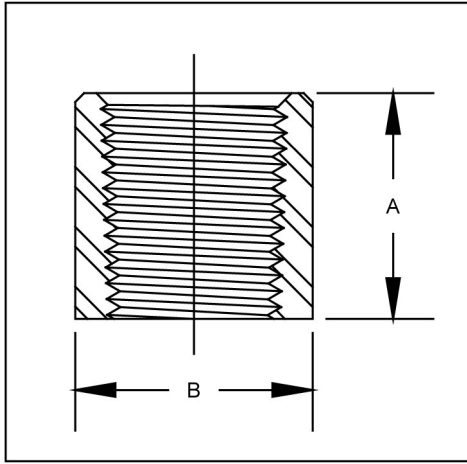
Material: AISI C1010, Sizes 1/8" to 1".
 ASTM A53 Type F Sizes 1-1/4" to 3".
 ASTM A106 Grade B Sizes 3-1/2" to 6".

Conforms to: ASTM A865, ASME B1.20.1.

Notes: Unless otherwise specified, Standard Merchant Couplings are furnished straight tapped in sizes 1/8" to 2" inclusive.
 Standard Merchant Couplings in 2" size are available Taper Tapped as special.
 Galvanized couplings are electroplated zinc.
 Black couplings are phosphate coated.

Pipe Fittings

Half Couplings, Standard Merchant



Pipe Size	1/8	1/4	3/8	1/2	3/4	1	1-1/4	1-1/2	2	2-1/2	3	3-1/2	4	5	6
A	0.344	0.531	0.531	0.719	0.750	0.937	0.969	0.969	1.000	1.500	1.562	1.625	1.688	1.750	1.875
B	0.562	0.719	0.875	1.062	1.312	1.576	1.900	2.200	2.750	3.250	4.000	4.625	5.000	6.296	7.390
Wt. Ea.	0.02	0.04	0.05	0.08	0.12	0.18	0.23	0.32	0.47	0.96	1.60	2.22	2.11	3.80	5.28

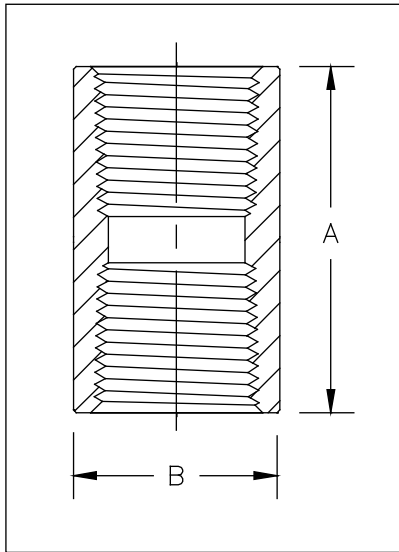
Material: ASTM A53 Type F Sizes 1/8" to 3".
 ASTM A106 Grade B Sizes 3-1/2" to 6".

Conforms to: ASTM A865, ASME B1.20.1.

Notes: Unless otherwise specified, Standard Merchant Half Couplings are furnished
 Taper Tapped in sizes 1/8" to 1" inclusive, Straight Tapped in sizes 1-1/4" to 2" inclusive
 and Taper Tapped in sizes 2-1/2" to 6" inclusive.
 Galvanized couplings are electroplated zinc.
 Black couplings are phosphate coated.

Pipe Fittings

Couplings, XH No Recess, Threaded



Couplings, XH No Recess, Threaded

Pipe Size	*1/8	1/4	3/8	1/2	3/4	1	1-1/4	1-1/2	2	2-1/2	3	*3-1/2	*4	*5	*6
A	1.062	1.625	1.625	2.125	2.125	2.625	2.750	2.750	2.875	4.125	4.250	4.375	4.500	4.625	4.875
B	0.562	0.719	0.875	1.062	1.312	1.576	2.054	2.200	2.875	3.375	4.000	4.625	5.200	6.296	7.390
Wt. Ea.	0.04	0.09	0.14	0.25	0.36	0.68	1.08	0.95	2.01	3.53	4.61	6.25	8.00	10.51	13.74

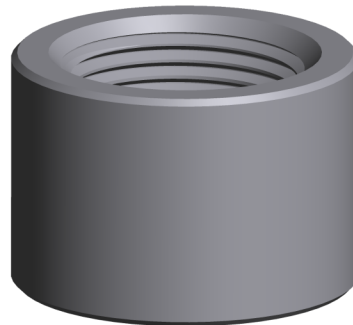
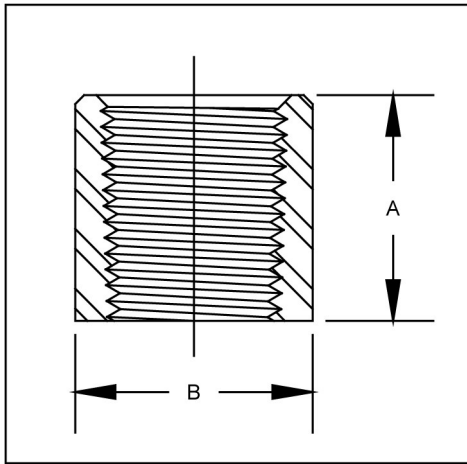
Material: ASTM A105.

Dimensions: AAR 404, ASME B1.20.1.

Note: Sizes marked "*" not covered under AAR 404

Pipe Fittings

Half Couplings, XH No Recess, Threaded



Pipe Size	*1/8	1/4	3/8	1/2	3/4	1	1-1/4	1-1/2	2	2-1/2	3	*3-1/2	*4	*5	*6
A	0.468	0.750	0.750	1.000	1.000	1.250	1.312	1.312	1.375	2.000	2.062	2.125	2.188	2.188	2.312
B	0.562	0.719	0.719	1.062	1.312	1.576	2.054	2.200	2.875	3.375	4.000	4.625	5.200	6.296	7.390
Wt. Ea.	0.02	0.04	0.06	0.11	0.17	0.35	0.51	0.45	0.92	1.72	2.12	2.97	3.84	4.85	6.85

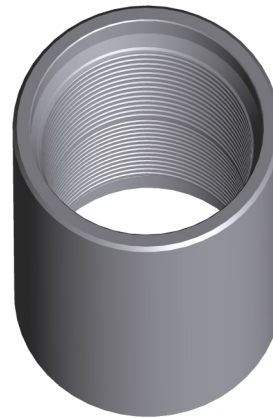
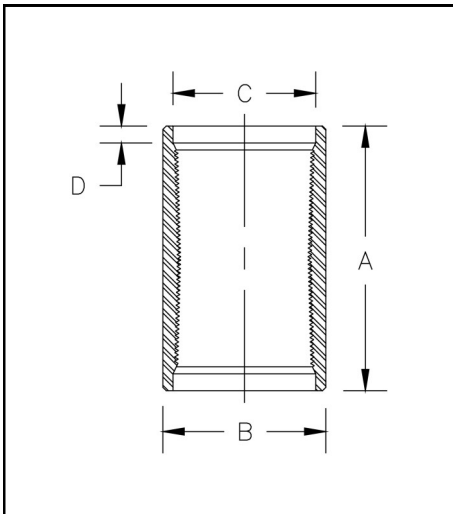
Material: ASTM A105 or Seamless Tubing.

Dimensions: AAR 404, ASME B1.20.1.

Note: Sizes marked "*" not covered under AAR 404.

Pipe Fittings

API Line Pipe Couplings



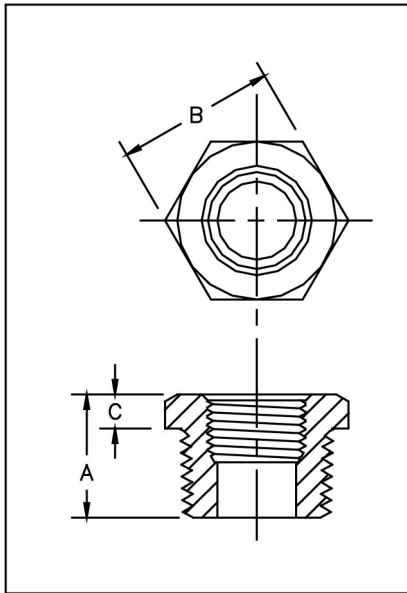
Pipe Size	1/8	1/4	3/8	1/2	3/4	1	1-1/4	1-1/2	2	2-1/2	3	3-1/2	4	5	6	8	10	12
A	1.062	1.625	1.625	2.125	2.125	2.625	2.750	2.750	2.875	4.125	4.250	4.375	4.500	4.625	4.875	5.250	5.750	6.125
B	0.562	0.718	0.875	1.062	1.312	1.576	2.054	2.200	2.875	3.375	4.000	4.625	5.200	6.296	7.390	9.625	11.750	14.000
C	0.468	0.603	0.738	0.903	1.113	1.378	1.723	1.963	2.469	2.969	3.594	4.094	4.594	5.657	6.719	8.719	10.844	12.844
D	0.052	0.120	0.115	0.158	1.152	0.224	0.228	0.244	0.238	0.492	0.471	0.466	0.492	0.505	0.586	0.677	0.739	0.787
Wt. Ea.	0.04	0.09	0.13	0.24	0.34	0.54	1.03	1.30	1.86	3.27	4.09	5.92	7.59	9.98	12.92	23.18	31.55	49.27

Material: API 5L Section 8

Dimensions: API 5L, API 5B

Pipe Fittings

Hex Bushings, Standard Pressure



Pipe Size	1/4	3/8	1/2	3/4	1
A	0.640	0.700	0.880	0.970	1.190
B	0.620	0.690	0.880	1.060	1.380
C	0.140	0.190	0.190	0.220	0.310
Wt. Ea.	0.02	0.05	0.11	0.21	0.36

Material: AISI C1010

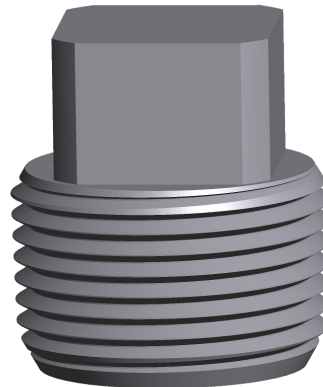
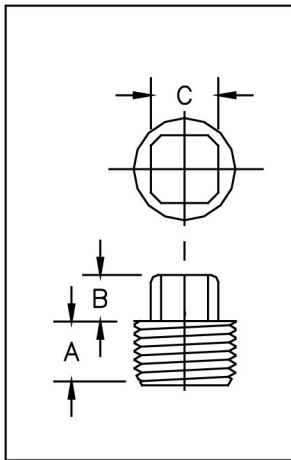
Conforms to: ASME B16.14, ASME B1.20.1.

Sizes Available:

1/4 X 1/8	3/4 X 1/8	1 X 1/8
3/8 X 1/8	3/4 X 3/4	1 X 1/4
3/8 X 1/4	3/4 X 3/8	1 X 3/8
1/2 X 1/8	3/4 X 1/2	1 X 1/2
1/2 X 1/4		1 X 3/4
1/2 X 3/8		

Pipe Fittings

Pipe Plugs, Standard Pressure, Square Head



Pipe Size	1/8	1/4	3/8	1/2	3/4
A	0.375	0.500	0.500	0.688	0.688
B	0.250	0.281	0.312	0.375	0.437
C	0.281	0.375	0.437	0.562	0.625
Wt. Ea.	0.02	0.04	0.06	0.12	0.19

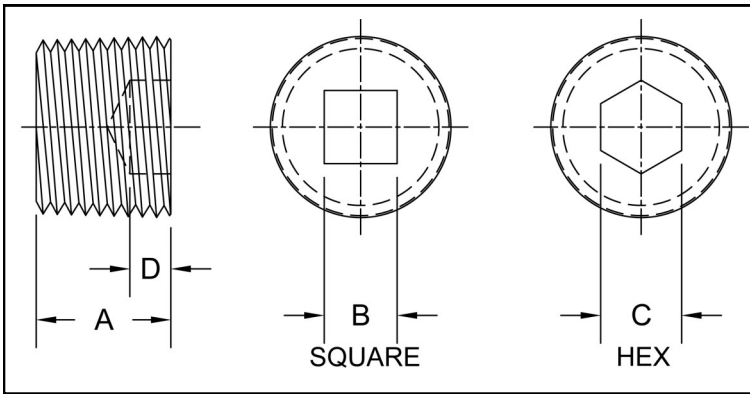
Material: AISI C1008-C1010.

Conforms to: SAE J531, ASME B1.20.3.

Notes: Dimensions conform to SAE-J531
 Threads conform to NPTF tolerance specified to ASME B1.20.3.
 Materials conform to AISI C 1008-1010.
 All sizes available in raw black phosphate with rust inhibitor or electroplated zinc.

Pipe Fittings

Pipe Plugs, Standard Pressure, Square & Hex Counter Sunk



Pipe Size	1/8	1/4	3/8	1/2	3/4	1	1-1/4	1-1/2	2
A	0.312	0.469	0.469	0.625	0.812	0.781	0.812	0.844	0.891
B	0.188	0.250	0.328	0.359	0.500	0.500	0.750	0.750	0.875
C	0.188	0.250	0.312	0.375	0.562	0.625	0.750	1.000	1.000
D	0.125	0.188	0.188	0.250	0.312	0.375	0.422	0.406	0.406
Wt. Ea.	0.01	0.02	0.03	0.06	0.10	0.20	0.33	0.46	0.88

Material: AISI C1008-C1010, AISI C12L14

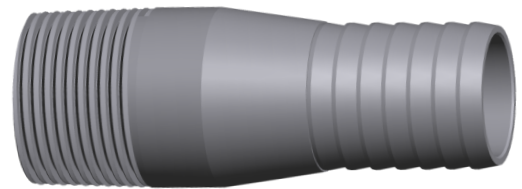
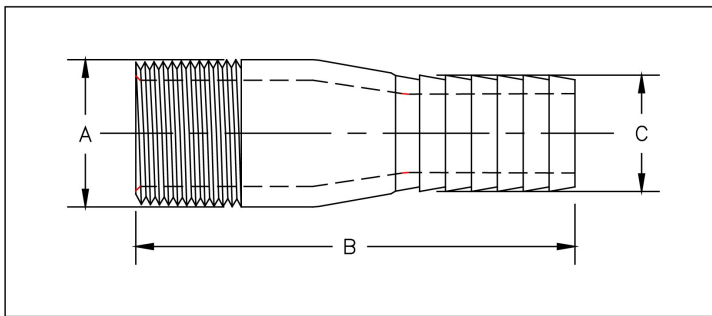
Conforms to: SAE J531, ASME B16.14, ASME B1.20.3

Dimensions: SAE J531, ASME B16.14, ASME B1.20.3

Notes: Dimensions of sizes from 1/8" through 1" conform to SAE J531.
 Dimensions of sizes from 1-1/4" through 2" conform to ASME B16.14.
 Threads conform to NPTF tolerances specified in ASME B1.20.3.
 Materials for sizes 1/8" through 1-1/4" conform to AISI C1008-1010.
 Materials for sizes 1-1/2" through 2" conform to AISI C12L14.
 All sizes available in raw black phosphated with rust inhibitor or electroplated zinc.

Pipe Fittings

Serrated Male Adapters for Plastic Pipe



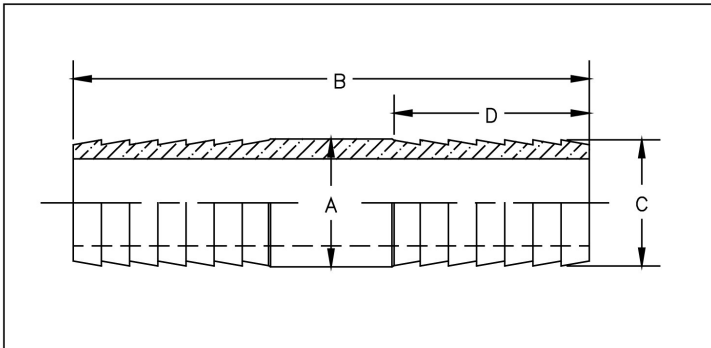
	1/2	3/4	1	1-1/4	1-1/2	2	2-1/2	3	4
Part Number	M-10	M-20	M-30	M-40	M-50	M-60	M-70	M-80	M-90
A	0.840	1.050	1.315	1.660	1.900	2.375	2.875	3.500	4.500
B	3.125	3.375	3.500	3.500	4.250	4.250	5.375	5.875	7.000
C	0.645	0.845	1.075	1.405	1.640	2.095	2.505	3.100	4.060
Wt. Ea.	0.14	0.23	0.34	0.50	0.64	0.90	2.00	2.50	4.50

Material: ASTM A53 Galvanized Pipe, ASTM B43 Red Brass

Notes: Use with Schedule 40 Plastic Pipe
 Plastic Pipe must be secured to Adapter with One or Two Worm Type Hose Clamps
 Pressure Rating equals that of Plastic Pipe

Pipe Fittings

Serrated Adapters Insert Couplings



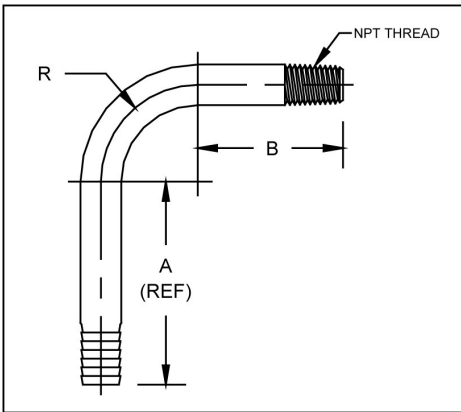
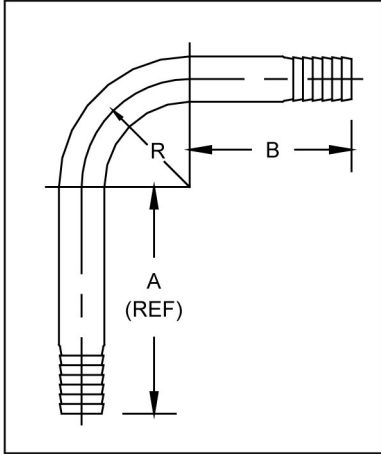
Pipe Size	1/2	3/4	1	1-1/4	1-1/2	2	2-1/2	3	4
Part Number	C-10	C-20	C-30	C-40	C-50	C-60	C-70	C-80	C-90
A	0.675	0.840	1.075	1.525	1.660	2.162	2.505	3.100	4.060
B	3.375	3.375	3.625	3.625	3.750	3.750	5.500	6.000	7.750
C	0.645	0.845	1.075	1.405	1.640	2.095	2.505	3.100	4.060
D	1.281	1.281	1.281	1.281	1.281	1.281	2.250	2.750	3.500
Wt. Ea.	0.10	0.18	0.38	0.36	0.60	1.21	1.50	2.50	5.75

Material: ASTM A53 Galvanized Pipe,
 Dimensions: Serrated Dimensions per ASTM D2609

Notes: Use with Schedule 40 Plastic Pipe
 Plastic Pipe must be secured to Adapter with One or Two Worm Type Hose Clamps
 Pressure Rating equals that of Plastic Pipe

Pipe Fittings

Serrated Adapters, Well Seal Elbows



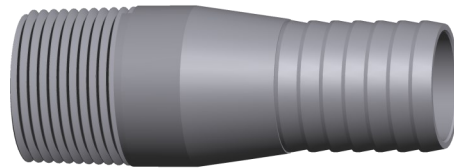
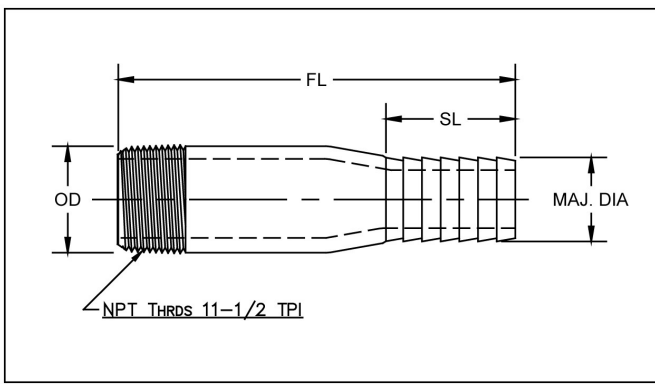
Pipe Size	Part Number	Dim A Ref	Dim B	R Steel	R Brass
1	W-30	5-1/4	3-3/4	3	2-1/4
1-1/4	W-40	5-1/4	3-3/4	4-7/8	3-7/8

Styles: Both Ends Serrated or One End Serrated x NPT Pipe Threads
 Material: ASTM A53 Galvanized Pipe, ASTM B43 Red Brass
 Dimensions: Serrated Dimensions per ASTM D2609, NPT Pipe Threads per ASME B1.20.1

Notes: Use with Schedule 40 Plastic Pipe
 Plastic Pipe must be secured to Adapter with One or Two Worm Type Hose Clamps
 Pressure Rating equals that of Plastic Pipe

Pipe Fittings

Serrated Adapters, Male Venturi



Pipe Size	Part Number	OD	FL	SL	Maj. Dia.
1	MV-310	1.315	10	1-9/32	1.075
1-1/4	MV-410	1.660	10	1-9/32	1.405

Material: ASTM A53 Galvanized Pipe

Dimensions: Serrated Dimensions per ASTM D2609, NPT Pipe Threads per ASME B1.20.1

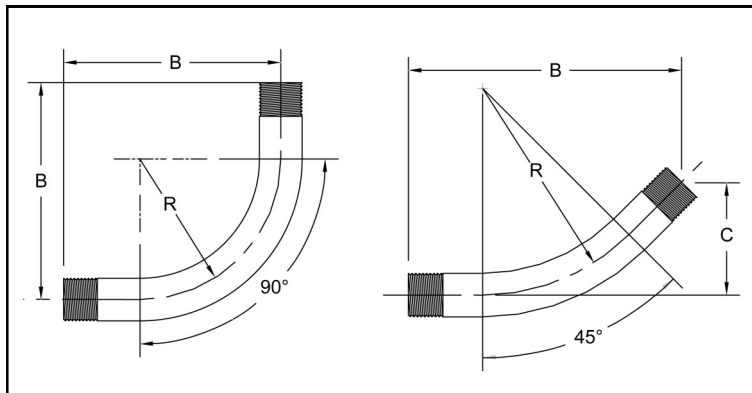
Notes: Use with Schedule 40 Plastic Pipe

Plastic Pipe must be secured to Adapter with One or Two Worm Type Hose Clamps

Pressure Rating equals that of Plastic Pipe

Conduit Fittings

Rigid Conduit Elbows 90° and 45°



Standard Radius				
Size	Radius R	90° B Dim.	45° B Dim.	45° C Dim.
1/2	4	6-3/16	7-13/16	3-1/4
3/4	4-1/2	6-3/4	8-11/16	3-5/8
1	5-3/4	8-5/8	9-3/16	3-13/16
1-1/4	7-1/4	10-1/16	10-11/16	4-7/16
1-1/2	8-1/4	11-9/16	11-13/16	4-7/8
2	9-1/2	14-1/16	14-7/8	6-1/8
2-1/2	10-1/2	16	18-5/16	7-9/16
3	13	19-11/16	20-9/16	8-1/2
3-1/2	15	22-3/16	23-3/16	9-5/8
4	16	23-1/8	24-1/2	10-1/8
5	24	36-1/8	38-1/4	15-7/8
6	30	42-15/16	42	17-3/8

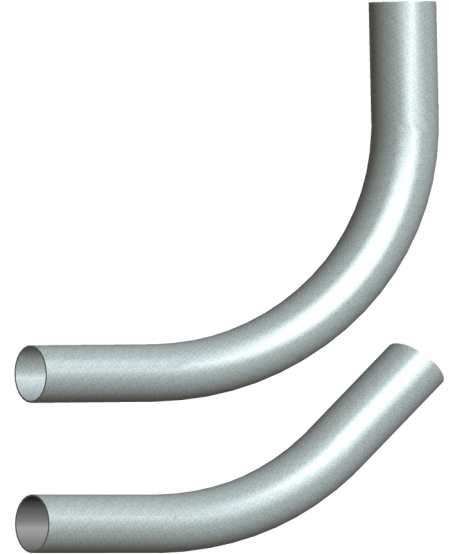
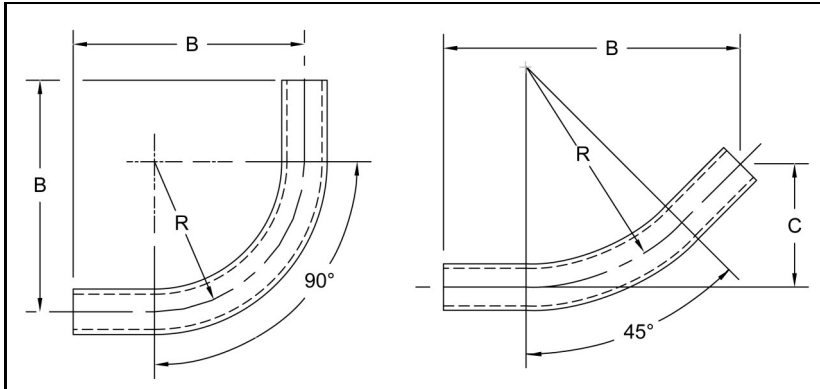
Special Radius				
Radius R	Sizes Available	90° B Dim.	45° B Dim.	45° C Dim.
12	1 thru 2-1/2	21	23-7/8	9-7/8
15	1 thru 3	24	26	10-3/4
18	1 thru 4	28	29-3/4	12-3/8
24	1 thru 4	35	35-3/4	14-13/16
30	1 thru 5	41	40	16-9/16
36	1 thru 6	47	44-1/4	18-5/16
42	1 thru 6	54	50-1/8	20-13/16
48	1 thru 6	60	54-3/8	22-9/16

Material: Galvanized Steel, 304 Stainless Steel and Aluminum Elbows are listed cUL_{US} and meet requirements of both CSA and UL.
 5" and 6" Elbows are available only in Galvanized Steel and Aluminum.
 316 Stainless Steel Elbows are available upon request.
 Aluminum Elbows are made from 6063 alloy with a maximum Copper content of 0.1%.

Notes: Radius R is the minimum. Dimensions B and C are reference dimensions.
 11-1/4°, 15°, 22-1/2°, 30° and 60° Elbows are also available.
 Both ends NPT threads conform to ANSI B1.20.1.

Conduit Fittings

EMT Elbows 90° and 45°



Standard Radius				
Size	Radius R	90° B Dim.	45° B Dim.	45° C Dim.
1/2	4	6-3/16	7	2-7/8
3/4	4-1/2	6-11/16	7-7/8	3-1/4
1	5-3/4	8-9/16	8-15/16	3-11/16
1-1/4	7-1/4	10	9-11/16	4
1-1/2	8-1/4	11-1/2	11-3/8	4-11/16
2	9-1/2	14-1/16	14	5-13/16
2-1/2	10-1/2	16	19-3/8	8
3	13	20	22	9-1/8
3-1/2	15	23	23-13/16	9-7/8
4	16	24-7/16	25-1/16	10-3/8

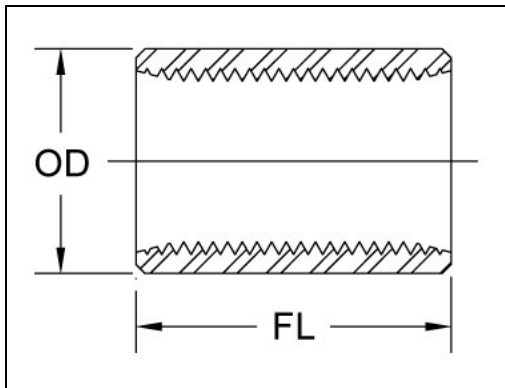
Special Radius				
Radius R	Sizes Available	90° B Dim.	45° B Dim.	45° C Dim.
12	1-1/4 thru 1-1/2	21	23-7/8	9-7/8
15	1-1/2 thru 2	24	26	10-3/4
18	1-1/4 thru 2	28	29-3/4	12-3/8
24	2 thru 3	35	35-3/4	14-13/16
30	3 thru 4	41	40	16-9/16
36	1-1/2 thru 4	47	44-1/4	18-5/16
42	3-1/2 thru 4	54	50-1/8	20-13/16
48	1-1/2, 3 thru 4	60	54-3/8	22-9/16

Material: Galvanized Steel EMT Elbows are listed cULus and meet requirements of both CSA and UL.

Notes: Radius R is the minimum. Dimensions B and C are reference dimensions. 11-1/4°, 15°, 22-1/2°, 30° and 60° Elbows are also available in Standard Radius only.

Conduit Fittings

Conduit Couplings



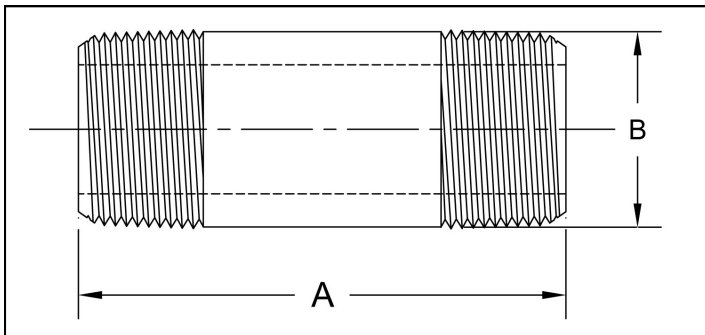
Size	Threads per inch	OD inches	Minimum Length FL
1/2	14	1.010	1-5/8
3/4	14	1.250	1-41/64
1	11-1/2	1.525	1-31/32
1-1/4	11-1/2	1.869	2-1/32
1-1/2	11-1/2	2.155	2-1/16
2	11-1/2	2.650	2-1/8
2-1/2	8	3.250	3-3/16
3	8	3.870	3-5/16
3-1/2	8	4.500	3-13/32
4	8	4.875	3-33/64
5	8	6.000	3-61/64
6	8	7.100	4-1/4

Material: Galvanized Steel, 304 Stainless and Aluminum Conduit Couplings meet requirements of both CSA and UL.
Aluminum Conduit Couplings are made from 6063 alloy with a maximum Copper content of 0.1%.

Notes: 304 Stainless Steel Conduit Couplings are available only up to 4" size.
O.D. of Stainless Steel Conduit Couplings may be larger than shown.

Conduit Fittings

Conduit Nipples



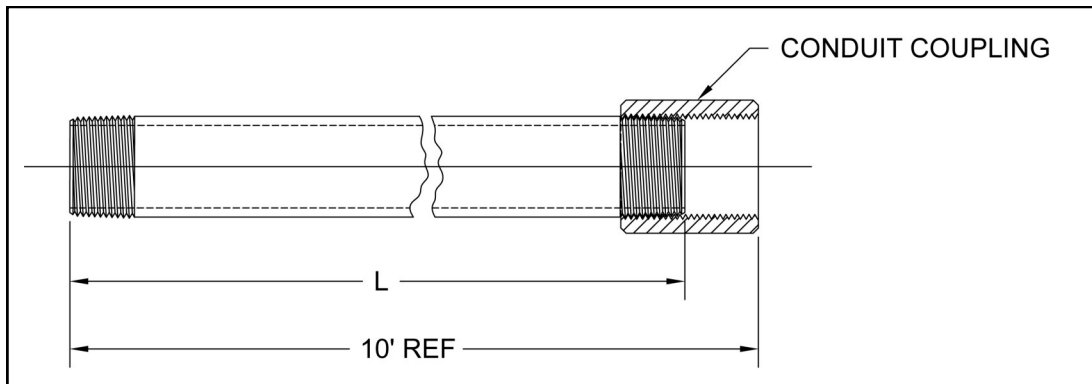
Size	Diameter B	Dim A													
		Close Length	1-1/2	2	2-1/2	3	3-1/2	4	4-1/2	5	5-1/2	6	8	10	12
1/2	.840	1-1/8	X	X	X	X	X	X	X	X	X	X	X	X	X
3/4	1.015	1-3/8	X	X	X	X	X	X	X	X	X	X	X	X	X
1	1.315	1-1/2		X	X	X	X	X	X	X	X	X	X	X	X
1-1/4	1.660	1-5/8		X	X	X	X	X	X	X	X	X	X	X	X
1-1/2	1.900	1-3/4		X	X	X	X	X	X	X	X	X	X	X	X
2	2.375	2			X	X	X	X	X	X	X	X	X	X	X
2-1/2	2.875	2-1/2				X	X	X	X	X	X	X	X	X	X
3	3.500	2-5/8				X	X	X	X	X	X	X	X	X	X
3-1/2	4.000	2-3/4						X	X	X	X	X	X	X	X
4	4.500	2-7/8						X	X	X	X	X	X	X	X
5	5.563	3							X	X	X	X	X	X	X
6	6.625	3-1/8							X	X	X	X	X	X	X

Material: Galvanized Steel, 304 or 316 Stainless Steel and Aluminum Conduit Nipples are listed CSA and meet the requirements of both CSA and UL.
Aluminum Conduit Nipples are made from 6063 alloy with a maximum Copper Content of 0.1%.

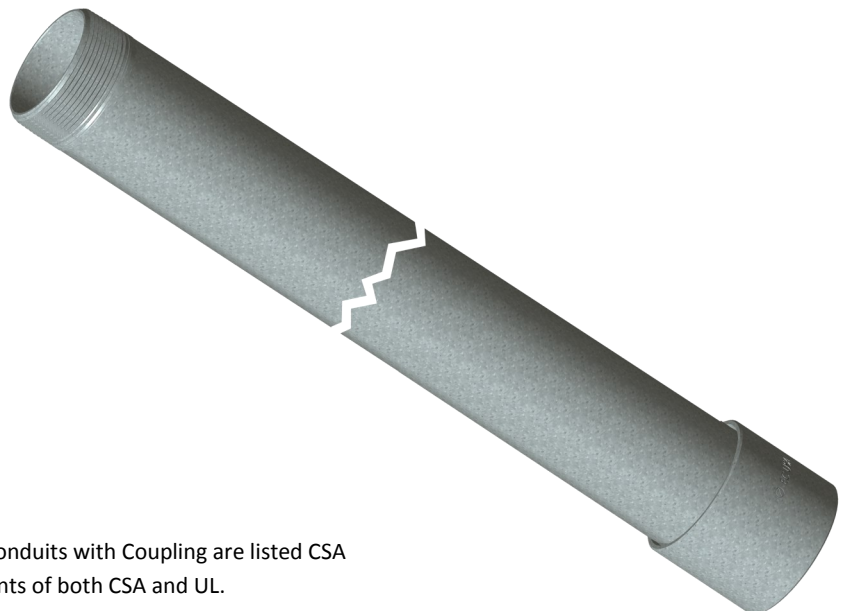
Notes: Lengths longer than 12" and Special threads are available upon request.
Both ends NPT threads conform to ANSI B1.20.1.

Conduit Fittings

10' Rigid Stainless Steel Conduits with Coupling



Size	L Dim.
1/2	9' 11-1/4"
3/4	9' 11-1/4"
1	9' 11"
1-1/4	9' 11"
1-1/2	9' 11"
2	9' 11"
2-1/2	9' 10-1/2"
3	9' 10-1/2"
4	9' 10-1/2"



Material: 304 Stainless Steel Conduits with Coupling are listed CSA and meet requirements of both CSA and UL.

Note: Both ends have NPT threads and conform to ANSI B1.20.1.