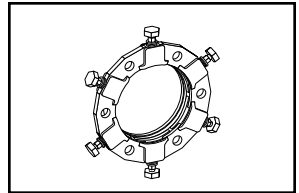


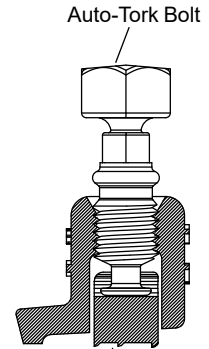
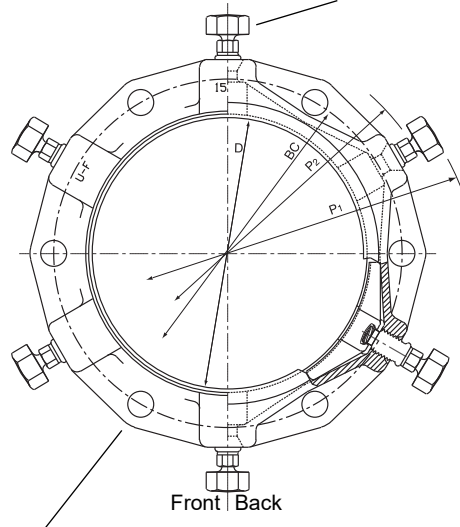
SUBMITTAL INFORMATION

Uni-Flange® Mechanical Joint Restraint - (UFR1500-x-OS-U style)



4" - 8" OLD STYLE SERIES UFR1500 MECHANICAL JOINT RESTRAINT FOR C900, C909, IPS PVC OR HDPE

Ductile iron actuating screw, with the Auto-Tork break-away head design, ensures proper torque during installation



Restraint Segment

Ring segments are ductile iron per ASTM A536 and heat treated to a hardness of 310 BHN minimum

Gland body is of high strength ductile iron per ASTM A536, grade 65-45-12.
Compatible with all mechanical joints conforming to ANSI / AWWA C111 / A21.11

NOM. PIPE SIZE	PIPE O.D. (IN.)	CATALOG NUMBER	NO. OF RESTRAINT SEGMENTS	APPROX. WEIGHT (LBS.)	P1*	P2** APPROX.		BC	D	PRESSURE RATING (PSI)						✓ SUBMITTED ITEM(s)
						C900	IPS			C900			C909	ASTM D2241		
										DR-14	DR-18	DR-25	PC-235	SDR-21	SDR-26	
4"	4.22"-4.80"	UFR1500-4-OS-U	4	9	13.00"	9.40"	9.25"	7.50"	4.90"	305	235	165	235	200	160	
6"	6.28"-6.90"	UFR1500-6-OS-U	6	11	15.13"	11.60"	11.65"	9.50"	7.00"	305	235	165	235	200	160	
8"	8.40"-9.05"	UFR1500-8-OS-U	6	15	17.25"	13.75"	13.60"	11.75"	9.15"	305	235	165	235	200	160	

*Maximum O.D. of gland on pipe before Auto-Tork heads are removed (as shipped)

**Maximum O.D. of gland on pipe after Auto-Tork heads are removed

Note: Ford recommends the use of a properly sized insert stiffener when using UFR1500 on HDPE

FEATURES

- Fits C900, C909, ASTM D2241 IPS PVC and HDPE
- Full circle contact and support of the pipe wall
- Auto-Tork actuating screws with heads specially designed to twist off at the correct installation torque, leaving a hex head in case future system maintenance or removal is required
- Restraint segments are mechanically retained in pockets
- Series 1500 eliminates the need to pour expensive and time consuming concrete thrust blocks
- Gland, screws and segments are protected with black Armorguard e-coat
- Gland colored red for identification purposes

The Ford Meter Box Company considers the information in this submittal form to be correct at the time of publication. Item and option availability, including specifications, are subject to change without notice. Please verify that your product information is current. Our standard warranty applies.



The Ford Meter Box Company, Inc.

P.O. Box 443, Wabash, Indiana U.S.A. 46992-0443

Phone: 260-563-3171 / Fax: 800-826-3487

Overseas Fax: 260-563-0167

www.fordmeterbox.com



06/28/21

Submitted By: