



# 9,000 BTU/H SINGLE ZONE OUTDOOR UNIT

SUBMITTAL COVER SHEET

PROJECT NAME \_\_\_\_\_

LOCATION \_\_\_\_\_

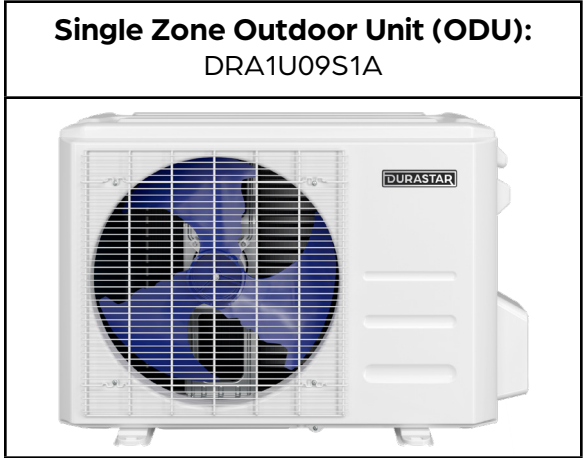
ARCHITECT \_\_\_\_\_

ENGINEER \_\_\_\_\_

CONTRACTOR \_\_\_\_\_

REFERENCE \_\_\_\_\_

SUBMITTED BY \_\_\_\_\_ DATE \_\_\_\_\_



CAPACITIES		
Cooling Capacity (BTU/hr)	Rated <sup>1</sup>	9000
	Minimum	3600
	Maximum	10300
Heating Capacity (BTU/hr)	Rated <sup>2</sup>	9800
	Minimum	3500
	Maximum	11500

EFFICIENCY DATA	
SEER	22.8
EER	14
HSPF	11.5

### PRODUCT FEATURES

- Variable Speed Inverter Compressor
- Auto Restart
- Base Pan Heater

OUTDOOR TEMPERATURE OPERATION	
Cooling	-13 °F - 122 °F (-25 °C - 50 °C)
Heating	-13 °F - 86 °F (-25 °C - 30 °C)

ELECTRICAL DATA	
Voltage/Phase/Frequency	208-230V, 1 Phase, 60 Hz
Voltage Range	187-253V
Recommended Breaker (Amps)	15
Minimum Circuit Ampacity (Amps)	10
Minimum Wire Size	16 AWG
Rated Current - Cooling (Amps) <sup>1</sup>	2.9
Rated Current - Heating (Amps) <sup>2</sup>	4.2

<sup>1</sup> Measured at 95 °F.

<sup>2</sup> Measured at 47 °F.

Specifications are subject to change without notice.

© 2021 Ferguson Enterprises LLC

www.durastar.com





# 9,000 BTU/H SINGLE ZONE OUTDOOR UNIT

SPECIFICATIONS – DRA1U09S1A

SYSTEM DATA	
Refrigerant Type	R-410A
Refrigerant Charge (oz.)	38.8
Oil Type	VG74
Oil Charge (oz.)	12.5 (370 ml)
Design Pressure (PSIG)	550/340

LINE SET REQUIREMENTS	
Connection Type	Flare
Liquid	Ø1/4" (Ø6.35mm)
Gas	Ø3/8" (Ø9.52mm)
Pre-Charge Length	25'
Maximum Length	82'
Minimum Length (One Indoor Unit)	10'
Max. Height Differential Between Indoor and Outdoor Unit	33'
Additional Refrigerant (oz/ft)	0.16

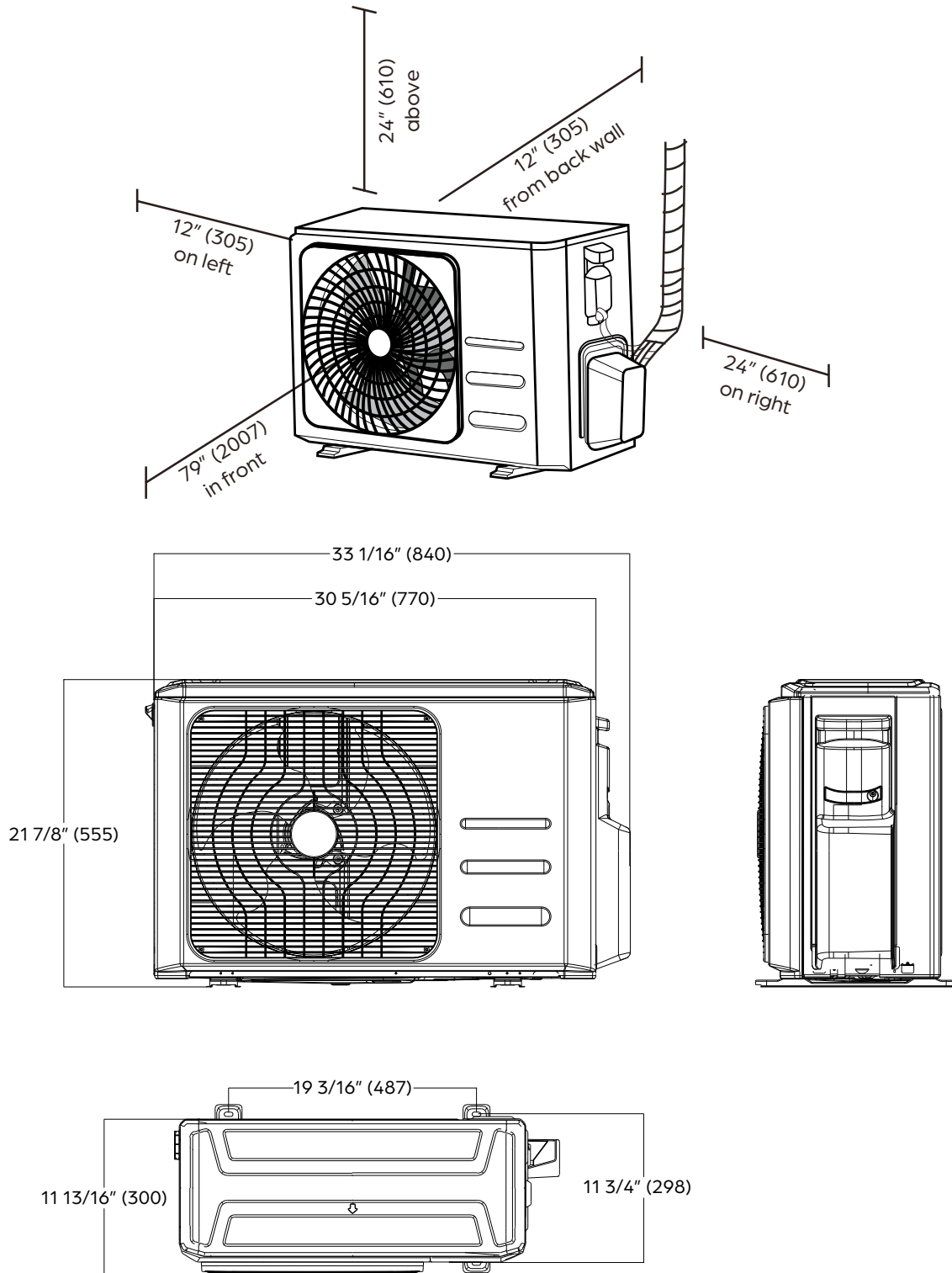
OUTDOOR UNIT FAN DATA	
Airflow (CFM)	1176
Sound Pressure (dB(A))	55
Type	DC
RLA (A)	0.4

OUTDOOR UNIT DIMENSIONS		
Unit Dimensions	Width	30 5/16"
	Depth	11 13/16"
	Height	21 7/8"
Carton Dimensions	Width	35 7/16"
	Depth	13 9/16"
	Height	23"
Net Weight	67.2 lbs.	
Gross Weight	71.7 lbs.	



# 9,000 BTU/H SINGLE ZONE OUTDOOR UNIT

ODU DIMENSIONS - DRA1U09S1A



### NOTE

Illustrations in this document are for explanatory purposes. The actual shape of your mini-split equipment may vary slightly.