



Appliance Manufacturer _____
Appliance Type _____
Model Number _____
Submitted by _____
Approved by _____

Job Name _____
Date _____
Date _____

Applicable Standards

UL-1738 • ULC-S636 • Category II, III, and IV Gas Vent BH • Class II C Gas Vent BH

The **InnoFlue®** Vent System is manufactured from polypropylene.

It has been tested and listed by Intertek to UL-1738 and ULC-S636 for use with Category II, III, IV (US), and Gas- Vent-BH, Class II C (Canada) Residential, Commercial and Industrial gas fired appliances. **InnoFlue®** is UL-1738 & ULC-S636 rated for use with maximum flue gas temperatures of 230°F (110° C). NOTE: **Centrotherm Eco Systems** warrants **InnoFlue®** up to a sustained maximum flue gas temperature of 248°F (120°C). **InnoFlue®** is rated to a maximum vent pressure of 20" of water column.

As part of regular equipment maintenance, check for vent system integrity and blockage.

All installations must conform to all relevant Local, State, and National codes. In the US: National Fuel Gas Code ANSI-Z223.1, NFPA 54, NFPA 211. In Canada: CAN/CGA-B149.1 or CAN/CGA- B149.2. Permits may be required before an installation can begin. Before installation, each vent component must be inspected for possible shipping damage and correct seal placement. These installation instructions must be read, understood and complied with. These installation instructions comply with UL-1738 and ULC-S636. Refer to the appliance manufacturer's installation instructions for appliance adaptors, terminations and maximum allowable vent length. For UL- 1738 & ULC-S636 approved **InnoFlue®** components, consult the **InnoFlue®** catalog at <http://centrotherm.us.com>.

InnoFlue® vent components must be used throughout the entire vent system.

Do not mix with other vent manufacturer's products.

PART 1 GENERAL SPEC

1.1 SCOPE

- A. The provisions of Section _____, Mechanical General specifications apply to all work in this Section
- B. This Section includes all specifications relating to the furnishing and installing of Single Wall Positive Pressure Vent Systems for Condensing Heating Appliances.

1.2 SUBMITTALS

Submit the following items in accordance with Section _____:

- A. Catalog Cuts/Diagrams/Descriptions
- B. Sizing calculations
- C. Installation instructions
- D. Installation drawings
- E. Copy of product warranties

1.3 CODES AND APPLICABLE STANDARDS

All products furnished under this Section shall conform to the requirements of The National Fuel Gas Code, ANSI Z223.1/NFPA-54 where applicable and shall comply with and be listed to UL-1738, the US Standard for Venting Systems for Gas-Burning Appliances, Categories II, III, and IV and ULC-S636-95, the Canadian Standard for Type BH gas vent systems. These requirements cover venting systems intended for venting Category II or IV gas-burning appliances as defined by the Standard for Gas-Fired Central Furnaces (except Direct-Vent Central Furnaces), ANSI Z21.47 and the National Fuel Gas Code, NFPA 54. Venting systems covered by these requirements are intended to be used with Category II, III, and IV appliances that have been installed in accordance with NFPA 54, and with codes such as the BOCA National Mechanical Code, the Standard Mechanical Code, the Uniform Mechanical Code, and local codes. Components coming in direct contact with products of combustion shall carry the appropriate UL/cUL labels.

1.4 WARRANTIES

The manufacturer shall warrant the Positive Pressure Vent System against defects in material and workmanship for a period of 10 years from the date of the original installation. Any portion of the vent repaired or replaced under the warranty shall be warranted for the remainder of the original warranty period.

PART 2 PRODUCTS

2.1 POSITIVE PRESSURE VENT

- A. The vent shall be of the single wall, factory-built type, designed for use in conjunction with Category II, or IV condensing gas fired appliances, condensing oil fired appliances or as specified by the heating equipment manufacturer.
- B. Maximum continuous flue gas temperature shall not exceed 230 degrees F (110 degrees C).
- C. Vent shall be listed for a maximum positive pressure rating of 20" w.c.
- D. The vent system shall be continuous from the appliance's flue outlet to the vent termination outside the building. All systems components shall be UL/cUL listed and supplied by the same manufacturer.

E. The vent shall be constructed from Flame Resistant Polypropylene, with a min. wall thickness of:

Diameter		Wall Thickness of Extruded Pipes			
mm	inches	min (mm)	max (mm)	min (inch)	max (inch)
DN 60	2"	1.7	2.2	0.0669	0.0866
DN 80	3"	1.8	2.4	0.0709	0.0945
DN 110	4"	2.4	3.2	0.0945	0.1260
DN 125	5"	2.7	3.7	0.1063	0.1457
DN 160	6"	2.9	4.5	0.1142	0.1772
DN 200	8"	3.5	4.5	0.1378	0.1772
DN 250	10"	3.3	4.7	0.1299	0.1850
DN 315	12"	4.2	5.8	0.1654	0.2283

F. All systems components such as vent supports, roof or wall penetrations, terminations, appliance connectors and drain fittings required to install the vent system shall be UL/cUL listed and provided by the vent manufacturer.

G. All systems components shall include a factory- installed gasket in their female-end to render the vent air and water tight when the male/female ends are pushed together as per manufacturer’s instructions. Vent systems requiring field installed sealants or compounds shall not be acceptable.

H. Vent layout shall be designed and installed in compliance with manufacturer’s installation instructions and all applicable local codes.

2.2 AVAILABLE MANUFACTURERS

Vent shall be InnoFlue® manufactured by Centrotherm.

PART 3 EXECUTION

3.01 VENT SYSTEM LAYOUT

A. The vent system shall be routed for zero clearance to combustibles as specified by the manufacturer.

B. Vent Installation shall conform to the manufacturer’s installation instructions, its UL/cUL listing and state/local codes

C. The vent system and breechings shall be inspected and cleaned before the final connection to the appliances.

3.02 MECHANICAL EQUIPMENT

A. If dampers or fans are installed in conjunction with the vent system, such equipment shall be supported independently from the vent system. Protect vent system from twisting or movement due to fan torque or vibration.

Table of Contents

Page	Item	SKU
Appliance Adaptors		
5	Gasketed Adaptor	ISAGL
5	PVC to PP	ISAAL
5	SS to PP	ISSA
6	Flanged Adaptor	ISAFLG
6	OEM to InnoFlue	ISAF
6	Vibration Isolation Boot	ISVIB
Increasesers & Reducers		
7	Centric Increaser	ISIA
7	Eccentric Increaser	ISEI
7	Reducers	ISRDR
7	Tapered Reducer	ISTR
Vent Lengths		
8	Single Wall Vent Lengths	ISVL
Bends		
9	Elbows	ISEL
Base Supports		
10	Base Supports	ISBS
Condensate Management		
11	Test Ports	ISTP
11	Horizontal Drain Tees	ISHDT
11	Horizontal Drain Fittings	ISHDF
12	Tee Cap With Drain	ISTCD
12	Tee Cap	ISTC
12	Tee	IST
12	Siphon	IASJVBS
Common Venting		
13	Branch Tees	ISBT
Terminations		
14	Chimney Cover - PP	ISCP
14	Chimney Cover - SS w/ PP End Pipe	ISCM
14	Low Profile Wall Terminations	ISLPT
15	Flat / Pitched Roof Flashings	IAFRF / IAPRF
15	End Pipes	ISEP
16	Universal B-Vent Cap	IAUBVC
16	Termination Tees	ISTT
16	Velocity Cones	ISVC
Accessories		
17	Bird Screens	IASPP
17	Spacers	IASP
17	Flue Clamps	IAFC
18	Wall Plates	IAWPP
18	Double-Hose Clamps	IADHC
18	Support Clamps	IASCM
18	EPDM Gaskets	ISGE
19	Connector Rings	IANR
19	B-Vent Gaskets	IACG
19	Centrocerin Lubricant	IACE50



Appliance Adaptors



Appliance Adaptor for Coupler Style Flue Collars

Adapts a female PVC / CPVC coupler or appliance flue exhaust to InnoFlue® SW diameters.

Nominal Diameter PVC to PP	Part	Overall Length A	Effective Length B	Max O.D. C
2 1/2" (60/60)	ISAGL0202	3.3 (83)	1.0 (26)	3.0 (76)
3 1/3" (89/80)	ISAGL0303	3.0 (75)	0.8 (21)	3.8 (97)
4 1/4" (114/110)	ISAGL0404	3.4 (87)	0.8 (21)	5.1 (129)
6 1/6" (168/160)	ISAGL0606	7.6 (194)	7.0 (178)	7.0 (178)



Appliance Adaptor for Flue Collar with Hose Clamp

Adapts a female PVC / CPVC sized appliance collar (with integrated gasket) to InnoFlue® SW diameters.

Nominal Diameter PVC to PP	Part	Overall Length A	Effective Length B	Max O.D. C
2 1/2" (60/60)	ISAAL0202	3.3 (83)	1.0 (26)	3.0 (76)
3 1/3" (89/80)	ISAAL0303	3.0 (75)	0.8 (21)	3.8 (97)
4 1/4" (114/110)	ISAAL0404	3.4 (87)	0.8 (21)	5.1 (129)
6 1/6" (168/160)	ISAAL0606	7.6 (194)	7.0 (178)	7.0 (178)



Appliance Adaptor Tapered SS to InnoFlue®

Adapts a tapered female stainless steel appliance flue exhaust with tabs to InnoFlue®

Nominal Diameter	Part	Overall Length A	Effective Length B	Max O.D. C
3" (80)	ISAAS0303	4.5 (115)	0.8 (21)	3.8 (97)
4" (110)	ISAAS0404	4.8 (122)	0.8 (21)	5.1 (129)



Appliance Adaptor Straight SS to InnoFlue®

Adapts a stainless steel appliance flue exhaust with gasket and clamp to InnoFlue®

Nominal Diameter	Part	Overall Length A	Effective Length B	Max O.D. C
3 1/3" (76/80)	ISSA0303	6.0 (153)	3.1 (78)	3.8 (97)
4 1/4" (102/110)	ISSA0404	6.0 (153)	3.6 (91)	5.1 (129)
6 1/6" (152/160)	ISSA0606	7.3 (185)	4.2 (107)	7.8 (183)
7" (180) to 8" (200)	ISSA0708	8.7 (221)	6.1 (155)	8.8 (224)
8 1/8" 203/200)	ISSA0808	8.9 (226)	5.0 (127)	8.8 (224)
10 1/10" (254/250)	ISSA1010	8.9 (226)	5.0 (127)	10.7 (272)
12 1/12" (305/315)	ISSA1212	16.9 (429)	4.2 (107)	13.8 (350)

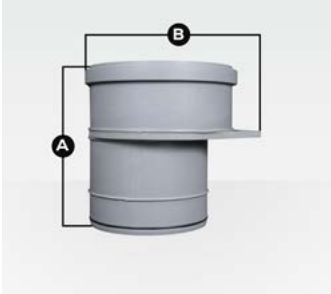
Check adaptor matrix at www.centrotherm.us.com/Tools/OEM-Approval-Matrix.aspx



Commercial Flanged Appliance Adaptor OEM to InnFlue®

Adapts InnoFlue® with bolt down flanged adaptor.
Available for purchase through Centrotherm.

Nominal Diameter	Part	Overall Length A	Maximum OD B
3" (80)	ISAFLG03	3.7 (94)	8.8 (224)
4" (110)	ISAFLG04	4.7 (119)	8.8 (224)
6" (160)	ISAFLG06	4.3 (109)	8.8 (224)
8" (200)	ISAFLG08	6.2 (158)	11.3 (287)
10" (250)	ISAFLG10	6.2 (157)	15.0 (381)
12" (315)	ISAFLG12	13.2 (335)	15.0 (381)



Commercial Appliance Adaptor OEM to InnoFlue®

Adapts boilers to InnoFlue®.

Nominal Diameter	Part	Overall Length A	Max O.D. B
7" (180) to 8" (200)	ISAF0708	9.0 (229)	8.8 (224)
8" (200)	ISAF0808	8.0 (204)	8.8 (224)
10" (250)	ISAF1010	8.0 (204)	10.8 (27)



Vibration Isolation Boot with Clamps

High temperature silicone boot seals InnoFlue® SW Vent lengths and Fittings to appliance flue outlet and minimizes vibration transfer from appliance to vent.

Nominal Diameter PVC to PP	Part	Width	I.D
6" (160)	ISVIB06	2.4 (60)	6.3 (160)
8" (200)	ISVIB08	2.4 (60)	7.9 (200)
10" (250)	ISVIB10	2.4 (60)	9.8 (250)
12" (315)	ISVIB12	2.4 (60)	12.4 (315)

Increasers & Reducers



Centric Increaser				
Transitions vent system to a larger diameter. Install in vertical orientation only. Additional configurations available upon request.				
Nominal Diameter	Part	Overall Length A	Effective Length B	Max O.D. C
2"/3" (60/80)	ISIA0203	5.9 (150)	3.5 (89)	3.8 (97)
3"/4" (80/110)	ISIA0304	5.7 (145)	3.2 (81)	5.1 (129)
4"/4" (100/110)	ISIA10004	6.4 (163)	4.2 (105)	5.1 (129)
4"/6" (110/160)	ISIA0406	7.6 (193)	4.8 (122)	7.2 (183)
5"/6" (125/160)	ISIA0506	7.2 (185)	4.3 (110)	7.2 (185)
6"/6" (150/160)	ISIA15006	7.7 (196)	4.9 (124)	7.2 (183)
6"/8" (160/200)	ISIA0608	10.4 (265)	6.5 (165)	8.8 (224)
6"/12" (160/315)	ISIA0612	18.1 (460)	5.4 (137)	13.8 (351)
8"/10" (200/250)	ISIA0810	11.6 (295)	7.7 (195)	10.7 (272)
10"/12" (250/315)	ISIA1012	18.2 (463)	5.5 (141)	13.8 (350)
300mm/12" (300/315)	ISIA30012			



Eccentric Increaser				
Transitions vent system to a larger diameter. Install in horizontal or vertical orientation. Other size combinations available upon request.				
Nominal Diameter	Part	Overall Length A	Effective Length B	Max O.D. C
2"/3" (60/80)	ISEI0203	5.3 (135)	3.1 (79)	3.8 (97)
3"/4" (80/110)	ISEI0304	6.1 (156)	3.6 (91)	5.1 (129)
4"/6" (110/160)	ISEI0406	9.2 (234)	6.4 (163)	7.2 (183)
5"/6" (125/160)	ISEI0506	7.2 (185)	4.3 (108)	7.2 (183)
6"/8" (160/200)	ISEI0608	10.4 (265)	6.5 (165)	8.8 (224)
6"/12" (160/315)	ISEI0612	18.1 (460)	5.4 (137)	13.8 (350)
8"/10" (200/250)	ISEI0810	11.8 (300)	7.8 (200)	10.7 (272)
8"/12" (200/315)	ISEI0812	16.9 (429)	4.2 (107)	13.8 (350)
10"/12" (250/315)	ISEI1012	20.2 (514)	7.8 (200)	13.8 (350)

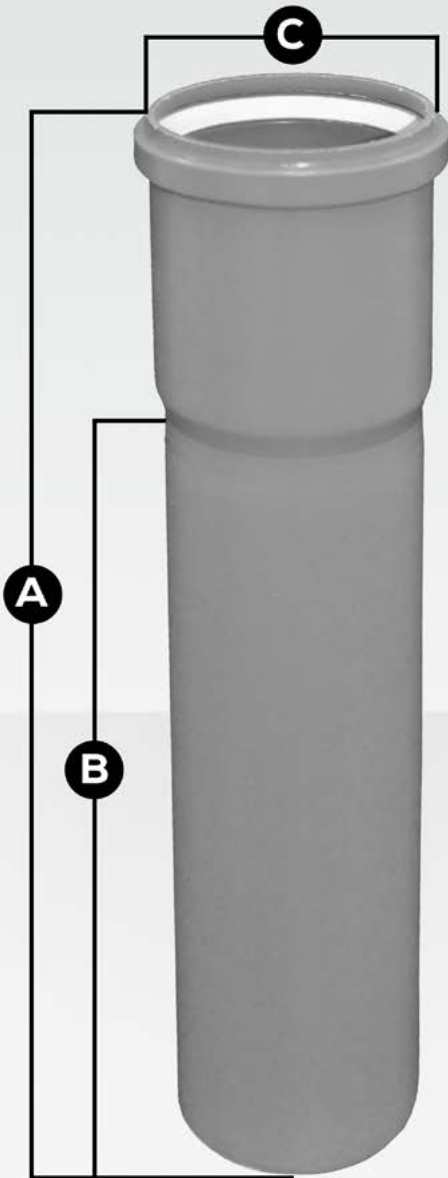


Reducers				
Transitions vent system to a smaller diameter.				
Nominal Diameter	Part	Overall Length A	Effective Length B	Max O.D. C
4"/3" (110/80)	ISRD0403	6.0 (153)	3.5 (89)	4.3 (110)
6"/4" (160/110)	ISRD0604	6.5 (166)	4.0 (102)	6.3 (160)
6"/4" (150/110)	ISRD15004	8.8 (223)	6.5 (165)	5.9 (150)
8"/6" (200/160)	ISRD0806	8.0 (204)	5.2 (133)	7.9 (201)
10"/8" (250/200)	ISRD1008	9.2 (234)	5.2 (133)	9.9 (252)
12"/10" (315/250)	ISRD1210	17.9 (455)	14.0 (356)	12.5 (318)



Tapered Reducer				
Nominal Diameter	Part	Overall Length A	Effective Length B	Max O.D. C
8"/6" (200/160)	ISTR0806	13.5 (343)	10.7 (272)	7.9 (200)
10"/6" (250/160)	ISTR1006	18.5 (409)	16.3 (414)	9.9 (250)
10"/8" (250/200)	ISTR1008	16.6 (422)	12.6 (320)	9.9 (250)

Vent Lengths



Rigid Vent Length

Rigid polypropylene vent lengths with dedicated male and female ends. Female ends contain internal gasket and male ends can be field cut and chamfered to desired length.

Nominal Diameter	Part	Overall Length A	Effective Length B	Max O.D. C
2" (60)	ISVL021	16.4 (411)	12 (305)	3.0 (76)
2" (60)	ISVL022	28.4 (716)	24 (610)	3.0 (76)
2" (60)	ISVL023	40.4 (1021)	36 (914)	3.0 (76)
2" (60)	ISVL026	76.4 (1935)	72 (1829)	3.0 (76)
2" (60)	ISVL0210	124.2 (3155)	120 (3048)	3.0 (76)
3" (80)	ISVL031	16.4 (411)	12 (305)	3.8 (97)
3" (80)	ISVL032	28.4 (716)	24 (610)	3.8 (97)
3" (80)	ISVL033	40.2 (1021)	36 (914)	3.8 (97)
3" (80)	ISVL036	76.4 (1935)	72 (1829)	3.8 (97)
3" (80)	ISVL0310	124.2 (3155)	120 (3048)	3.8 (97)
4" (110)	ISVL041	16.0 (406)	12 (305)	5.1 (129)
4" (110)	ISVL042	28.0 (711)	24 (610)	5.1 (129)
4" (110)	ISVL043	40.2 (1016)	36 (914)	5.1 (129)
4" (110)	ISVL046	76.2 (1930)	72 (1829)	5.1 (129)
4" (110)	ISVL0410	124.2 (3155)	120 (3048)	5.1 (129)
6" (160)	ISVL061	15.5 (345)	12 (305)	7.2 (183)
6" (160)	ISVL062	27.5 (700)	24 (610)	7.2 (183)
6" (160)	ISVL063	39.5 (1004)	36 (914)	7.2 (183)
6" (160)	ISVL066	75.5 (1919)	72 (1829)	7.2 (183)
6" (160)	ISVL0610	124.25 (3162)	120 (3048)	7.2 (183)
8" (200)	ISVL081	16.00 (412)	12 (305)	8.8 (224)
8" (200)	ISVL082	28.2 (716)	24 (610)	8.8 (224)
8" (200)	ISVL083	40.2 (1021)	36 (914)	8.8 (224)
8" (200)	ISVL086	76.2 (1935)	72 (1829)	8.8 (224)
8" (200)	ISVL0810	124.5 (3162)	120 (3048)	8.8 (224)
10" (250)	ISVL101	16.00 (410)	12 (305)	10.7 (272)
10" (250)	ISVL102	28.2 (715)	24 (610)	10.7 (272)
10" (250)	ISVL103	40.2 (1019)	36 (914)	10.7 (272)
10" (250)	ISVL106	76.2 (1934)	72 (1829)	10.7 (272)
12" (315)	ISVL122	36.7 (932)	24 (610)	13.8 (350)
12" (315)	ISVL123	48.7 (1236)	36 (914)	13.8 (350)
12" (315)	ISVL126	84.7 (2151)	72 (1829)	13.8 (350)

Elbows



15° Elbow

For offsets or changes in the direction of the vent system.

Nominal Diameter	Part	Centerline Offset A	Effective Length B	Max O.D. C
2" (60)	ISEL0215	0.7 (18)	3.3 (84)	3.0 (76)
3" (80)	ISEL0315	0.7 (18)	3.1 (79)	3.8 (97)
4" (110)	ISEL0415	0.8 (20)	3.6 (91)	5.1 (129)
6" (160)	ISEL0615	1.0 (25)	5.1 (130)	7.2 (183)
10" (250)	ISEL1015	1.9 (48)	10.6 (269)	10.7 (272)
12" (315)	ISEL1215	4.4 (112)	18.7 (475)	13.8 (350)



8" Zero Radius 15° Elbow

For offsets or changes in the direction of the vent system.

Nominal Diameter	Part	Centerline Offset A	Effective Length B	Max O.D. C	Zeta Value
8" (160)	ISELS0815	1.18 (30)	5.55 (232)	9.1 (232)	.10



30° Elbow

For offsets or changes in the direction of the vent system.

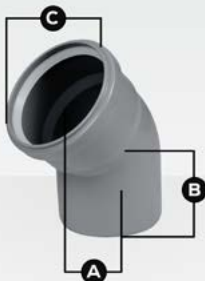
Nominal Diameter	Part	Centerline Offset A	Effective Length B	Max O.D. C
2" (60)	ISEL0230	1.5 (38)	3.6 (91)	3.0 (76)
3" (80)	ISEL0330	1.4 (36)	3.4 (86)	3.8 (97)
4" (110)	ISEL0430	1.7 (43)	4.1 (104)	5.1 (129)
6" (160)	ISEL0630	2.1 (53)	5.8 (147)	7.2 (183)
10" (250)	ISEL1030	4.3 (109)	12.6 (320)	10.7 (272)
12" (315)	ISEL1230	9.3 (21.4)	21.4 (544)	13.8 (350)



8" Zero Radius 30° Elbow

For offsets or changes in the direction of the vent system.

Nominal Diameter	Part	Centerline Offset A	Effective Length B	Max O.D. C	Zeta Value
8" (160)	ISELS0830	2.6 (67)	6.46 (164)	9.1 (232)	.20



45° Elbow

For offsets or changes in the direction of the vent system.

Nominal Diameter	Part	Centerline Offset A	Effective Length B	Max O.D. C
2" (60)	ISEL0245	2.2 (56)	3.8 (96)	3.0 (76)
3" (80)	ISEL0345	2.2 (56)	3.6 (92)	3.8 (97)
4" (110)	ISEL0445	1.5 (39)	5.2 (133)	5.1 (129)
6" (160)	ISEL0645	3.2 (81)	5.5 (138)	7.2 (183)
6" (160)	ISEL0645UV	3.2 (81)	5.5 (138)	7.2 (183)
10" (250)	ISEL1045	4.1 (105)	14.3 (364)	10.7 (272)
12" (315)	ISEL1245	5.5 (139)	23.6 (599)	13.8 (350)



8° Zero Radius 45° Elbow					
For offsets or changes in the direction of the vent system.					
Nominal Diameter	Part	Centerline Offset A	Effective Length B	Max O.D. C	Zeta Value
8" (200)	ISELS0845	4.3 (115)	7.22 (183)	9.1 (232)	.40



87° Elbow Long				
For offsets or changes in the direction of the vent system.				
Nominal Diameter	Part	Centerline Offset A	Effective Length B	Max O.D. C
2" (60)	ISELL0287	2.5 (63)	4.8 (121)	3.0 (76)
4" (110)	ISELL0487	6.5 (165)	4.4 (111)	5.1 (129)

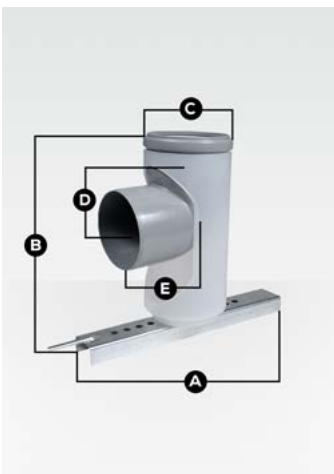


87° Elbow				
For offsets or changes in the direction of the vent system.				
Nominal Diameter	Part	Centerline Offset A	Effective Length B	Max O.D. C
3" (80)	ISEL0387	5.3 (133)	5.0 (127)	3.7 (97)
6" (160)	ISEL0687	3.4 (86)	6.3 (160)	7.2 (183)
6" (160)	ISEL0687UV	3.4 (86)	6.3 (160)	7.2 (183)
10" (250)	ISEL1087	11.3 (287)	15.7 (399)	10.7 (272)
12" (315)	ISEL1287	14.3 (364)	25.7 (653)	13.8 (350)



8° Zero Radius 87° Elbow					
For offsets or changes in the direction of the vent system.					
Nominal Diameter	Part	Centerline Offset A	Effective Length B	Max O.D. C	Zeta Value
8" (200)	ISELS0887	12.4 (316)	8.3 (212)	9.1 (232)	.96

Base Supports



Base Support						
Supports vertical sections of rigid (up to 164') vent lengths installed in chimneys and chases.						
Nominal Diameter	Part	Base Length A	Height B	Max O.D. C	Effective D	Effective E
2" (60)	ISBS0287	15.8 (400)	9.4 (238)	3.0 (76)	2.7 (69)	4.6 (118)
3" (80)	ISBS0387	15.8 (400)	10.6 (269)	3.8 (97)	3.4 (86)	4.9 (125)
4" (110)	ISBS0487	15.8 (400)	11.5 (291)	5.1 (129)	2.6 (65)	4.5 (115)
6" (160)	ISBS0687	15.8 (400)	13.2 (335)	7.2 (183)	3.7 (93)	6.1 (156)
8" (200)	ISBS0887	15.8 (400)	22.7 (577)	8.8 (224)	10.2 (260)	13.5 (342)
10" (250)	ISBS1087	27.6 (700)	29.5 (750)	10.7 (272)	12.1 (307)	15.1 (383)
12" (315)	ISBS1287	27.6 (700)	46.9 (1191)	13.8 (350)	15.7 (398)	24.9 (633)

Condensate Management



Test Ports

Installed immediately above the appliance, the test port allows plumbing and heating professionals to sample flue gases and ensure the appliance is operating at optimum efficiency.

Nominal Diameter	Part	Overall Length A	Effective Length B	Max O.D. C
2" (60)	ISTP02	7.0 (170)	4.3 (110)	3.0 (76)
3" (80)	ISTP03	7.0 (170)	4.5 (115)	3.8 (97)
4" (110)	ISTP04	12.4 (314)	9.8 (250)	5.1 (129)
6" (160)	ISTP06	12.7 (323)	9.8 (250)	7.2 (183)
8" (200)	ISTP08	15.9 (405)	12.0 (305)	8.8 (224)
10" (250)	ISTP10	15.9 (405)	12.0 (305)	10.7 (272)
12" (315)	ISTP12	36.7 (932)	24 (610)	13.8 (350)



Horizontal Drain Tee

Use to drain condensate from the vent system. Install in horizontal section closest to appliance. 1.26" (32mm) O.D. drain. Use with any InnoFlue® Siphon.

Nominal Diameter	Part	Drain O.D. A	Effective Length B	Max O.D. C	Overall Length D
2" (60)	ISHDT02	1.3 (32)	7.3 (186)	3 (76)	9.8 (250)
3" (80)	ISHDT03	1.3 (32)	7.3 (186)	3.7 (94)	9.8 (250)
4" (110)	ISHDT04	1.3 (32)	9.8 (250)	4.1 (129)	12.4 (315)
6" (160)	ISHDT06	1.3 (32)	9.8 (250)	7.2 (183)	12.4 (315)
8" (200)	ISHDT08	1.3 (32)	12.0 (305)	8.8 (224)	16.0 (405)
10" (250)	ISHDT10	1.3 (32)	12.0 (305)	10.7 (272)	16.0 (405)
12" (315)	ISHDT12	1.3 (32)	24.0 (1610)	13.8 (350)	36.7 (1932)



Horizontal Drain Fitting

Use with any InnoFlue® siphon. Placed at the end of the last Branch Tee in a cascade configuration, the Horizontal Drain Fitting removes condensate from the system and allows for inspections and system clean out. 32mm O.D. drain.

Nominal Diameter	Part	Drain O.D. A	Effective Length B	Max O.D. C	Overall Length D
4" (110)	ISHDF04	1.3 (32)	7.2 (182)	5.1 (129)	9.7
6" (160)	ISHDF06	1.3 (32)	8.1 (209)	7.2 (183)	12.1
8" (200)	ISHDF08	1.3 (32)	8.5 (215)	8.8 (224)	12.7
10" (250)	ISHDF10	1.3 (32)	13.8 (350)	10.7 (272)	18.0
12" (315)	ISHDF12	1.3 (32)	6.3 (160)	13.8 (350)	19.0



Tee

Use to change the direction of the vent system, combine multiple appliances, and capture condensates at base of long vertical runs.

Nominal Diameter	Part	Effective Length A	Effective Length B	Effective Length C
2" (60)	IST02	6.3 (160)	8.7 (221)	2.6 (66)
3" (80)	IST03	6.3 (160)	8.7 (221)	2.7 (69)
4" (110)	IST04	5.6 (142)	8.4 (214)	3.0 (76)
6" (160)	IST06	6.6 (168)	11.2 (284)	4.1 (105)
8" (200)	IST08	8.5 (215)	15.2 (387)	6.5 (165)
10" (250)	IST10	16.5 (419)	16.5 (420)	7.0 (179)
12" (315)	IST12	19.7 (500)	28.7 (728)	7.5 (189.5)



Tee Cap with Drain

Use with any InnoFlue® siphon to drain condensate from the vent system.

Nominal Diameter	Part	Overall Length A	Max O.D. B
2" (60)	ISTCD02	6.1 (155)	3.0 (75)
3" (80)	ISTCD03	5.3 (135)	3.7 (95)
4" (110)	ISTCD04	5.9 (150)	5.0 (126)
6" (160)	ISTCD06	6.9 (175)	7.2 (185)
8" (200)	ISTCD08	8.9 (225)	8.8 (224)
10" (250)	ISTCD10	8.9 (225)	10.7 (273)
12" (315)	ISTCD12	16.0 (407)	13.8 (351)



Tee Cap

Seals non-utilized tees and branch tees.

Nominal Diameter	Part	Max O.D. A
2" (60)	ISTC02	3.0 (76)
3" (80)	ISTC03	3.8 (97)
4" (110)	ISTC04	5.1 (129)
6" (160)	ISTC06	7.3 (185)
8" (200)	ISTC08	8.8 (224)
10" (250)	ISTC10	10.7 (272)
12" (315)	ISTC12	13.8 (350)



Universal Ball Valve Siphon

Attaches to any InnoFlue® drain. Allows condensates to flow while unique ball valve assures combustion gases remain contained at higher temperatures. Comes with and can be installed with a barbed or compression fitting. See configuration options below.

Part	Overall Height A	Overall Length B	Overall Width C
IASJBVS	6.5	4.5	1.9



Compression



Barbed

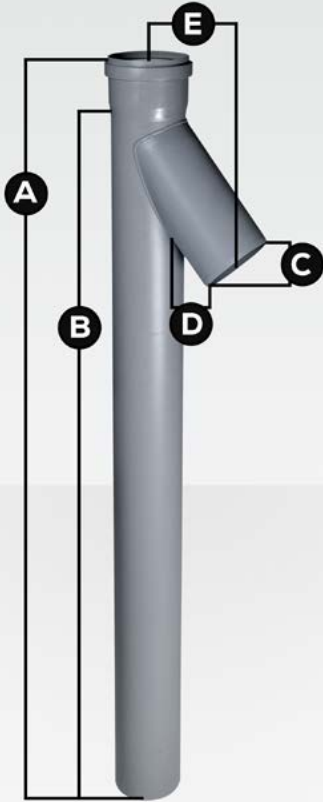


Directional

Common Venting

Branch Tees

42° Y allows for the cascading or common venting of appliances. Other size configuration available upon request.



Nominal Diameter	Part	Overall Length A	Effective Length B	Feeder Diameter C	Feeder Length D	Offset E
3" (80)	ISBT030236	40.4 (1026)	36 (914)	2" (60)	6 (152)	6.5 (165)
4" (110)	ISBT040236	38.8 (986)	36 (914)	2" (60)	6 (152)	7.3 (185)
4" (110)	ISBT040336	38.8 (986)	36 (914)	3" (80)	6 (152)	7.5 (191)
5" (125)	ISBT050236	39.1 (993)	36 (914)	2" (60)	6 (152)	7.6 (193)
5" (125)	ISBT050336	39.1 (993)	36 (914)	3" (80)	6 (152)	7.9 (201)
5" (125)	ISBT050436	39.1 (993)	36 (914)	4" (110)	6 (152)	8.3 (211)
6" (160)	ISBT060236	40 (1016)	36 (914)	2" (60)	6 (152)	8.3 (211)
6" (160)	ISBT060336	40 (1016)	36 (914)	3" (80)	6 (152)	8.6 (218)
6" (160)	ISBT060436	40 (1016)	36 (914)	4" (110)	6 (152)	9 (229)
6" (160)	ISBT060536	40 (1016)	36 (914)	5" (125)	6 (152)	9.2 (234)
8" (200)	ISBT080236	40 (1016)	36 (914)	2" (60)	6 (152)	9.1 (231)
8" (200)	ISBT080336	40 (1016)	36 (914)	3" (80)	6 (152)	9.4 (239)
8" (200)	ISBT080436	40 (1016)	36 (914)	4" (110)	6 (152)	9.8 (249)
8" (200)	ISBT080536	40 (1016)	36 (914)	5" (125)	6 (152)	10 (254)
8" (200)	ISBT080636	40 (1016)	36 (914)	6" (160)	6 (152)	10.6 (269)
10" (250)	ISBT100236	40 (1016)	36 (914)	2" (60)	6 (152)	10.1 (257)
10" (250)	ISBT100336	40 (1016)	36 (914)	3" (80)	6 (152)	10.3 (262)
10" (250)	ISBT100436	40 (1016)	36 (914)	4" (110)	6 (152)	10.8 (274)
10" (250)	ISBT100536	40 (1016)	36 (914)	5" (125)	6 (152)	11 (279)
10" (250)	ISBT100636	40 (1016)	36 (914)	6" (160)	6 (152)	11.7 (297)
10" (250)	ISBT100836	40 (1016)	36 (914)	8" (200)	6 (152)	12.1 (307)
12" (315)	ISBT120236	49 (1245)	36 (914)	2" (60)	6 (152)	11.1 (282)
12" (315)	ISBT120336	49 (1245)	36 (914)	3" (80)	6 (152)	11.3 (287)
12" (315)	ISBT120436	49 (1245)	36 (914)	4" (110)	6 (152)	11.7 (297)
12" (315)	ISBT120536	49 (1245)	36 (914)	5" (125)	6 (152)	11.8 (300)
12" (315)	ISBT120636	49 (1245)	36 (914)	6" (160)	6 (152)	12.2 (310)
12" (315)	ISBT120836	49 (1245)	36 (914)	8" (200)	6 (152)	12.6 (320)
12" (315)	ISBT121036	49 (1245)	36 (914)	10" (250)	6 (152)	13.1 (333)

Available

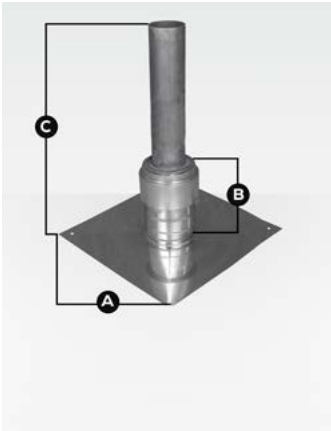
Custom Branch Tees

Branch Tees can be made to order using a variety of diameter manifolds and feeders.

Terminations



Chimney Cover PPs-UV			
This termination incorporates a combustion air intake and flue gas termination in a single assembly. Cover seals top of the chimney or chase. Use with End Pipe or Flex End Pipe. End Pipes sold separately.			
Nominal Diameter	Part	Length A	Height B
2" (60)	ISCP02	15.8 (400)	9.6 (245)
3" (80)	ISCP03	15.8 (400)	9.6 (245)
4" (110)	ISCP04	15.8 (400)	9.6 (245)



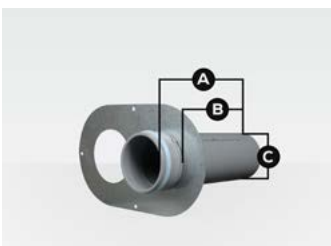
Chimney Cover SS W/PPs-UV End Pipe				
Stainless steel termination with polypropylene end pipe incorporates a combustion air intake and flue gas termination in a single assembly.				
Nominal Diameter	Part	Length A	Height B	Height C
3" (80)	ISCM03	16.5 (419.1)	7.9 (200)	13.75 (349.3)
4" (110)	ISCM04	16.5 (419.1)	7.9 (200)	13.75 (349.3)
6"	ISCM06	15.8	15.9	Varies
8"	ISCM08	19.7	19.7	*
10"	ISCM10	20	20	*
12"	ISCM12	20	20	*



Low Profile Wall Termination (2' and 3')			
Low Profile Wall Termination incorporates combustion air intake and exhaust into a single aesthetically pleasing termination. Part is paintable to match exterior of structure. Comes with interior wall plate and bird screen. Exhaust can be extended or re-directed with elbows or vent lengths. Vent lengths and elbows sold separately.			
Nominal Diameter	Part	Overall Width A	Overall Height B
2" (60)	ISLPT0202	13 (330)	9.1 (231)
3" (80)	ISLPT0303	13 (330)	9.1 (231)



Low Profile Wall Termination (4')			
Low Profile Wall Termination incorporates combustion air intake and exhaust into a single aesthetically pleasing termination. Part is paintable to match exterior of structure. Comes with interior wall plate and bird screen. Exhaust can be extended or re-directed with elbows or vent lengths. Vent lengths and elbows sold separately.			
Nominal Diameter	Part	Overall Width A	Overall Height B
4" (60)	ISLPT0404	23 (584)	15 (305)



PPs to PVC Termination Kit				
Adapts PPs to PVC Twin Pipe Termination. Comes with replacement wall plate and termination adaptor.				
Nominal Diameter	Part	Overall Length A	Effective Length B	End O.D. C
6" (160)	ISLTK06	14.4 (366)	11.0 (280)	6.5 (166)

NOTE: Roof Flashings Require a 10 Day Lead Time



Pitched Roof Flashing

With field supplied sealant, stainless steel flashing creates water-tight roof penetration when using InnoFlue commercial on a pitched roof.

Nominal Diameter	Part	Length A	Width B	Height C
6"	IAPRF06	18"	*	*
8"	IAPRF08	20"	*	*
10"	IAPRF10	22"	*	*
12"	IAPRF12	24"	*	*

*Dimensions vary based on pitch.

Indicate required pitch at time of order



Flat Roof Flashing

With field supplied sealant, stainless steel flashing creates water-tight roof penetration when using InnoFlue commercial on a flat roof.

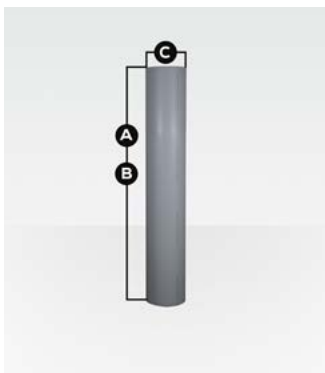
Nominal Diameter	Part	Length A	Width B	Height C
6"	IAFRF06	18"	18"	13.3"
8"	IAFRF08	20"	20"	13.3"
10"	IAFRF10	22"	22"	13.8"
12"	IAFRF12	24"	24"	14.3"



End Pipe PPs-UV

Made from black U.V. stabilized polypropylene. Use where termination is exposed to excessive sunlight.

Nominal Diameter	Part	Overall Length A	Max O.D. B
2" (60)	ISEP02	19.7 (500)	2.4 (60)
2" (60)	ISEP0239	39.4 (1000)	2.4 (60)
3" (80)	ISEP03	19.7 (500)	3.2 (80)
3" (80)	ISEP0339	39.4 (1000)	3.2 (80)
4" (110)	ISEP04	19.7 (500)	4.3 (110)
4" (110)	ISEP0439	39.4 (1000)	4.3 (110)



End Pipe PPs

PPs End Pipes allow for termination of the vent system through the wall or roof. (6' is UV black)

Nominal Diameter	Part	Overall Length A	Effective Length B	Max O.D. C
6" (160)	ISEP06	20 (508)	20 (508)	6 (160)
6" (160)	ISEP0639	39 (991)	39 (991)	6 (160)
8" (200)	ISEP086	70 (1778)	70 (1778)	8 (200)
10" (250)	ISEP106	70 (1778)	70 (1778)	10 (250)
12" (315)	ISEP126	72 (1829)	72 (1829)	12 (315)




Universal B-Vent Cap

Allows for multiple flue configurations. Utilize existing B-Vent as a chase. Clean, professional and aesthetically pleasing. Installs quickly and easily.

Part	Length	Height	Width
IAUBVC	10"	10"	10"



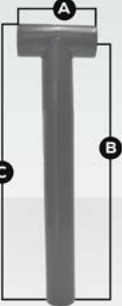
One Part Multiple Configurations



Termination Tee

Made from black U.V. stabilized polypropylene. Use where termination is exposed to excessive sunlight, wind or prone to freeze ups.

Nominal Diameter	Part	Overall Width A	Effective Length B	Max Length C
2" (60)	ISTT0220	7.6 (193)	27.6	28.8
3" (80)	ISTT0320	7.6 (193)	27.6	29.2
4" (110)	ISTT0420	7.6 (193)	27.6	29.8



Termination Tee (long)

Made from polypropylene. Use where termination is exposed to wind or prone to freeze ups.

Nominal Diameter	Part	Length A	Width B	Height C
6"	ISTT0620	9.0	27.9	31.1
8"	ISTT0820	16.0	28.1	32.0
10"	ISTT1020	20.5	27.3	32.2
12"	ISTT1220	21.9	35.3	41.5



Velocity Cone

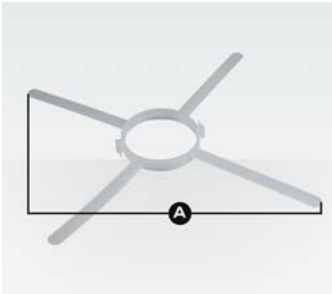
Made to order. Call for more information.

Nominal Diameter	Part
3" to 2"	ISVC0302
4" to 3"	ISVC0403
6" to 4"	ISVC0604
8" to 6"	ISVC0806
10" to 6"	ISVC1006
10" to 8"	ISVC1008
12" to 10"	ISVC1210

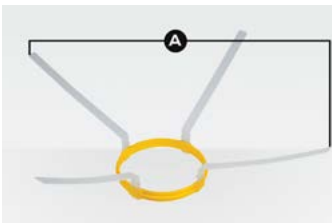
Accessories



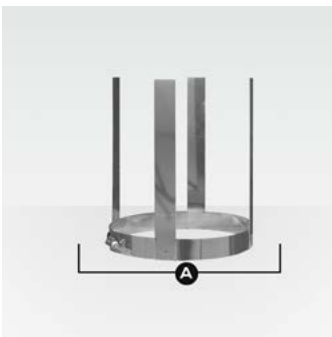
Bird Screen PPs-UV	
Fits inside InnoFlue® SW end pipes at terminations.	
Nominal Diameter	Part
2" (60)	IASPP02
3" (80)	IASPP03
4" (110)	IASPP04
6" (160)	IASPP06



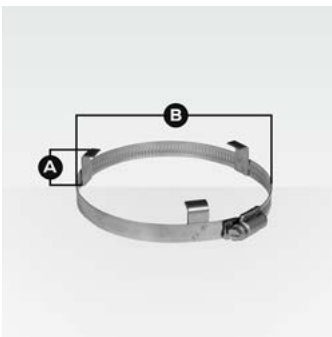
2", 3", 4" and 5" Spacers			
Self positioning spacers center InnoFlue® SW or Flex in a chase/chimney/B-vent.			
Nominal Diameter	Part	Max Width A	Min Width
2" (60)	IASP02	23.5 (596)	3.3 (85)
3" (80)	IASP03	22.8 (580)	4.2 (106)
4" (110)	IASP04	23.9 (606)	5.4 (138)



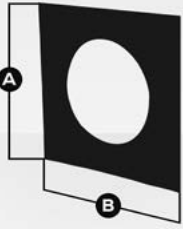
6" Spacers			
Self positioning spacers centers InnoFlue® SW in a chase/chimney/B-vent.			
Nominal Diameter	Part	Max Width A	Min Width
6" (160)	IASP06	25.0 (635)	7 (186)



8", 10" and 12" Spacers			
Self positioning spacers centers InnoFlue® SW in a chase/chimney/B-vent.			
Nominal Diameter	Part	Max Width A*	Min Width
8" (200)	IASP08	27.6 (700)	9 (228)
10" (250)	IASP10	29.5 (750)	11 (276)
12" (315)	IASP12	32.1 (815)	13 (341)
		* When bent into place	



Flue Clamp			
Secures ISAGL appliance adaptors to appliance flue collar.			
Nominal Diameter	Part	Height A	Max. I.D. B
2" (60)	IAFC02	1.0 (26)	3.0 (77)
3" (80)	IAFC03	1.0 (26)	4.3 (110)
4" (110)	IAFC04	1.0 (26)	5.0 (127)
6" (160)	IAFC06	1.0 (26)	8.3 (211)



Wall Plate Square (Plastic)

Used to improve aesthetics and reduce drafts at chimney openings or wall penetrations.

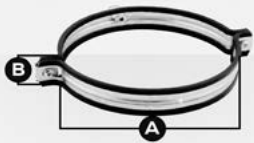
Nominal Diameter	Part	Length A	Length B
6" (160)	IAWP06BP	9" (228)	9" (228)
8" (200)	IAWPP08	15.8" (401)	15.8" (401)
10" (250)	IAWPP10	16"	16"
12" (315)	IAWPP12	16"	16"



Connector Double Hose Clamp

Connection clamps provide mechanical connection as required by O.E.M.

Nominal Diameter	Part
6" (160)	IADHC0606
8" (200)	IADHC0808
10" (250)	IADHC1010
12" (315)	IADHC1212



Support Clamp

Used as vertical or horizontal support. Space 78" in vertical and 39" in horizontal installations. **Uses 3/8" threaded rod.**

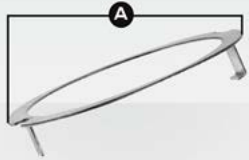
Nominal Diameter	Part	Overall Length A	Height B
2" (60)	IASCM02	3 (76.2)	1.1(28)
3" (80)	IASCM03	3.8 (96.5)	1.1 (28)
4" (110)	IASCM04	5.3 (134.6)	1.1 (28)
6" (160)	IASCM06	6.8 (172.7)	1.1 (28)
8" (200)	IASCM08	8.4 (213.3)	1.1 (28)
10" (250)	IASCM10	10.3 (261.6)	1.1 (28)
12" (315)	IASCM12	12.8 (325.1)	1.1 (28)



EPDM Gaskets

Standard gasket for 6" through 12" diameter InnoFlue® SW. Inserted into the female end of each part, the gaskets keep flue gases and condensates within the vent system.


Nominal Diameter	Part
2" (60)	ISGE02
3" (80)	ISGE03
4" (110)	ISGE04
6" (160)	ISGE06
8" (200)	ISGE08
10" (250)	ISGE10
12" (315)	ISGE12



Connector Ring

Provides reinforcement at joints to support loads of up to 99 lbs (45Kg). 6' through 12' connector rings are available but not required per UL 1738 and ULC-5636.


Nominal Diameter	Part	O.D. A
2" (60)	IANS02	3.2 (81)
3" (80)	IANS03	4.1 (103)
4" (110)	IANS04	5.3 (134)
6" (160)	IANS06	7.5 (191)
8" (200)	IANS08	9.4 (239)
10" (250)	IANS10	10.7 (271)
12" (315)	IANS12	14.9 (378.5)



B-Vent Gasket

Rubber gasket for converting existing B-Vent into a combustion air chase.

Diameter	Part	Flange I.D. A	Max O.D. B	Groove Thickness C
2" (60)	IACGE02	2.8 (72)	3.5 (88)	0.1 (2.5)
3" (80)	IACGE03	3.6 (92)	4.3 (108)	0.1 (2.5)
4" (110)	IACGE04	4.8 (122)	5.4 (137)	0.1 (2.5)



Centrocerin

A water based lubricant used to ease the assembly of InnoFlue® SW & Flex. Sparingly applied to the gasket or male end.

Package Size	Part
50 ml	IACE50



Centrotherm

solutions beyond

<http://centrotherm.us.com> • 518.434.3400 • info@centrotherm.us.com