

InnoFlue® SW, Flex & Concentric

Single Wall Rigid, Flexible & Concentric Polypropylene

Category II & IV Special Gas Vent
Gas Vent BH, Class II

Part # IFSWFC

InnoFlue® is proud to have earned the following listings:

ULC-S636
CE EN-14471



PRODUCT CATALOG & DIMENSIONAL DATA

FALL 2010

CENTROTHERM
Eco Systems, LLC
418 South Pearl Street
Albany, New York 12202
Tel. 518 434-3400
Fax 518 618-3166
info@centrotherm.us.com

www.centrotherm.us.com



TABLE OF CONTENTS

TYPICAL INNOFLUE® SW & FLEX INSTALLATIONS..... 4

WHY INNOFLUE® SW & FLEX 6

SINGLE WALL

INNOFLUE® SINGLE WALL (SW)

Straight Vent Lengths 7

Elbows

30° Elbow 8

45° Elbow 8

45° Elbow Long 8

87° Elbow 9

87° Elbow Long 9

Base Support 9

Condensate Management

Horizontal Drain Tee 9

Tee 10

Tee Cap 10

Tee Cap w/Drain 10

Siphon - Long John w/Flex Hose 10

Adaptors

Test Port 11

Centric Increaser 11

Eccentric Increaser 11

Centric Reducer 12

Appliance Adaptor w/ Gasket PVC to PPs 12

Appliance Adaptor PVC to PPs 12

Appliance Adaptor w/ Condensate Drain SS to PPs 12

Vibration Isolation Boot w/Clamps 13

Twin Pipe to Concentric Adaptor 13

Concentric to Twin Pipe Adaptor 13

Terminations

Chimney Cover PPs-UV 14

Chimney Cover SS W/PPs-UV End Pipe 14

Chimney Cover SS W/SS End Pipe 14

End Pipe PPs-UV 15

End Pipe SS 15

Termination Tee 15

Roof Termination w/Collar SS 15

Termination Piece W/ SS End Pipe 16

Cascade Components

Branch Tee w/4" Feeder 16

Branch Tee w/2 x 4" Feeders 16

Branch Tee w/4 x 4" Feeders 17

Horizontal Drain Fitting 17

Non-Return Valve 17

Spacers	
2" Spacer	18
3" & 4" Spacers	18
5" & 6" Spacers	18
8", 10" & 12" Spacers.....	18
Flashings	
Wall Plate Square (Plastic)	18
Wall Plate Square (Stainless Steel)	19
Pitched Roof Flashing SS	19
Flat Roof Flashing SS.....	19
Accessories	
Support Clamp.....	19
Bird Screen PPs-UV.....	20
Bird Screen SS.....	20
EPDM Gaskets	20
Connector.....	20
Air Intake	20
Centrocerin	21

FLEX

INNOFLUE® FLEX	
2" Flexible Vent Lengths.....	22
3" and 4" Flexible Vent Lengths	22
Couplers	
2" Flex End Pipe.....	22
3" and 4" Flex End Pipe	23
SW to Flex Coupler	23
Flex to SW Coupler	23
Flex to Flex Coupler.....	23
2" Flex Installation Tool.....	24
3" and 4" Flex Installation Tool	24
Chimney Kits	
Chimney Kits.....	25

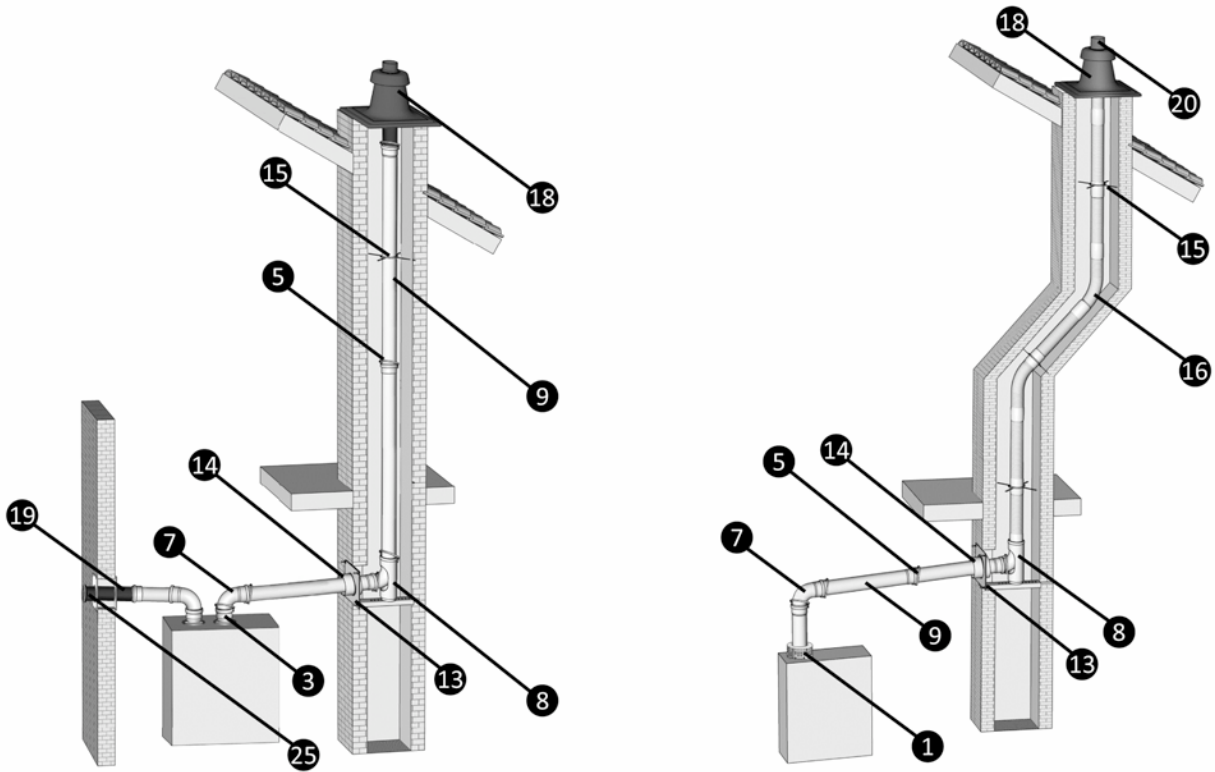
CONCENTRIC

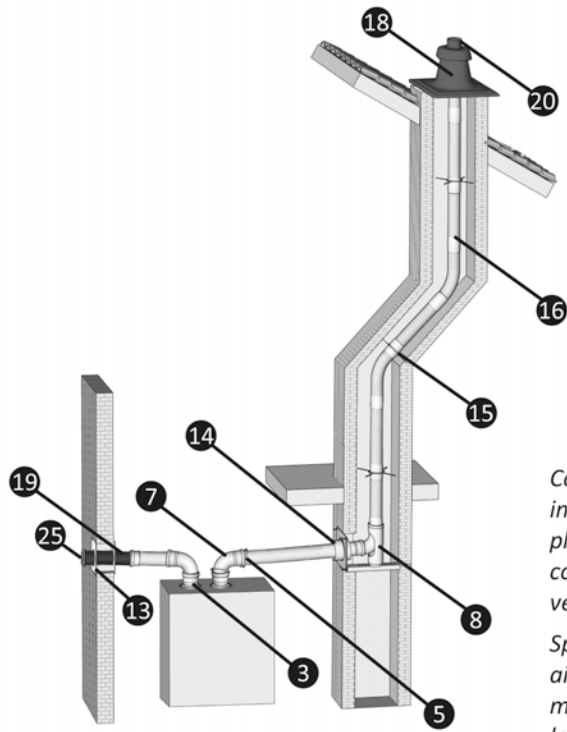
TYPICAL INNOFLUE® CONCENTRIC INSTALLATIONS	26
WHY INNOFLUE® CONCENTRIC.....	27
INNOFLUE® CONCENTRIC	
Concentric Vent Lengths	28
Elbows	
Concentric 45° Elbow	28
Concentric 87° Elbow	28
Adaptors	
Centric Increaser	29
Concentric Test Port.....	29
Concentric Horizontal Drain Tee	29
Terminations	
Concentric Wall Termination SS.....	30
Concentric Roof Termination	30
Wall Plate Round (Plastic)	30
Wall Plate Round (Rubber).....	30
ABOUT CENTROTHERM.....	31

TYPICAL INNOFLUE® SW & FLEX INSTALLATIONS

- 1 Air Intake
- 2 Appliance Adaptor PVC to PPs W/Gasket
- 3 Appliance Adaptor PVC to PPs
- 4 Concentric to Twin Pipe Adaptor
- 5 Connector
- 6 45° Elbow
- 7 87° Elbow
- 8 Base Support
- 9 Vent Length
- 10 Branch Tee
- 11 Horizontal Drain Fitting
- 12 Siphon
- 13 Wall Plate

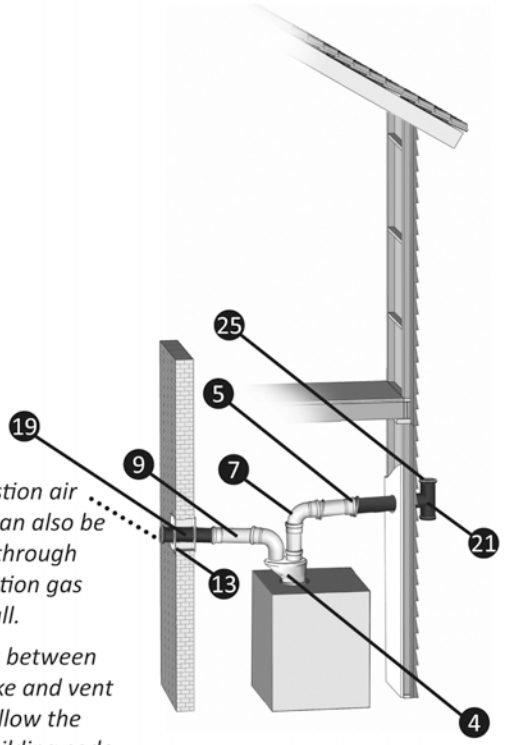
- 14 Wall Thimble
- 15 Spacer
- 16 Flexible Vent Length
- 17 Chimney Cover SS W/PPs-UV End Pipe
- 18 Chimney Cover PPs-UV
- 19 End Pipe PPs-UV
- 20 Flex End Pipe
- 21 Termination Tee PPs-UV
- 22 Twin Pipe to Concentric Adaptor
- 23 Concentric Wall Termination
- 24 Concentric Roof Termination
- 25 Bird Screen PPs-UV



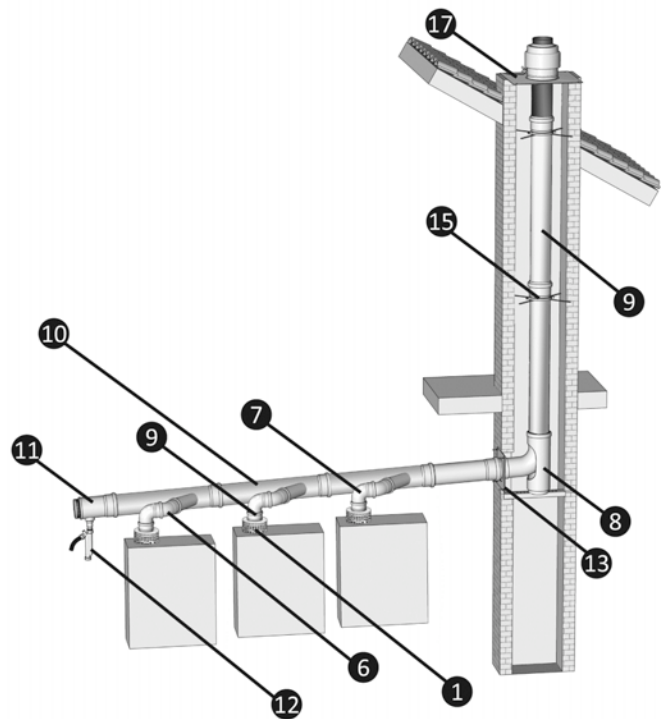
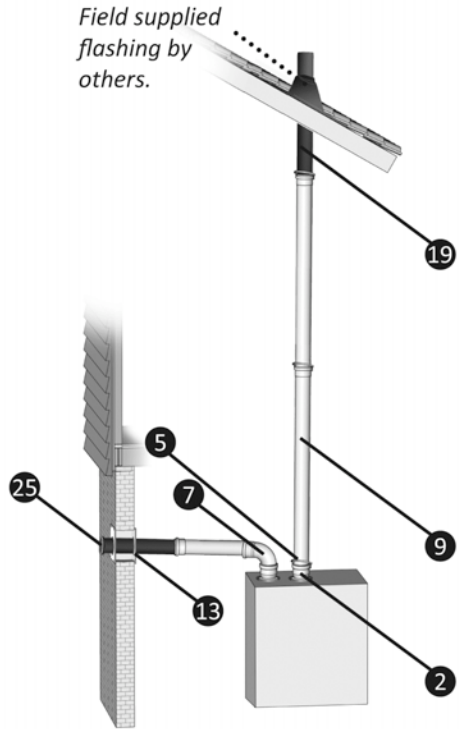


Combustion air intake can also be placed through combustion gas vent wall.

Spacing between air intake and vent must follow the local building code.



Field supplied flashing by others.



WHY INNOFLUE® SW AND FLEX

INNOFLUE® IS SPECIFICALLY ENGINEERED FOR FLUE GAS VENTING

Benefit:

- Application specific marketing and technical information
- Application specific custom parts
- Centrotherm's full expertise and industry support

10 YEAR LIMITED WARRANTY

Benefit:

- InnoFlue® vent systems are supported by an industry leading 10 year limited manufacturer's warranty

POLYPROPYLENE CONSTRUCTION

Benefit:

- Superior corrosion resistance in gas and oil environments
- 100% Recyclable
- CE certified for sustained flue gases up to 248°F (120°C).
- ULC-S636 certified for sustained flue gases up to 230°F (110°C).
- Zero clearance to combustibles

INTEGRATED GASKET SYSTEM

Benefit:

- No adhesives required
- Allows for post installation adjustments
- Rapid installation
- Reduced labor cost
- No special tools required
- Immediate use of appliance upon installation

RAPID INSTALLATION

Benefit:

- Reduced labor costs
- No special tools required

LEED COMPLIANCE

Benefit:

- No solvent based PVC or CPVC adhesives per IE credit 4.1

APPLICATION

InnoFlue® SW and Flex is for use with natural gas and propane Category II & IV appliances or Canadian Type BH Gas Vent Systems.

InnoFlue® SW and Flex can also be used with oil fired condensing appliances.

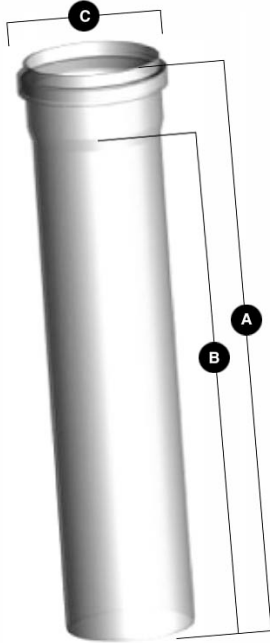
InnoFlue® SW and Flex is certified for operating flue gas temperature of 248°F (120°C) in the United States and 230° (110°C) in Canada per ULC-S636.

CONFIGURATIONS

InnoFlue® SW including Flex is a highly engineered vent system. The systems can be configured for use on a single appliance in standard and direct vent layouts with roof, chimney and wall terminations. InnoFlue® can also be configured in positive and negative pressure (natural draft) cascade configurations.

Cascading Systems are custom designed and require appliance manufacturer support.

INNOFLUE® SINGLE WALL (SW)

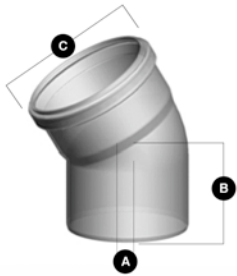


Straight Vent Lengths

Gasketed rigid polypropylene vent lengths with dedicated male and female ends. Male ends can be field cut to length.

Nominal Diameter	Part #	Overall Length "A"	Effective Length "B"	Max O.D. "C"
2" (60)	ISVL021	14.5 (368)	12 (305)	3.0 (75)
2" (60)	ISVL022	26.5 (673)	24 (610)	3.0 (75)
2" (60)	ISVL023	38.5 (978)	36 (914)	3.0 (75)
2" (60)	ISVL026	74.5 (1892)	72 (1829)	3.0 (75)
3" (80)	ISVL031	14.5 (368)	12 (305)	3.7 (95)
3" (80)	ISVL032	26.5 (673)	24 (610)	3.7 (95)
3" (80)	ISVL033	38.5 (978)	36 (914)	3.7 (95)
3" (80)	ISVL036	74.5 (1892)	72 (1829)	3.7 (95)
4" (110)	ISVL041	14.5 (368)	12 (305)	5.1 (129)
4" (110)	ISVL042	26.5 (673)	24 (610)	5.1 (129)
4" (110)	ISVL043	38.5 (978)	36 (914)	5.1 (129)
4" (110)	ISVL046	74.5 (1892)	72 (1829)	5.1 (129)
5" (125)	ISVL051	14.5 (368)	12 (305)	5.8 (146)
5" (125)	ISVL052	26.5 (673)	24 (610)	5.8 (146)
5" (125)	ISVL053	38.5 (978)	36 (914)	5.8 (146)
5" (125)	ISVL056	74.5 (1892)	72 (1829)	5.8 (146)
6" (160)	ISVL061	14.5 (368)	12 (305)	7.8 (185)
6" (160)	ISVL062	26.5 (673)	24 (610)	7.8 (185)
6" (160)	ISVL063	38.5 (978)	36 (914)	7.8 (185)
6" (160)	ISVL066	74.5 (1892)	72 (1829)	7.8 (185)
8" (200)	ISVL081	16.2 (412)	12 (305)	8.8 (224)
8" (200)	ISVL082	28.2 (716)	24 (610)	8.8 (224)
8" (200)	ISVL083	40.2 (1021)	36 (914)	8.8 (224)
8" (200)	ISVL086	76.2 (1935)	72 (1829)	8.8 (224)
10" (250)	ISVL101	16.1 (410)	12 (305)	10.7 (273)
10" (250)	ISVL102	28.1 (715)	24 (610)	10.7 (273)
10" (250)	ISVL103	40.1 (1019)	36 (914)	10.7 (273)
10" (250)	ISVL106	76.1 (1934)	72 (1829)	10.7 (273)
12" (315)	ISVL122	36.7 (932)	24 (610)	13.8 (351)
12" (315)	ISVL123	48.7 (1236)	36 (914)	13.8 (351)
12" (315)	ISVL126	84.7 (2151)	72 (1829)	13.8 (351)

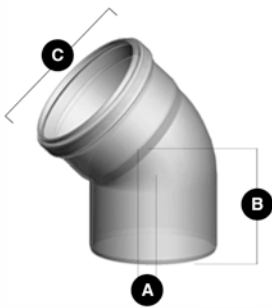
Elbows



30° Elbow

For offsets or changes in the direction of the vent system for appliances in a cascade configuration.

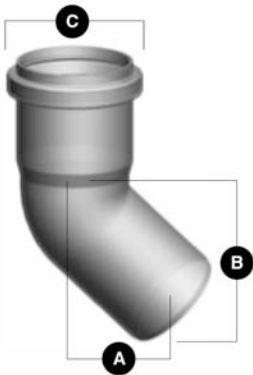
Nominal Diameter	Part #	Centerline Offset "A"	Effective Length "B"	Max O.D. "C"
4" (110)	ISEL0430	.4 (11)	3.8 (96)	5.0 (127)



45° Elbow

For offsets or changes in the direction of the vent system.

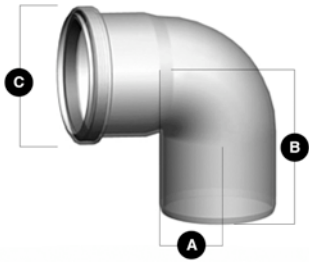
Nominal Diameter	Part #	Centerline Offset "A"	Effective Length "B"	Max O.D. "C"
3" (80)	ISEL0345	2.2 (56)	3.6 (92)	3.7 (95)
4" (110)	ISEL0445	2.2 (63)	4.1 (105)	5.0 (127)
5" (125)	ISEL0545	2.7 (68)	4.8 (122)	5.6 (142)
6" (160)	ISEL0645	3.2 (81)	5.5 (138)	7.1 (181)
8" (200)	ISEL0845	3.8 (96)	13.1 (332)	8.8 (224)
10" (250)	ISEL1045	4.1 (105)	14.3 (364)	10.7 (273)
12" (315)	ISEL1245	5.5 (139)	23.6 (599)	13.8 (351)



45° Elbow Long

Longer 45° Elbow allows for greater offsets when changing direction or avoiding obstructions.

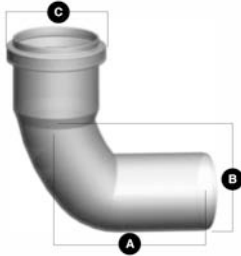
Nominal Diameter	Part #	Centerline Offset "A"	Effective Length "B"	Max O.D. "C"
2" (60)	ISELL0245	2.2 (56)	3.8 (96)	3.0 (76)
3" (80)	ISELL0345	2.9 (73)	4.6 (117)	3.7 (95)



87° Elbow

For offsets or changes in the direction of the vent system.

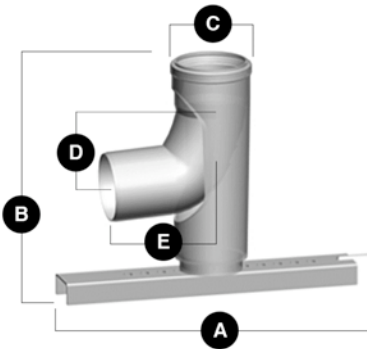
Nominal Diameter	Part #	Centerline Offset "A"	Effective Length "B"	Max O.D. "C"
3" (80)	ISEL0387	1.9 (47)	3.9 (100)	3.7 (95)
4" (110)	ISEL0487	2.4 (60)	4.6 (118)	4.9 (125)
5" (125)	ISEL0587	2.7 (68)	5.5 (139)	5.6 (142)
6" (160)	ISEL0687	3.4 (86)	6.3 (160)	7.1 (181)
8" (200)	ISEL0887	9.5 (242)	14.0 (355)	8.8 (224)
10" (250)	ISEL1087	11.3 (287)	15.7 (399)	10.7 (273)
12" (315)	ISEL1287	14.3 (364)	25.7 (653)	13.8 (351)



87° Elbow Long

Longer 87° Elbow allows for greater offsets when changing direction or avoiding obstructions.

Nominal Diameter	Part #	Centerline Offset "A"	Effective Length "B"	Max O.D. "C"
2" (60)	ISELL0287	2.5 (63)	4.8 (121)	3.0 (76)
3" (80)	ISELL0387	5.3 (133)	5.1 (129)	3.7 (95)

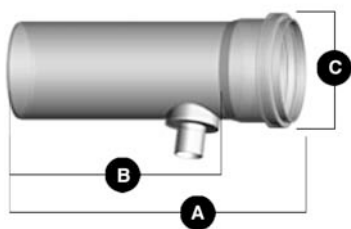


Base Support

Supports vertical sections of rigid and flexible vent lengths installed in chimneys and chases.

Nominal Diameter	Part #	Base Length "A"	Height "B"	Max O.D. "C"	Effective "D"	Effective "E"
2" (60)	ISBS0287	15.8 (400)	9.4 (238)	3.0 (76)	2.7 (69)	4.6 (118)
3" (80)	ISBS0387	15.8 (400)	10.6 (269)	3.7 (95)	3.4 (86)	4.9 (125)
4" (110)	ISBS0487	15.8 (400)	11.5 (291)	4.9 (125)	2.6 (65)	4.5 (115)
5" (125)	ISBS0587	15.8 (400)	13.4 (341)	5.6 (142)	2.9 (74)	5.4 (136)
6" (160)	ISBS0687	15.8 (400)	13.2 (335)	7.1 (181)	3.7 (93)	6.1 (156)
8" (200)	ISBS0887	15.8 (400)	22.7 (577)	8.8 (224)	10.2 (260)	13.5 (342)
10" (250)	ISBS1087	27.6 (700)	29.5 (750)	10.7 (273)	12.1 (307)	15.1 (383)
12" (315)	ISBS1287	27.6 (700)	46.9 (1191)	13.8 (351)	15.7 (398)	24.9 (633)

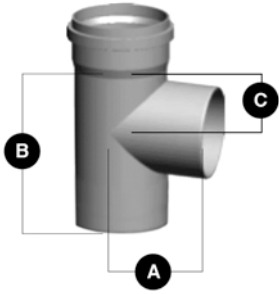
Condensate Management



Horizontal Drain Tee

Use to drain condensate from the vent system. Install in horizontal section closest to appliance.

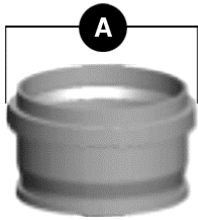
Nominal Diameter	Part #	Overall Length "A"	Effective Length "B"	Max O.D. "C"
2" (60)	ISHDT02	9.8 (250)	7.3 (186)	3.0 (76)
3" (80)	ISHDT03	9.8 (250)	7.3 (186)	3.7 (94)
4" (110)	ISHDT04	12.4 (315)	9.8 (250)	4.9 (125)
5" (125)	ISHDT05	12.4 (315)	9.8 (250)	5.8 (146)
6" (160)	ISHDT06	12.4 (315)	9.8 (250)	7.3 (185)
8" (200)	ISHDT08	16.0 (405)	12.0 (305)	8.8 (224)
10" (250)	ISHDT10	16.0 (405)	12.0 (305)	10.7 (273)
12" (315)	ISHDT12	36.7 (1932)	24.0 (1610)	13.8 (351)



Tee

Use to change the direction of the vent system.

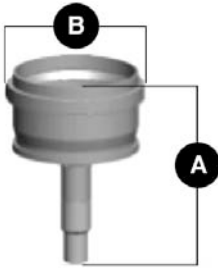
Nominal Diameter	Part #	Effective Length "A"	Effective Length "B"	Effective Length "C"
4" (110)	IST04	5.6 (142)	8.4 (214)	3.0 (76)
5" (125)	IST05	5.9 (149)	10.1 (256)	3.7 (94)
6" (160)	IST06	6.6 (168)	11.2 (284)	4.1 (105)
8" (200)	IST08	8.5 (215)	15.2 (387)	6.5 (165)
10" (250)	IST10		16.5 (420)	7.0 (179)
12" (315)	IST12	19.7 (500)	28.7 (728)	7.5 (189.5)



Tee Cap

Seals non-utilized tees and branch tees.

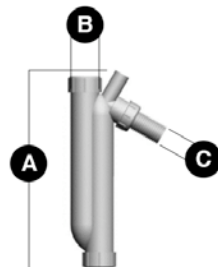
Nominal Diameter	Part #	Max O.D. "A"
4" (110)	ISTC04	4.9 (125)
5" (125)	ISTC05	5.8 (146)
6" (160)	ISTC06	7.3 (185)
8" (200)	ISTC08	8.8 (224)
10" (250)	ISTC10	10.7 (273)
12" (315)	ISTC12	13.8 (351)



Tee Cap w/Drain

Use to drain condensate from the vent system.

Nominal Diameter	Part #	Overall Length "A"	Max O.D. "B"
4" (110)	ISTCD04	5.9 (150)	5.0 (126)
5" (125)	ISTCD05	6.4 (163)	5.8 (146)
6" (160)	ISTCD06	6.9 (175)	7.3 (185)
8" (200)	ISTCD08	8.9 (225)	8.8 (224)
10" (250)	ISTCD10	8.9 (225)	10.7 (273)
12" (315)	ISTCD12	16.0 (407)	13.8 (351)

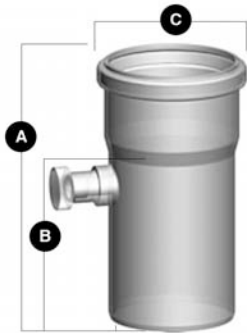


Siphon - Long John w/ Flex Hose

Attaches to Horizontal Drain Tee, or Horizontal Drain Fitting allowing condensate to escape system while containing combustion gases.

Nominal Diameter	Part #	Overall Length "A"	I.D. "B"	O.D. "C"
1.3 (32)	IALJS	9.7 (247)	1.3 (32)	1.3 (32)

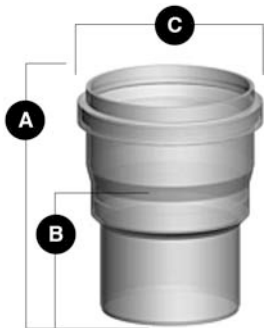
Adaptors



Test Port

Installed immediately above the appliance, the test port allows maintenance professionals to sample flue gases and ensure the appliance is operating at optimum efficiency.

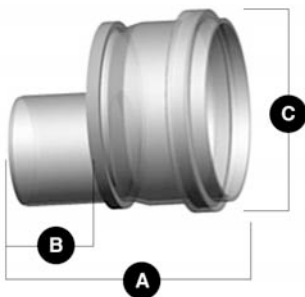
Nominal Diameter	Part #	Overall Length "A"	Effective Length "B"	Max O.D. "C"
2" (60)	ISTP02	7.0 (170)	4.3 (110)	3.0 (75)
3" (80)	ISTP03	7.0 (170)	4.5 (115)	3.7 (95)
4" (110)	ISTP04	12.4 (314)	9.8 (250)	5.1 (128)
5" (125)	ISTP05	12.6 (320)	9.8 (250)	5.8 (146)
6" (160)	ISTP06	12.7 (323)	9.8 (250)	7.3 (185)
8" (200)	ISTP08	15.9 (405)	12.0 (305)	8.8 (224)
10" (250)	ISTP10	15.9 (405)	12.0 (305)	10.7 (273)
12" (315)	ISTP12	36.7 (932)	24 (610)	13.8 (351)



Centric In creaser

Transitions vent system to a larger diameter. Install in vertical orientation only.

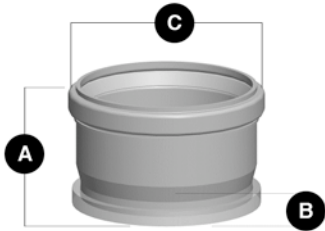
Nominal Diameter	Part #	Overall Length "A"	Effective Length "B"	Max O.D. "C"
2"/3" (60/80)	ISIA0203	5.9 (150)	3.5 (89)	3.7 (95)
3"/4" (80/110)	ISIA0304	5.7 (145)	3.2 (81)	5.0 (126)
100/4" (100/110)	ISIA10004	6.4 (163)	4.2 (105)	5.0 (126)
4"/5" (110/125)	ISIA0405	6.8 (173)	4.3 (110)	5.8 (146)
150/5" (150/160)	ISIA15006	7.7 (195)	4.5 (113)	7.3 (185)
5"/6" (125/160)	ISIA0506	7.2 (185)	4.3 (110)	7.3 (185)
6"/8" (160/200)	ISIA0608	10.4 (265)	6.5 (165)	8.8 (224)
8"/10" (200/250)	ISIA0810	11.6 (295)	7.7 (195)	10.8 (273)
10"/12" (250/315)	ISIA1012	18.2 (463)	5.5 (141)	13.8 (351)



Eccentric In creaser

Transitions vent system to a larger diameter. Install in horizontal or vertical orientation.

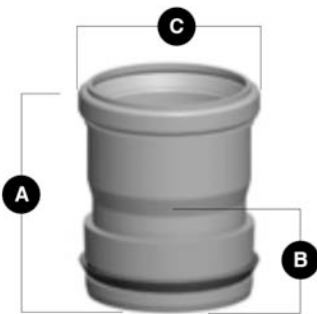
Nominal Diameter	Part #	Overall Length "A"	Effective Length "B"	Max O.D. "C"
2"/3" (60/80)	ISEI0203	5.3 (135)	3.1 (79)	3.8 (97)
3"/4" (80/110)	ISEI0304	6.1 (156)	3.6 (91)	5.0 (128)
4"/5" (110/125)	ISEI0405	6.7 (170)	4.2 (106)	5.7 (145)
5"/6" (125/160)	ISEI0506	7.2 (185)	4.3 (108)	7.3 (185)
6"/8" (160/200)	ISEI0608	10.4 (265)	6.5 (165)	8.8 (224)
8"/10" (200/250)	ISEI0810	11.8 (300)	7.8 (200)	10.8 (273)



Centric Reducer

Transitions vent system to a smaller diameter.

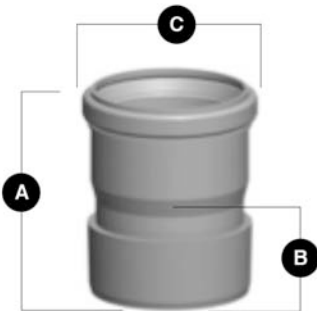
Nominal Diameter	Part #	Overall Length "A"	Effective Length "B"	Max O.D. "C"
130/5" (130/125)	ISRD13005			
150/4" (150/110)	ISRD13004			
150/5" (150/125)	ISRD15005	8.8 (223)	6.5 (165)	5.9 (150)
6" /4" (160/110)	ISRD0604	5.0 (127)	2.7 (69)	6.7 (170)
8" /6" (200/160)	ISRD0806			
10" /8" (250/200)	ISRD1008			



Appliance Adaptor w/ Gasket PVC to PPs

Adapts a female PVC / CPVC coupler or appliance flue outlet to InnoFlue SW or Flex.

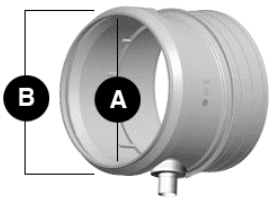
Nominal Diameter PVC to PP	Part #	Overall Length "A"	Effective Length "B"	Max O.D. "C"
2" /2" (59/60)	ISAG0202	4.0 (102)	1.5 (37)	2.9 (74)
3" /3" (87/80)	ISAG0303	4.4 (111)	2.2 (56)	3.7 (95)
4" /4" (114/110)	ISAG0404	4.8 (122)	2.5 (64)	5.0 (126)
5" /5" (140/125)	ISAG0505	5.7 (144)	2.9 (73)	5.8 (146)
6" /6" (167/160)	ISAG0606	7.1 (181)	3.9 (99)	7.3 (185)



Appliance Adaptor PVC to PPs

Adapts a female stainless steel, PVC or CPVC appliance flue outlet (with integrated gasket) to InnoFlue SW or Flex.

Nominal Diameter PVC to PP	Part #	Overall Length "A"	Effective Length "B"	Max O.D. "C"
2" /2" (59/60)	ISAA0202	4.0 (102)	1.5 (37)	2.9 (74)
3" /3" (87/80)	ISAA0303	4.4 (111)	2.2 (56)	3.7 (95)
4" /4" (114/110)	ISAA0404	4.8 (122)	2.5 (64)	5.0 (126)
5" /5" (140/125)	ISAA0505	5.7 (144)	2.9 (73)	5.8 (146)
6" /6" (167/160)	ISAA0606	7.1 (181)	3.9 (99)	7.3 (185)



Appliance Adaptor w/ Condensate Drain SS to PPs

Adapts a male stainless steel appliance flue outlet to InnoFlue SW. Three degree pitch towards drain in both directions removes condensate from system. Part requires use of Vibration Isolation Boot. Use with Long John Siphon.

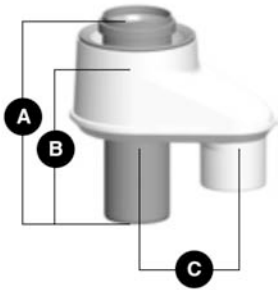
Nominal Diameter PVC to PP	Part #	Appliance Side I.D.	Appliance Side O.D.
6" (160)	ISAACD06		
8" (200)	ISAACD08		
10" (250)	ISAACD10		
12" (315)	ISAACD12		



Vibration Isolation Boot w/Clamps

High temperature silicone boot seals InnoFlue SW Vent Lengths and Fittings to appliance flue outlet.

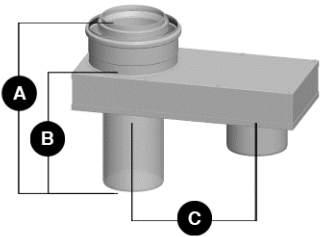
Nominal Diameter PVC to PP	Part #	Width	Min I.D.	Max I.D.
6" (160)	ISVIB06	2.4 (60)	5.9 (150)	6.7 (170)
8" (200)	ISVIB08	2.4 (60)	7.9 (200)	8.7 (220)
10" (250)	ISVIB10	2.4 (60)	9.8 (250)	11.0 (280)
12" (315)	ISVIB12	2.4 (60)	11.8 (300)	13.0 (330)



Twin Pipe to Concentric Adaptor

Transitions twin pipe vent configurations to concentric vent system or concentric termination.

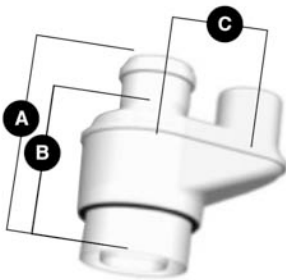
Nominal Diameter	Part #	Overall Length "A"	Effective Length "B"	Offset "C"
3"/5" (80/125)	ICTC0335	9.8 (250)	7.9 (200)	4.8 (121)



Twin Pipe to Concentric Adaptor

Transitions twin pipe vent configurations to concentric vent system or concentric termination.

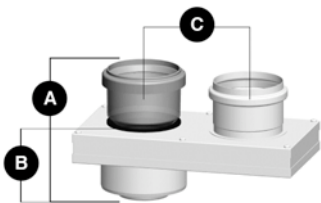
Nominal Diameter	Part #	Overall Length "A"	Effective Length "B"	Offset "C"
4"/6" (110/160)	ICTC0446	12.4 (316)	10.0 (253)	9.1 (230)



Concentric to Twin Pipe Adaptor

Transitions concentric pipe to twin pipe configuration.

Nominal Diameter	Part #	Overall Length "A"	Effective Length "B"	Offset "C"
3"/5" (80/125)	ICCT3503	9.8 (250)	5.9 (150)	4.8 (121)

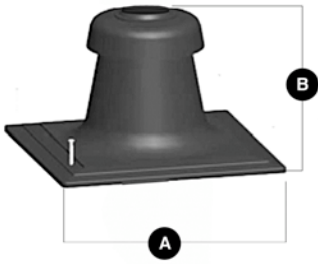


Concentric to Twin Pipe Adaptor

Transitions concentric pipe to twin pipe configuration.

Nominal Diameter	Part #	Overall Length "A"	Effective Length "B"	Offset "C"
2"/4" (60/100) to 3" (80)	ICCT2403	5.3 (135)	3.0 (75)	4.9 (125)
4"/6" (110/160)	ICCT4604	12.4 (316)	10.0 (253)	9.1 (230)

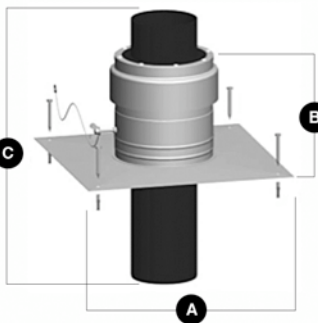
Terminations



Chimney Cover PPs-UV

This termination incorporates a combustion air intake and flue gas termination in a single assembly. Cover seals top of the chimney or chase. Use with End Pipe or Flex End Pipe .

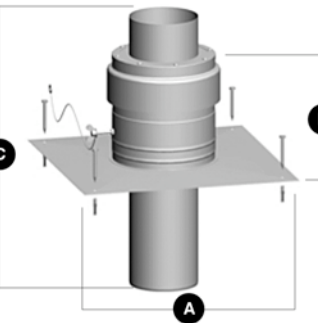
Nominal Diameter	Part #	Length "A"	Height "B"
2" (60)	ISCP02	15.8 (400)	9.6 (245)
3" (80)	ISCP03	15.8 (400)	9.6 (245)
4" (110)	ISCP04	15.8 (400)	9.6 (245)



Chimney Cover SS W/PPs-UV End Pipe

Stainless steel termination with polypropylene end pipe incorporates a combustion air intake and flue gas termination in a single assembly allowing combustion air to flow through chimney/chase. Cover seals top of the chimney or chase.

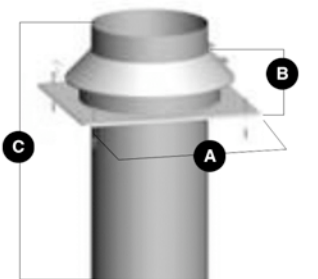
Nominal Diameter	Part #	Length "A"	Height "B"	Height "C"
3" (80)	ISCM03	15.8 (400)	7.9 (200)	19.7 (500)
4" (110)	ISCM04	15.8 (400)	7.9 (200)	19.7 (500)
5" (125)	ISCM05	15.8 (400)	7.9 (200)	19.7 (500)
6" (160)	ISCM06	15.8 (400)	7.9 (200)	19.7 (500)



Chimney Cover SS W/SS End Pipe

Stainless steel termination with stainless steel end pipe incorporates a combustion air intake and flue gas termination in a single assembly allowing combustion air to flow through chimney/chase. Cover seals top of the chimney or chase.

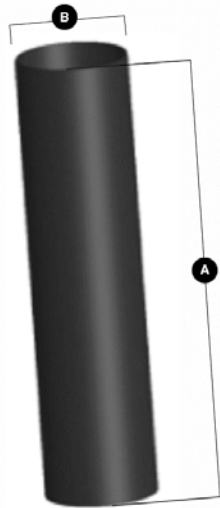
Nominal Diameter	Part #	Length "A"	Height "B"	Height "C"
8" (200)	ISCS08	19.7 (500)	8.0 (203)	19.7 (500)
10" (250)	ISCS10	19.7 (500)	8.0 (203)	19.7 (500)



Chimney Cover SS W/SS End Pipe

Stainless steel termination with stainless steel end pipe incorporates a combustion air intake and flue gas termination in a single assembly allowing combustion air to flow through chimney/chase. Cover seals top of the chimney or chase.

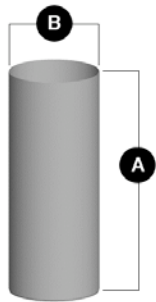
Nominal Diameter	Part #	Width "A"	Height "B"	Height "C"
12" (315)	ISCS12	19.7 (500)	6.1 (155)	39.4 (1000)



End Pipe PPs-UV

Made from black U.V. stabilized polypropylene. Use where termination is exposed to excessive sunlight.

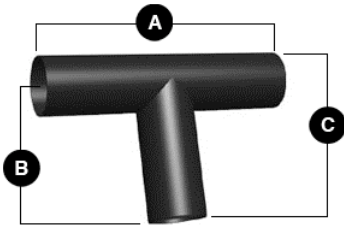
Nominal Diameter	Part #	Overall Length "A"	Max O.D. "B"
2" (60)	ISEP02	19.7 (500)	2.4 (60)
2" (60)	ISEP0239	39.0 (990)	2.4 (60)
3" (80)	ISEP03	19.7 (500)	3.2 (80)
3" (80)	ISEP0339	39.0 (990)	3.2 (80)
4" (110)	ISEP04	19.7 (500)	4.3 (110)
4" (110)	ISEP0439	39.0 (990)	4.3 (110)
5" (125)	ISEP05	19.7 (500)	4.9 (125)
5" (125)	ISEP0539	39.0 (990)	4.9 (125)
6" (160)	ISEP06	19.7 (500)	6.3 (160)
6" (160)	ISEP0639	39.0 (990)	6.3 (160)



End Pipe SS

Made from stainless steel. Use at roof, chimney and wall terminations

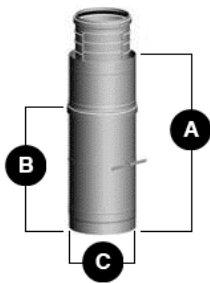
Nominal Diameter	Part #	Overall Length "A"	Max O.D. "B"
8" (200)	ISEP08	19.7 (500)	7.9 (200)
10" (250)	ISEP10	19.7 (500)	9.8 (250)
12" (315)	ISEP12	39.0 (990)	12.4 (315)



Termination Tee

Made from black U.V. stabilized polypropylene. Use where termination is exposed to excessive wind or prone to freeze ups.

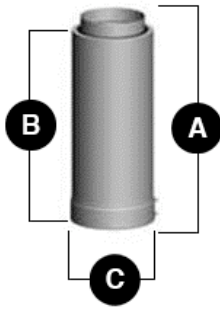
Nominal Diameter	Part #	Overall Width "A"	Effective Length "B"	Max Length "C"
2" (60)	ISTT02	7.6 (193)	7.6 (193)	8.8 (233)
3" (80)	ISTT03	7.6 (193)	7.6 (193)	9.2 (243)
4" (110)	ISTT04	7.6 (193)	7.6 (193)	9.8 (248)
5" (125)	ISTT05	8.0 (203)	7.6 (193)	10.1 (256)
6" (160)	ISTT06	9.0 (229)	7.6 (193)	10.8 (273)



Roof Termination w/Collar SS

Made from stainless steel, the Roof Termination w/ Collar terminates the vent system at the roof line. Use with Termination Piece and Roof Flashing.

Nominal Diameter	Part #	Overall Length "A"	Roof Line "B"	O.D. "C"
8" (200)	ISRTSS08	41.1 (1070)	28.1 (714)	11.9 (301)
10" (250)	ISRTSS10	41.1 (1070)	28.1 (714)	13.8 (351)
12" (315)	ISRTSS12	41.1 (1070)	28.1 (714)	15.8 (401)



Termination Piece w/ End Pipe SS

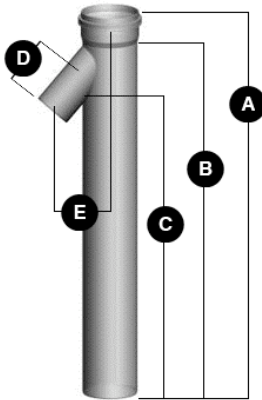
Made from stainless steel, the Termination Piece w/ End Pipe SS fits over the Roof Termination, preventing air and moisture from entering.

Nominal Diameter	Part #	Overall Length "A"	Effective Length "B"	O.D. "C"
8" (200)	ISEPPSS08	16.7 (425)	14.0 (355)	8.9 (226)
10" (250)	ISEPPSS10	16.7 (425)	14.0 (355)	11.9 (301)
12" (315)	ISEPPSS12			

Cascade Components

Branch Tee w/4" Feeder

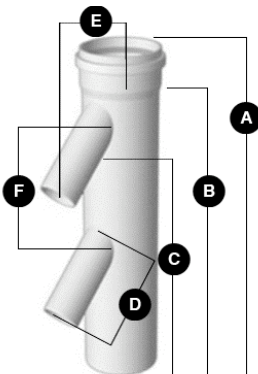
42 degree Y allows for the cascading of appliances in a series configuration.



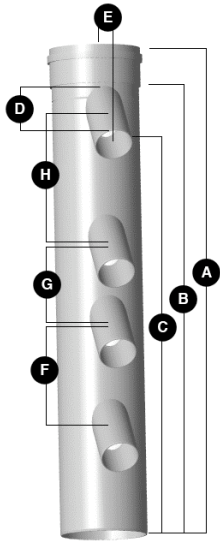
Nominal Diameter	Part #	Overall Length "A"	Effective Length "B"	Effective Length "C"	Feeder Length "D"	Offset "E"
4" (110)	ISBT040415	17.7 (449)	15.2 (385)	8.1 (205)	7.9 (200)	5.8 (148)
4" (110)	ISBT040442	44.3 (1124)	41.7 (1060)	34.6 (880)	7.9 (200)	5.8 (148)
5" (125)	ISBT050412	14.8 (376)	12.0 (305)	4.9 (124)	7.9 (200)	6.1 (156)
5" (125)	ISBT050442	44.5 (1131)	41.7 (1060)	34.6 (879)	7.9 (200)	6.1 (156)
6" (160)	ISBT060412	15.2 (386)	12.0 (305)	4.3 (122)	7.9 (200)	6.8 (173)
6" (160)	ISBT060442	45.0 (1141)	41.7 (1060)	34.5 (877)	7.9 (200)	6.8 (173)
8" (200)	ISBT080412	15.9 (405)	12.0 (305)	4.7 (121)	7.9 (200)	7.6 (193)
8" (200)	ISBT080439	45.7 (1160)	41.7 (1060)	34.5 (876)	7.9 (200)	7.6 (193)
10" (250)	ISBT100412	15.9 (405)	12.0 (305)	4.7 (121)	7.9 (200)	8.6 (218)
10" (250)	ISBT100442	45.7 (1160)	41.7 (1060)	34.5 (876)	7.9 (200)	8.6 (218)
12" (315)	ISBT120426	39.1 (992)	26.4 (670)	18.9 (480)	7.9 (200)	9.9 (251)
12" (315)	ISBT120439	52 (1322)	39.4 (1000)	32.3 (820)	7.9 (200)	9.9 (251)

Branch Tee w/2 x 4" Feeders

2 x 42 degree Ys allows for the cascading of appliances in a back to back configuration.



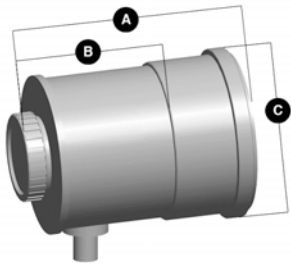
Nominal Diameter	Part #	Overall Length "A"	Effective Length "B"	Effective Length "C"	Feeder Length "D"	Offset "E"	Offset "F"
6" (160)	ISBT0604422	45.0 (1142)	41.7 (1060)	34.5 (875)	7.9 (200)	6.8 (173)	15.9 (405)
8" (200)	ISBT0804422	45.7 (1160)	41.7 (1060)	34.5 (876)	7.9 (200)	7.6 (193)	15.8 (400)



Branch Tee w/4 x 4" Feeders

4 x 42 degree Ys allows for the cascading of appliances in a back to back configuration.

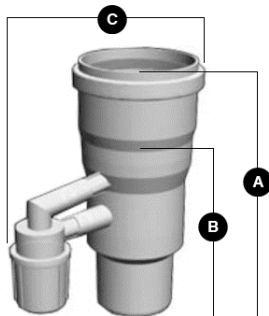
Nominal Diameter	Part #	Overall Length "A"	Effective Length "B"	Max O.D. "C"	Feeder Length "D"	Offset "E"	Offset "F"	Offset "G"	Offset "H"
10" (250)	ISBT1004514	55.1 (1400)	51.2 (1300)	43.9 (1116)	7.9 (200)	8.6 (218)	11.8 (299)	9.1 (232)	14.6 (371)
12" (315)	ISBT1204744	86.5 (2198)	73.8 (1876)	66.6 (1691)	7.9 (200)	9.9 (250)	11.8 (299)	9.1 (232)	14.6 (371)



Horizontal Drain Fitting

Placed at the end of the last Branch Tee in a cascade configuration, the Horizontal Drain Fitting removes condensate from the system and allows for system cleanout.

Nominal Diameter	Part #	Drain O.D. "A"	Effective Length "B"	Max O.D. "C"
4" (110)	ISHDF04	1.3 (32)	7.2 (182)	5.1 (128)
5" (125)	ISHDF05	1.3 (32)	7.4 (187)	5.8 (146)
6" (160)	ISHDF06	1.3 (32)	8.2 (209)	7.3 (185)
8" (200)	ISHDF08	1.3 (32)	8.5 (215)	8.8 (224)
10" (250)	ISHDF10	1.3 (32)	13.8 (350)	10.8 (273)
12" (315)	ISHDF12	1.3 (32)	6.3 (160)	13.8 (350)

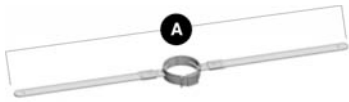


Non-Return Valve

Used in cascade or common vent configurations, Non-Return Valves prevent the escape of combustion gas through non-operating appliances. Product is only available for purchase through original equipment manufacturers.

Nominal Diameter	Part #	Overall Length "A"	Effective Length "B"	Max Dia. "C"
3" to 4" (80/110)	ISNRV0304	9.7 (246)	7.4 (188)	8.9 (225)
4" to 4" (110/110)	ISNRV0404	10.3 (262)	8.0 (204)	8.9 (225)

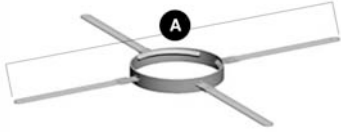
Spacers



2" Spacer

Centers InnoFlue SW or InnoFlue Flex within a masonry chimney.

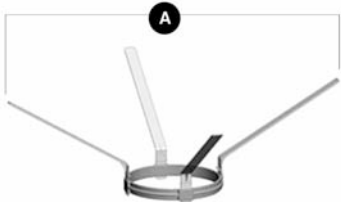
Nominal Diameter	Part #	Max. Width "A"
2" (60)	IASP02	23.5 (596)



3" & 4" Spacers

Centers InnoFlue SW or InnoFlue Flex within a masonry chimney.

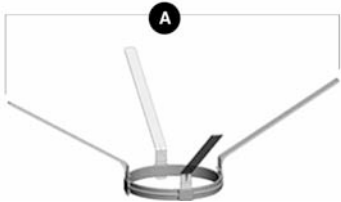
Nominal Diameter	Part #	Max. Width "A"
3" (80)	IASP03	22.8 (580)
4" (110)	IASP04	23.9 (606)



5" & 6" Spacers

Centers InnoFlue SW or InnoFlue Flex within a masonry chimney.

Nominal Diameter	Part #	Max. Width "A"
5" (125)	IASP05	24.6 (625)
6" (160)	IASP06	25.0 (635)

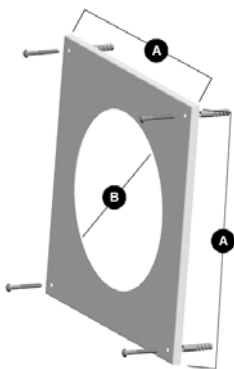


8", 10" & 12" Spacers

Centers InnoFlue SW or InnoFlue Flex within a masonry chimney.

Nominal Diameter	Part #	Max. Width "A"
8" (200)	IASP08	27.6 (700)
10" (250)	IASP10	29.5 (750)
12" (315)	IASP12	32.1 (815)

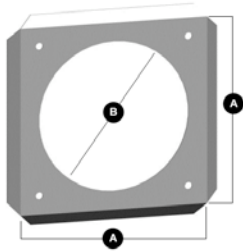
Flashings



Wall Plate Square (Plastic)

Used to improve aesthetics and eliminate drafts at chimney openings or wall penetrations.

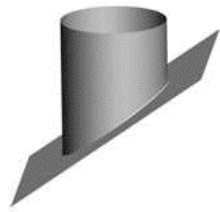
Nominal Diameter	Part #	Overall Length "A"	Width of Opening "B"
5" (125)	IAWPPS05	7.9 (202)	5.1 (129)



Wall Plate Square (White Steel)

Used to improve aesthetics and eliminate drafts at chimney openings or wall penetrations.

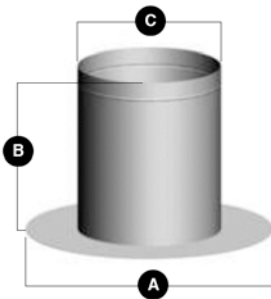
Nominal Diameter	Part #	Overall Length "A"	Width of Opening "B"
6" (160)	IAWPSW06	9.1 (230)	6.5 (165)



Pitched Roof Flashing SS

Used to create a weather-tight penetration where the vent length passes through a pitched roof. Parts are custom made per order. Specify required pitch when ordering. Used with Roof Termination and Termination Piece.

Nominal Diameter	Part #
8" (200)	IAPRF08
10" (250)	IAPRF10
12" (315)	IAPRF12

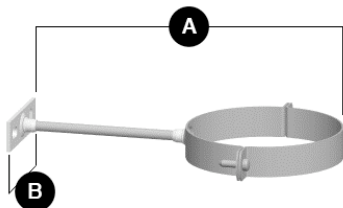


Flat Roof Flashing SS

Used to create a weather-tight penetration where the vent length passes through a flat roof. Used with Roof Termination and Termination Piece.

Nominal Diameter	Part #	Overall Width "A"	Height "B"	O.D. "C"
8" (200)	IAFRF08			
10" (250)	IAFRF10	23.6 (600)	19.7 (500)	
12" (315)	IAFRF12	25.6 (650)	19.7 (500)	14.0 (355)

Accessories



Support Clamp

Used as vertical or horizontal support. Space 78" in vertical and 39" in horizontal installations. Overall length "A" can be field shortened.

Nominal Diameter	Part #	Overall Length "A"	Width of Base "B"
2" (60)	IASC02	5.2 (132)	3.2(80)
3" (80)	IASC03	8.8 (223)	3.2(80)
4" (110)	IASC04	10.0 (253)	3.2(80)
4" (100) Concentric	ICSC04	9.6 (243)	3.2(80)
5" (125)	IASC05	10.6 (268)	3.2(80)
6" (160)	IASC06	11.9 (303)	3.2(80)



Bird Screen PPs-UV

Fits inside InnoFlue SW and Flex end-pipes at terminations.

Nominal Diameter	Part #
2" (60)	IASPP02
3" (80)	IASPP03



Bird Screen SS

Fits inside InnoFlue SW and Flex end-pipes at terminations.

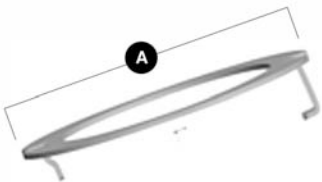
Nominal Diameter	Part #
3" (80)	IASSS03
4" (110)	IASSS04
5" (125)	IASSS05
6" (160)	IASSS06
8" (200)	IASSS08
10" (250)	IASSS10
12" (315)	IASSS12



EPDM Gaskets

Standard gasket for 2" through 6" diameter InnoFlue SW. Inserted into the female end of each part, the gaskets keep flue gases and condensates within the vent system.

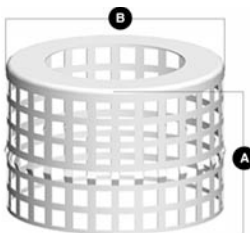
Nominal Diameter	Part #
2" (60)	ISGE02
3" (80)	ISGE03
4" (110)	ISGE04
5" (125)	ISGE05
6" (160)	ISGE06



Connector

Provides reinforcement at joints to support loads of up to 99 lbs (45Kg). Required for ULC-S636 compliant installations.

Nominal Diameter	Part #	O.D. "A"
2" (60)	IANS02	3.2 (81)
3" (80)	IANS03	4.1 (103)
4" (110)	IANS04	5.3 (134)
5" (125)	IANS05	5.8 (148)



Air Intake

Place atop a concentric appliance flue outlet when exhausting flue gases through InnoFlue SW or Flex and combustion air is supplied from within.

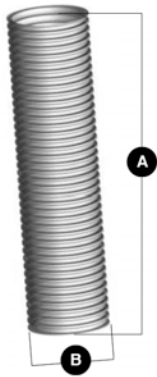
Nominal Diameter	Part #	Overall Height "A"	Max O.D. "B"
2" / 4" (60/100)	IAAI0204	3.5 (88)	3.9 (100)
3" / 5" (80/125)	IAAI0305	3.5 (88)	5.0 (126)
4" / 6" (110/160)	IAAI0406	3.5 (88)	6.3 (160)



Centrocerin

A water based lubricant used to ease the assembly of InnoFlue SW & Flex. Applied to both the gasket and male end, Centrocerin evaporates in approximately one hour.

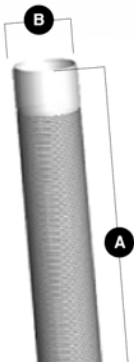
Package Size	Part #
50 ml	IACE50



2" Flexible Vent Lengths

Flexible Vent is manufactured from polypropylene. Flexible Vent can be field cut and is ideal for use in chimneys with offsets. Lengths can be connected to InnoFlue SW at any flexible location with couplers.

Nominal Diameter	Part #	Overall Height "A"	Max O.D. "B"
2" (60)	IFVL02150	150' (45.7m)	2.4 (60)

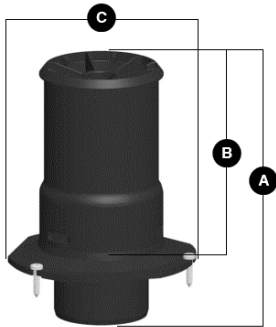


3" and 4" Flexible Vent Lengths

Flexible Vent is manufactured from polypropylene and features rigid sections every 2 feet. Flexible Vent can be field cut and is ideal for use in chimneys with offsets. Lengths can be connected to InnoFlue SW at any rigid section.

Nominal Diameter	Part #	Overall Height "A"	Max O.D. "B"
3" (80)	IFVL03150	150' (45.7m)	3.2 (80)
4" (110)	IFVL04080	80' (24.4m)	4.3 (110)

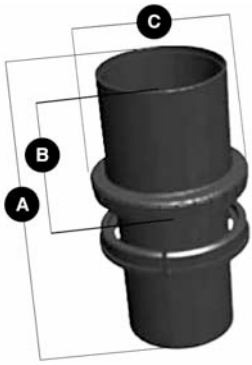
Couplers



2" Flex End Pipe

Terminates InnoFlue Flex at top of chimney. Used in combination with Chimney Cover PPs-UV.

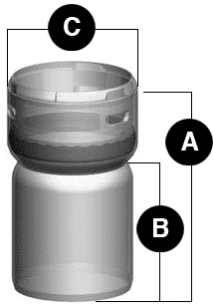
Nominal Diameter	Part #	Overall Length "A"	Effective Length "B"	Max O.D. "C"
2" (60)	IFEPO2	5.3 (135)	4.1 (105)	3.9 (99)



3" and 4" Flex End Pipe

Terminates InnoFlue Flex at top of chimney. Used in combination with Chimney Cover PPs-UV.

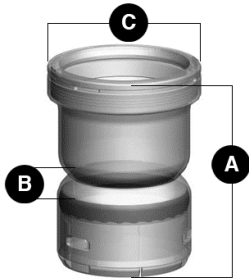
Nominal Diameter	Part #	Overall Length "A"	Effective Length "B"	Max O.D. "C"
3" (80)	IFEP03	7.1 (180)	3.3 (84)	3.9 (100)
4" (110)	IFEP04	10.0 (253)	3.5 (89)	5.2 (132)



SW to Flex Coupler

Transitions 2" InnoFlue Single Wall Rigid Vent to 2" InnoFlue Flex.

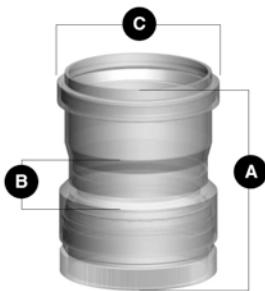
Nominal Diameter	Part #	Overall Length "A"	Effective Length "B"	Max O.D. "C"
2" (60)	IFSFC02	4.2 (107)	3.2 (81)	2.6 (65)



Flex to SW Coupler

Transitions 2" Flex to 2" InnoFlue Single Wall Rigid Vent.

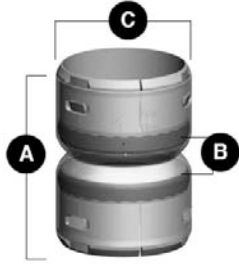
Nominal Diameter	Part #	Overall Length "A"	Effective Length "B"	Max O.D. "C"
2" (60)	IFFSC02	3.9 (99)	1.1 (28)	2.9 (74)



Flex to SW Coupler

Transitions 3" Flex to 3" InnoFlue Single Wall Rigid Vent.

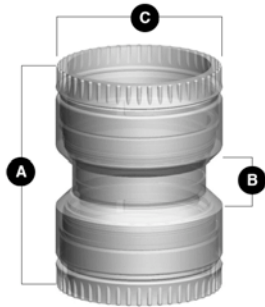
Nominal Diameter	Part #	Overall Length "A"	Effective Length "B"	Max O.D. "C"
3" (80)	IFFSC03	5.5 (141)		3.9 (100)



Flex to Flex

Connects 2" Flex Vent Length to 2" Flex Vent Length

Nominal Diameter	Part #	Overall Length "A"	Effective Length "B"	Max O.D. "C"
2" (60)	IFFFC02	3.4 (87)	1.4 (35)	2.6 (65)



Flex to Flex

Connects 3" Flex Vent Length to 3" Flex Vent Length

Nominal Diameter	Part #	Overall Length "A"	Effective Length "B"	Max O.D. "C"
3" (80)	IFFFC03	5.5 (138)	3.9 (100)	3.9 (100)



2" Flex Installation Tool

Use to pull InnoFlue Flex through chimneys. Installation Tool is weighted and attaches to bottom of InnoFlue Flex.

Nominal Diameter	Part #
2" (60)	IAIT02

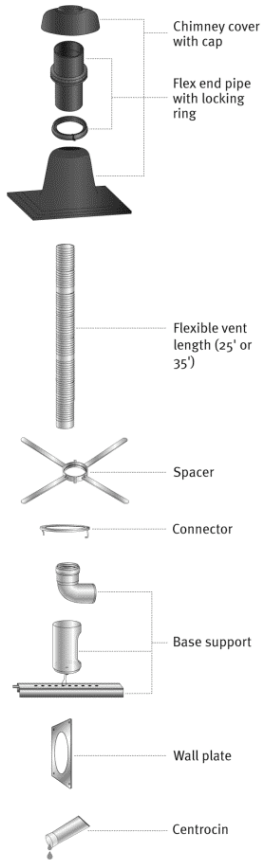


3" and 4" Flex Installation Tool

Use to pull InnoFlue Flex through chimneys. Installation Tool is weighted and attaches to bottom of InnoFlue Flex.

Nominal Diameter	Part #
3" (80)	IAIT03
4" (110)	IAIT04

Chimney Kits



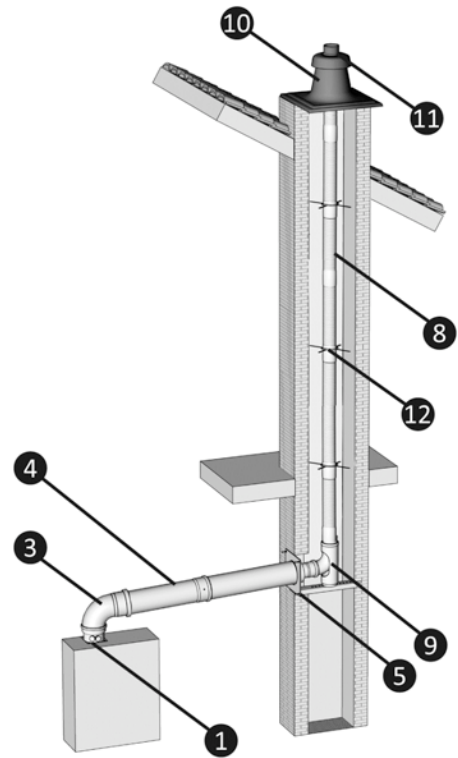
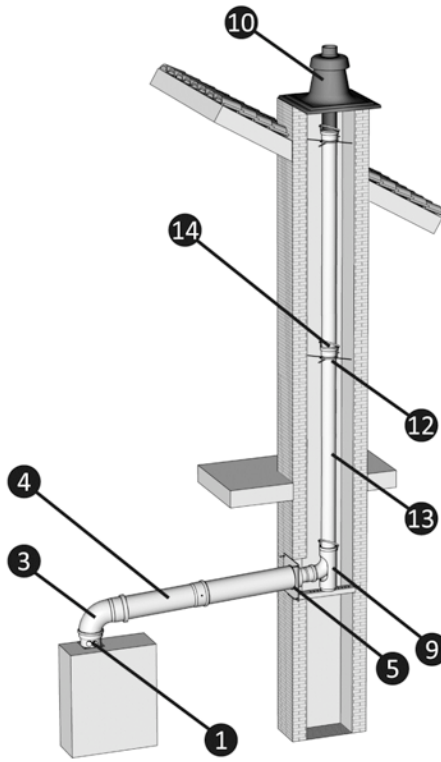
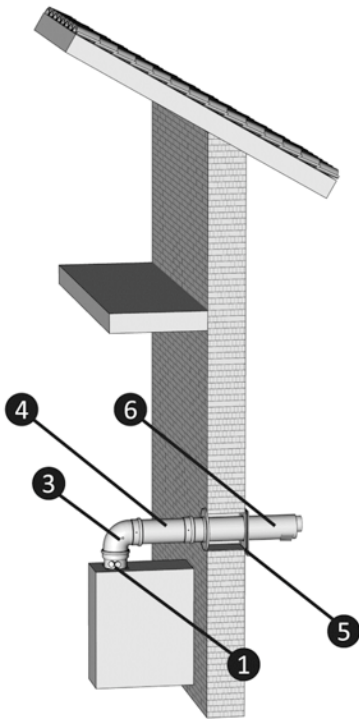
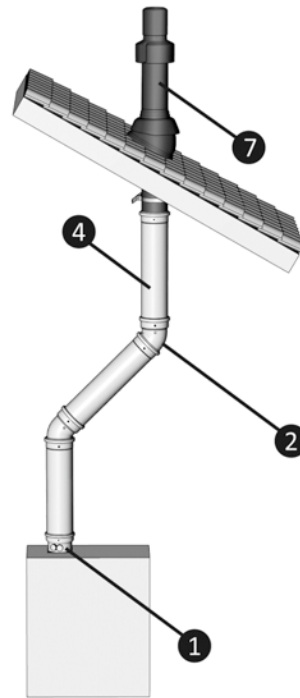
Chimney Kits

Include all components necessary to line a chimney from chimney termination to base support. Rigid vent lengths, elbows and adaptors required to connect chimney kit base support to appliance are sold separately. Kits are packaged in 2 boxes.

Nominal Diameter	Part #	Flex Vent Length
3" (80)	IFCK0325	25' (7.6m)
3" (80)	IFCK0335	35' (10.7m)
4" (110)	IFCK0425	25' (7.6m)
4" (110)	IFCK0435	35' (10.7m)

TYPICAL INNOFLUE® CONCENTRIC INSTALLATIONS

- 1 Concentric Appliance Adaptor
- 2 Concentric 45° Elbow
- 3 Concentric 87° Elbow
- 4 Concentric Vent Length
- 5 Concentric Wall Plate
- 6 Concentric Wall Termination
- 7 Concentric Roof Termination
- 8 Flexible Vent Length
- 9 Base Support
- 10 Chimney Cover PPs-UV
- 11 Flex End Pipe
- 12 Spacer
- 13 Vent Length
- 14 Connector



WHY INNOFLUE® CONCENTRIC

InnoFlue is Specifically Engineered For Flue Gas Venting

Benefit:

- Listed to ULC-S636 & CE EN 14471 safety standards
- Application specific marketing and technical information
- Application specific custom parts
- Centrotherm's full expertise and industry support

10 Year Limited Warranty

Benefit:

- InnoFlue® vent systems are supported by an industry leading 10 year limited manufacturer's warranty

Polypropylene & Metal Construction

Benefit:

- Superior corrosion resistance in gas and oil environments
- Casted elbows and adaptors provide increased impact resistance
- CE certified for sustained flue gases up to 248°F (120°C).
- ULC-S636 certified for sustained flue gases up to 230°F (110°C).
- Zero clearance to combustibles

Integrated Gasket System

Benefit:

- No adhesives required
- Allows for post installation adjustments
- Immediate use of appliance upon installation
- No Special tools required
- Rapid installation

Concentric Design

Benefit:

- Single part contains both combustion air and gases
- Single penetration through roof or wall
- Reduced labor costs

Rapid Installation

Benefit:

- Reduced labor costs
- No special tools required

LEED Compliance

Benefit:

- No solvent based PVC or CPVC adhesives per IE credit 4.1

APPLICATION

InnoFlue® Concentric is for use with natural gas and propane Category II & IV appliances or Canadian Type BH Gas Vent Systems. InnoFlue® Concentric can also be used with oil fired condensing appliances.

InnoFlue® SW and Flex is certified for operating flue gas temperature of 248°F (120°C) in the United States and 230° (110°C) in Canada per ULC-S636.

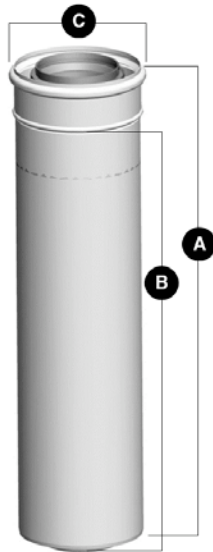
CONFIGURATIONS

InnoFlue® Concentric is a highly engineered vent system allowing for the movement of combustion air and combustion gas through a single vent system. The vent system can be configured for use with roof or wall terminations.

INNOFLUE® CONCENTRIC

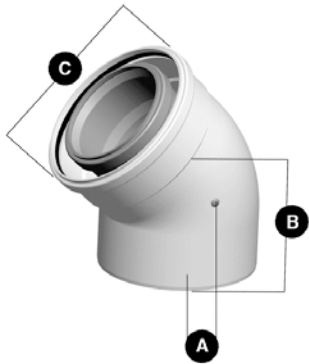
Concentric Vent Lengths

Gasketed rigid polypropylene vent lengths with metal outer and dedicated male and female ends. Male ends can be field cut to length.



Nominal Diameter	Part #	Overall Length "A"	Effective Length "B"	Max O.D. "C"
2"/4" (60/100)	ICVL241	14.5 (368)	12 (305)	4.4 (112)
2"/4" (60/100)	ICVL242	26.5 (673)	24 (610)	4.4 (112)
2"/4" (60/100)	ICVL243	38.5 (978)	36 (914)	4.4 (112)
3"/5" (80/125)	ICVL351	14.5 (368)	12 (305)	5.5 (139)
3"/5" (80/125)	ICVL352	26.5 (673)	24 (610)	5.5 (139)
3"/5" (80/125)	ICVL353	38.5 (978)	36 (914)	5.5 (139)
4"/6" (110/160)	ICVL461	14.5 (368)	12 (305)	6.8 (173)
4"/6" (110/160)	ICVL462	26.5 (673)	24 (610)	6.8 (173)
4"/6" (110/160)	ICVL463	38.5 (978)	36 (914)	6.8 (173)

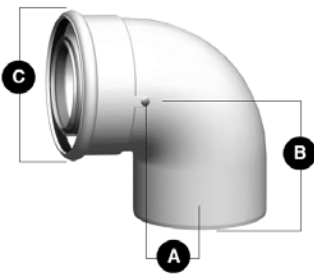
Elbows



Concentric 45° Elbow

For offsets or changes in the direction of the vent system.

Nominal Diameter	Part #	Centerline Offset "A"	Effective Length "B"	Max O.D. "C"
2"/4" (60/100)	ICEL2445	.7 (18)	3.3 (85)	3.0 (76)
3"/5" (80/125)	ICEL3545	1.3 (34)	4.6 (117)	5.6 (141)
4"/6" (110/160)	ICEL4645	1.5 (39)	5.2 (133)	6.9 (176)

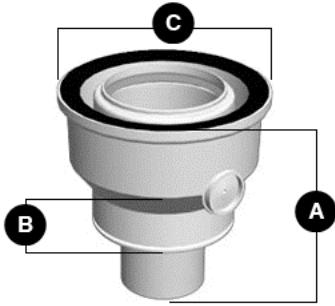


Concentric 87° Elbow

For offsets or changes in the direction of the vent system.

Nominal Diameter	Part #	Centerline Offset "A"	Effective Length "B"	Max O.D. "C"
2"/4" (60/100)	ICEL2487	2.0 (50)	4.8 (123)	3.0 (76)
3"/5" (80/125)	ICEL3587	3.1 (79)	5.1 (129)	5.6 (141)
4"/6" (110/160)	ICEL4687	4.4 (111)	6.5 (165)	6.9 (176)

Adaptors



Centric In creaser

Transitions from one diameter to a larger diameter. Install in vertical orientation only.

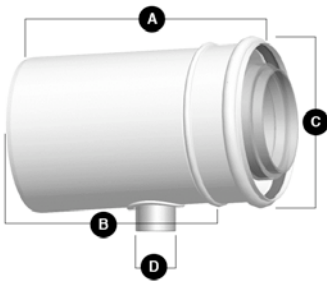
Nominal Diameter	Part #	Overall Length "A"	Effective Length "B"	Max O.D. "C"
100/150mm to 4"/6" (110/160)	ICIA10015046			
110/150mm to 4"/6" (110/160)	ICIA11015046			



Concentric Test Port

Installed immediately above the appliance, the test port allows maintenance professionals to sample flue gases and ensure the appliance is operating at optimum efficiency.

Nominal Diameter	Part #	Overall Length "A"	Effective Length "B"	Max O.D. "C"
2"/4" (60/100)	ICTP24	6.7 (170)	4.3 (110)	4.4 (112)
3"/5" (80/125)	ICTP35	6.7 (170)	4.3 (110)	5.5 (139)
4"/6" (110/160)	ICTP46	8.1 (207)	5.6 (143)	6.8 (173)

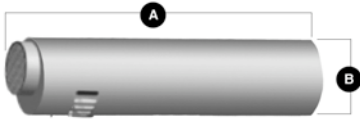


Concentric Horizontal Drain Tee

Use to drain condensate from the vent system. Install in horizontal section closest to appliance.

Nominal Diameter	Part #	Overall Length "A"	Effective Length "B"	Max O.D. "C"	Drain O.D. "D"
2"/4" (60/100)	ICHDT24	7.9 (200)	5.9 (150)	4.4 (112)	1.4 (32)
3"/5" (80/125)	ICHDT35	7.9 (200)	5.9 (150)	5.5 (139)	1.4 (32)
4"/6" (110/160)	ICHDT46	7.9 (200)	5.9 (150)	6.8 (173))	1.4 (32)

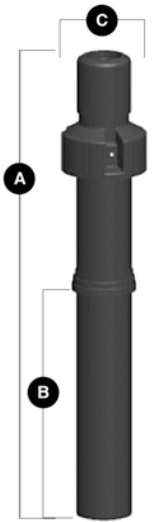
Terminations



Concentric Wall Termination

Made with a stainless steel outer and polypropylene inner, the concentric wall termination incorporates flue gas termination and combustion air intake. Use with InnoFlue Concentric or with InnoFlue SW by adding a Twin Pipe to Concentric Adapter.

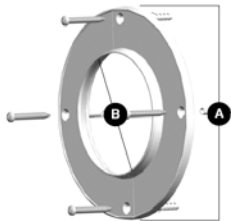
Nominal Diameter	Part #	Overall Length "A"	Max O.D. "B"
2"/4" (60/100)	ICWS2413	13.4 (340)	3.9 (100)
3"/5" (80/125)	ICWS3513	13.4 (340)	4.9 (125)
4"/6" (110/160)	ICWS4639	39.4 (1000)	6.3 (160)



Concentric Roof Termination

Concentric roof termination incorporates flue gas termination and combustion air intake. Use with InnoFlue Concentric or with InnoFlue SW by adding a Twin Pipe to Concentric Adapter.

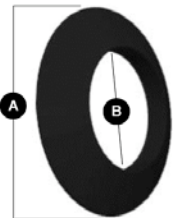
Nominal Diameter	Part #	Overall Length "A"	Roof Line "B"	Max O.D. "C"
2"/4" (60/100)	ICRT2439	39.4 (1000)	20.5 (520)	6.5 (166)
3"/5" (80/125)	ICRT3539	39.4 (1000)	20.5 (520)	6.5 (166)
4"/6" (110/160)	ICRT4679	78.7 (2000)	23.6 (600)	6.5 (166)



Concentric Wall Plate Round (Plastic)

Used to improve aesthetics and limit drafts at chimney openings or wall penetrations.

Nominal Diameter	Part #	Overall Diameter "A"	Width of Opening "B"
2"/4" (60/100)	IAWPPC04	(175)	(100)
3"/5" (80/125)	IAWPPC05		



Concentric Wall Plate Round (Rubber)

Used to improve aesthetics and limit drafts at chimney openings or wall penetrations.

Nominal Diameter	Part #	Overall Diameter "A"	Width of Opening "B"
2"/4" (60/100)	IAWPRC04		
3"/5" (80/125)	IAWPRC05		

ABOUT CENTROTHERM



For over 15 years the Centrotherm group of companies has manufactured the most comprehensive line of polypropylene flue gas systems in the industry including single wall, flexible and concentric vent solutions. In addition to our extensive range of standard vent products, Centrotherm is a full service manufacturer of appliance components for original equipment manufacturers. As the industry leader, Centrotherm is experienced in providing design services, prototyping, testing, and logistics management to its diverse sales channels.

Team up any high efficiency gas or oil fired appliance with InnoFlue[®], the superior performing, environmentally sustainable vent system that has established a solid track record over nearly two decades of infield service.

Centrotherm is a Centrotec Sustainable AG Company, a publicly traded diversified manufacturer of sustainable industrial products.

For more information on Centrotec, visit www.centrotec.com



North America

CENTROTHERM
Eco Systems, LLC
418 South Pearl Street
Albany, New York 12202
Tel. 518 434-3400
Fax 518 618-3166
info@centrotherm.us.com

www.centrotherm.us.com

Germany

CENTROTHERM
Systemtechnik GmbH
Am Patbergschen Dorn 9
D - 59929 Brilon/ Germany
Tel. +49 (0) 2961 9670-0
Fax +49 (0) 2961 9670-220
info@centrotherm.com

www.centrotherm.com

© Copyright 2010 Centrotherm Eco Systems, LLC. InnoFlue is a registered trademark of Centrotherm Eco Systems, LLC.