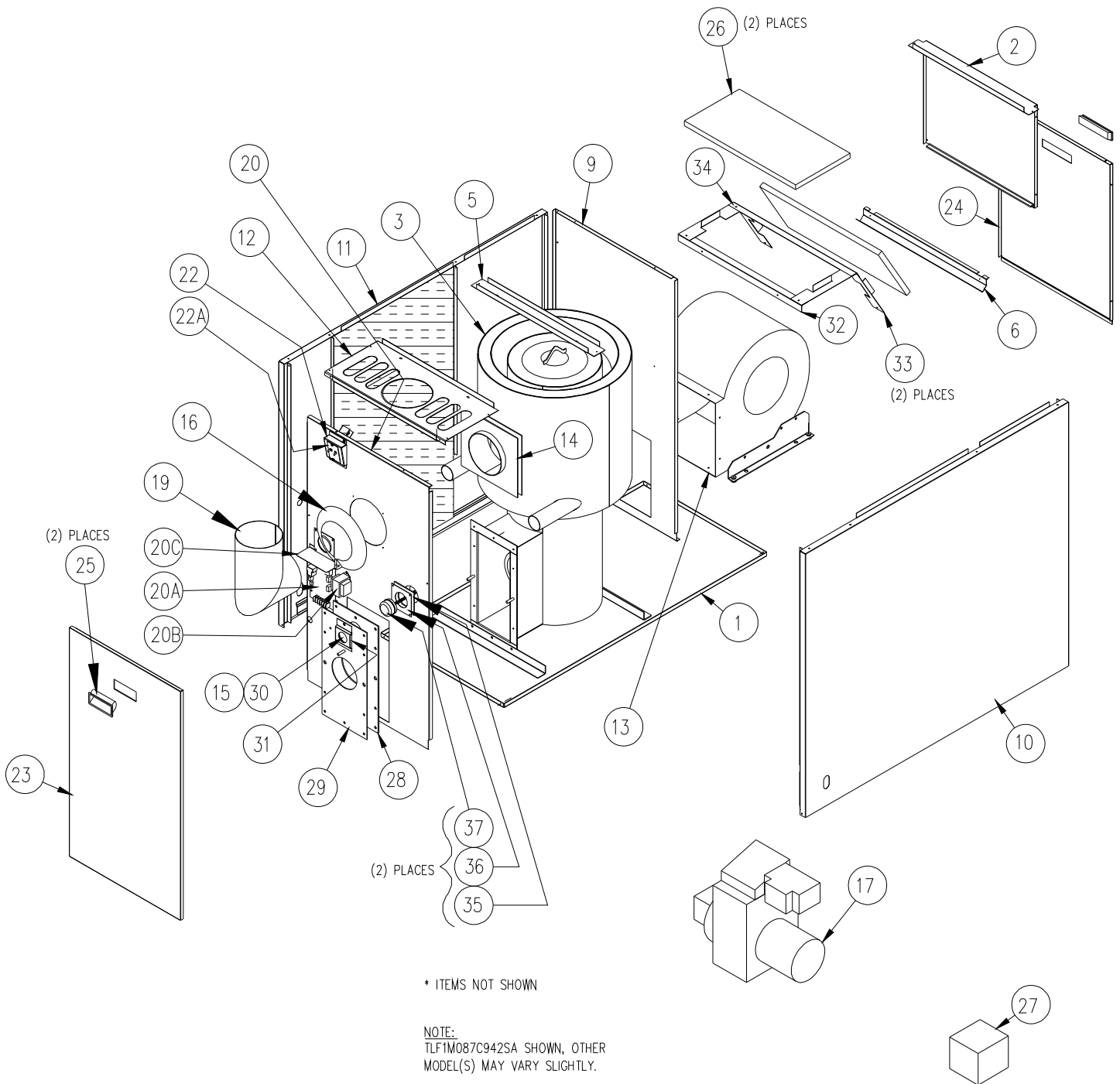


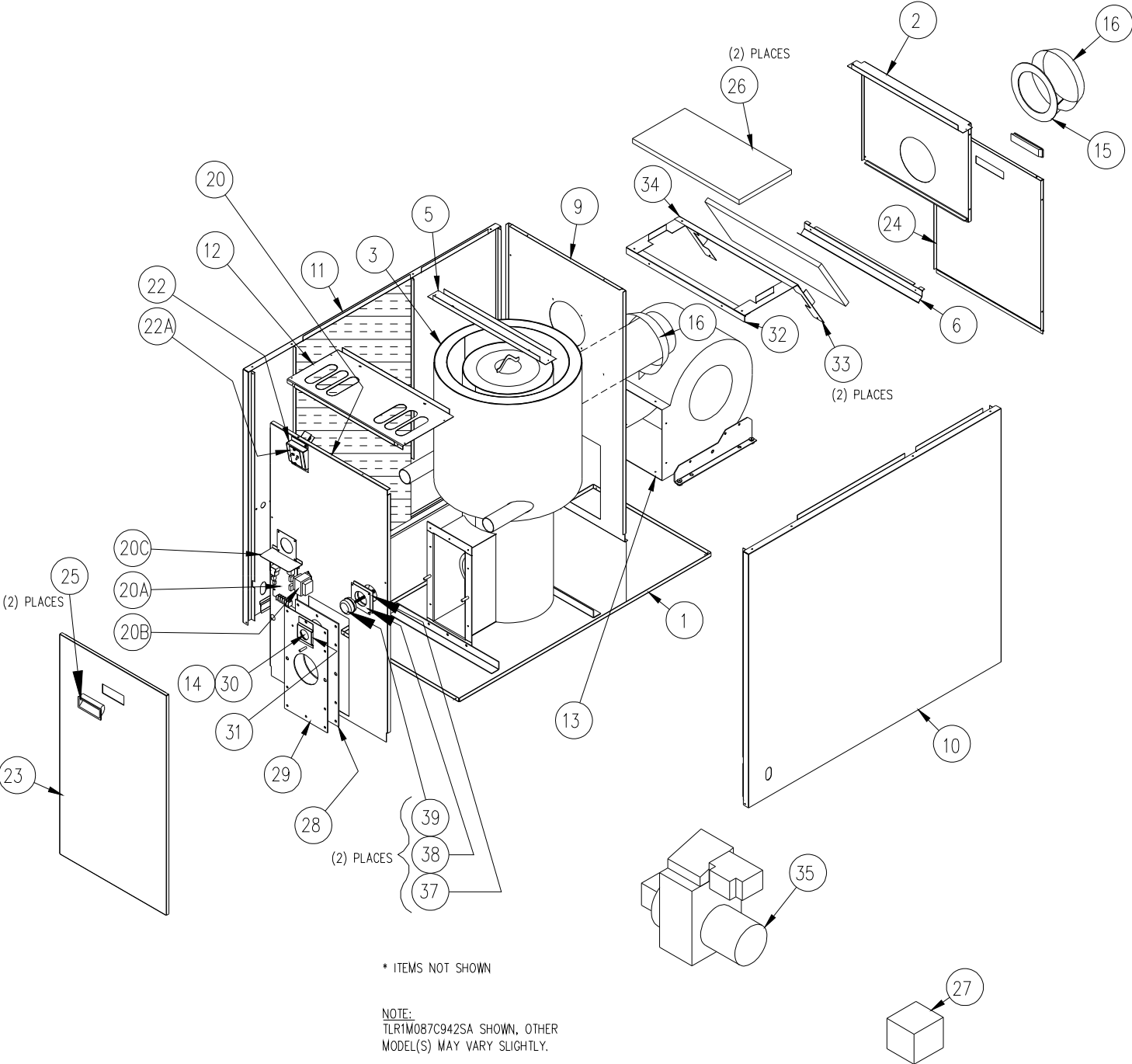
APPENDIX D: REPLACEMENT PARTS

Lowboy Front Flue Model



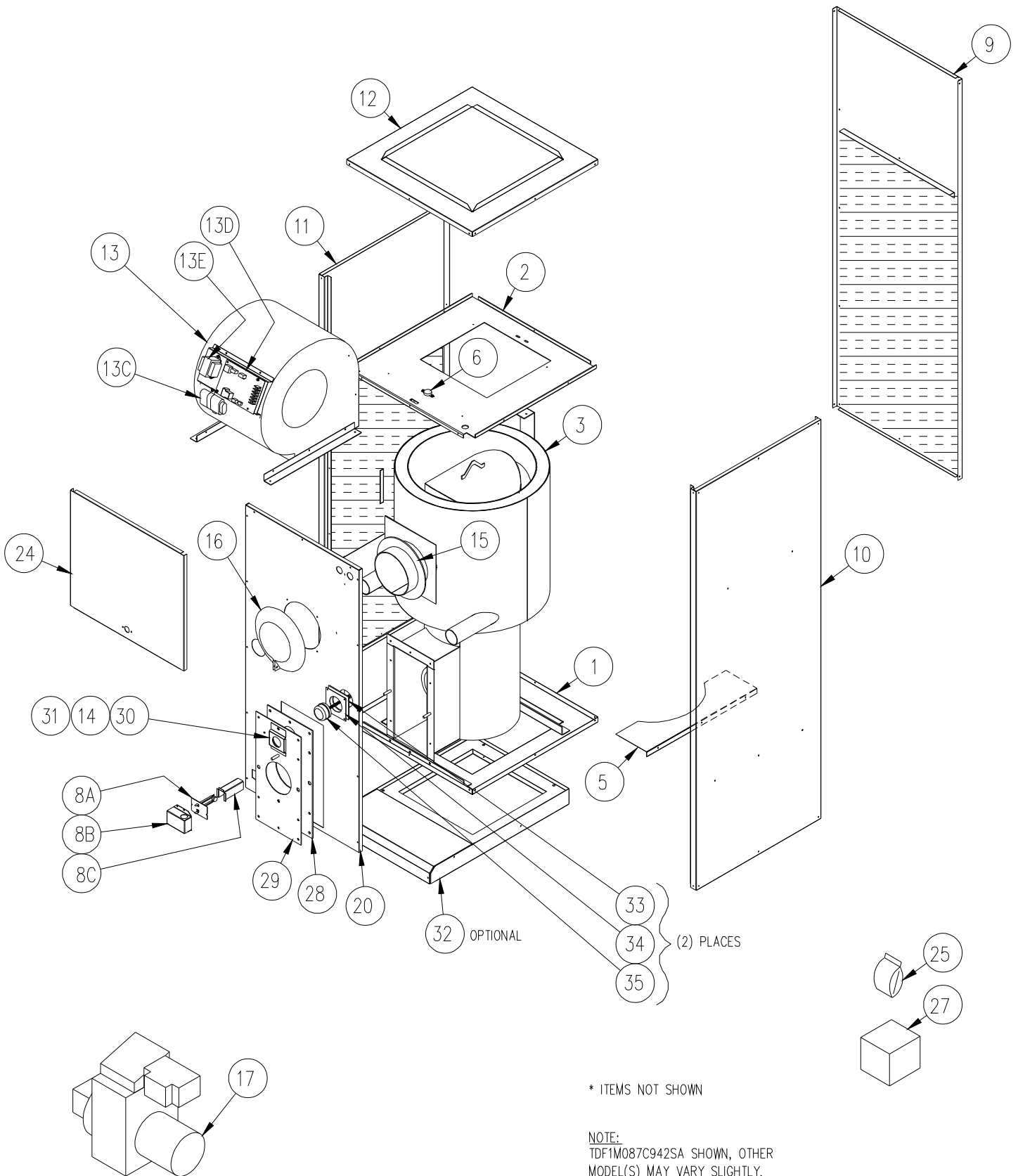
ITEM	PARTS DESCRIPTION	TLF1M087C942SA		TLF1M087D9V5SA	
		PART NO.	QTY.	PART NO.	QTY.
1	BASE	28132	1	28132	1
2	PANEL, REAR	617956-3	1	617956-3E	1
3	HEAT EXCHANGER	37946	1	37946	1
*3A	CHAMBER (WET PACK)	380698	1	380698	1
*4A	WIRE HARNESS, VESTIBULE	350267	1	350591	1
*4B	WIRE HARNESS, BLOWER	350269	1	350592	1
5	PLENUM PIECE, TOP MIDDLE	618144-3	1	618144-3	1
6	FILTER RACK, BOTTOM PIECE	18152	1	18152	1
9	SEPARATOR PANEL, REAR	18154	1	12241	1
10	SIDE CASING, RIGHT	627805-1	1	627805-1E	1
11	SIDE CASING, LEFT	627806-1	1	627806-1E	1
12	PANEL, TOP FRONT	617346-3	1	617346-3	1
13	BLOWER SUB-ASSEMBLY	S00S4212	1	S00S4570	1
*13A	BLOWER HOUSING w\ WHEEL	S00S4143	1	S00S4508	1
*13B	MOTOR	AOPS7652 (w\CAP)	1	350256	1
*13C	CAPACITOR	350073	1	-	-
*13D	MOTOR BRACKET ASSEMBLY	AOPS7670	1	AOPS7670	1
*13E	BLOWER WHEEL	340083	1	340108	1
*13F	16x4 BOX, PROGRAMMED	-	1	AOPS7766	1
*13G	WIRE HARNESS, 16x4 BOX	-	1	350259	1
*13H	WIRE HARNESS, MOTOR CONTROL	-	1	350849	1
*13J	WIRE HARNESS, MOTOR POWER	-	1	350850	1
*13K	FAN CONTROL	-	1	350393	1
*13L	INDUCTOR	-	1	350856	1
*13M	RELAY	-	1	350528	1
14	GASKET, FLUE BACKING PLATE	330008	1	330008	1
15	SIGHT GLASS BRACKET	18185	1	18185	1
16	DRAW COLLAR	14131	1	14131	1
17	BURNER, BECKETT AFG EFL401	380832	1	380832	1
19	ELBOW	35719	1	35719	1
20	SEPARATOR/CONTROL PANEL	S00S4222	1	612243	1
20A	OIL FURNACE CONTROL	AOPS8380	1	-	-
20B	TRANSFORMER	350464	1	350464	1
20C	CONTROL GUARD	19145	1	-	-
*20D	TERMINAL BOARD	-	-	350944	1
22	LIMIT BRACKET	29156	1	29156	1
22A	LIMIT SWITCH	350103	1	350103	1
*22B	INSULATING BOOT	350036	1	350036	1
23	DOOR, FRONT	617803-4	1	617803-4	1
24	PANEL, BLOWER ACCESS	617954-3	1	617954-3E	1
25	DOOR HANDLE	320157	2	320157	2
26	FILTER	370188	2	370188	2
27	DRAFT CONTROL	370190	1	370190	1
28	GASKET, BURNER MOUNTING PLATE	330180	1	330180	1
29	BURNER MOUNTING PLATE	27801	1	27801	1
30	PYREX SIGHT GLASS	330081	1	330081	1
31	GASKET, SIGHT GLASS	330098	1	330098	1
32	FILTER RACK, TOP PIECE	18151	1	18151	1
33	FILTER RACK, SIDE PIECE	18149	2	18149	2
34	FILTER RACK, MIDDLE PIECE	18150	1	18150	1
35	GASKET	330185	2	330185	2
36	TRIM PLATE	617945	2	617945	2
37	HX CLEANOUT ASS'Y	S00S4481	2	S00S4481	2

Lowboy Rear Flue Model



ITEM	PARTS DESCRIPTION	TLR1M087C942SA		TLR1M087D9V5SA	
		PART NO.	QTY.	PART NO.	QTY.
1	BASE	28132	1	28132	1
2	PANEL, REAR	617955-3	1	617955-3E	1
3	HEAT EXCHANGER	37947	1	37947	1
*3A	CHAMBER (WET PACK)	380698	1	380698	1
*4A	WIRE HARNESS, VESTIBULE	350267	1	350591	1
*4B	WIRE HARNESS, BLOWER	350269	1	350592	1
5	PLENUM PIECE, TOP MIDDLE	618144-3	1	618144-3	1
6	FILTER RACK, BOTTOM PIECE	18152	1	18152	1
9	SEPARATOR PANEL, REAR	18143	1	12242	1
10	SIDE CASING, RIGHT	627805-1	1	627805-1E	1
11	SIDE CASING, LEFT	627806-1	1	627806-1E	1
12	PANEL, TOP FRONT	617383-3	1	617383-3	1
13	BLOWER SUB-ASSEMBLY	S00S4212	1	S00S4570	1
*13A	BLOWER HOUSING w\ WHEEL	S00S4143	1	S00S4508	1
*13B	MOTOR	AOPS7652 (w\ CAP)	1	350256	1
*13C	CAPACITOR	350073	1	-	-
*13D	MOTOR BRACKET ASSEMBLY	AOPS7670	1	AOPS7670	1
*13E	BLOWER WHEEL	340083	1	340108	1
*13F	16x4 BOX, PROGRAMMED	-	1	AOPS7766	1
*13G	WIRE HARNESS, 16x4 BOX	-	1	350259	1
*13H	WIRE HARNESS, MOTOR CONTROL	-	1	350849	1
*13J	WIRE HARNESS, MOTOR POWER	-	1	350850	1
*13K	FAN CONTROL	-	1	350393	1
*13L	INDUCTOR	-	1	350856	1
*13M	RELAY	-	1	350528	1
14	SIGHT GLASS BRACKET	18185	1	18185	1
15	GASKET, FLUE COLLAR	330005	1	330005	1
16	DRAW COLLAR	14131	2	14131	2
20	SEPARATOR/CONTROL PANEL	S00S4224	1	612244	1
20A	OIL FURNACE CONTROL	AOPS8380	1	-	-
20B	TRANSFORMER	350464	1	350464	1
20C	CONTROL GUARD	19145	1	-	-
*20D	TERMINAL BOARD	-	-	350944	1
22	LIMIT BRACKET	19156	1	19156	1
22A	LIMIT SWITCH	19154	1	19154	1
*22B	INSULATING BOOT	350036	1	350036	1
23	DOOR, FRONT	617803-4	1	617803-4	1
24	PANEL, BLOWER ACCESS	617954-3	1	617954-3E	1
25	DOOR HANDLE	320157	2	320157	2
26	FILTER	370188	2	370188	2
27	DRAFT CONTROL	370190	1	370190	1
28	GASKET, BURNER MOUNTING PLATE	330180	1	330180	1
29	BURNER MOUNTING PLATE	27801	1	27801	1
30	PYREX SIGHT GLASS	330081	1	330081	1
31	GASKET, SIGHT GLASS	330098	1	330098	1
32	FILTER RACK, TOP PIECE	18151	1	18151	1
33	FILTER RACK, SIDE PIECE	18149	2	18149	2
34	FILTER RACK, MIDDLE PIECE	18150	1	18150	1
35	BURNER, BECKETT AFG EFL401	380832	1	380832	1
37	GASKET	330185	2	330185	2
38	TRIM PLATE	617945	2	617945	2
39	HX CLEANOUT ASS'Y	S00S4481	2	S00S4481	2

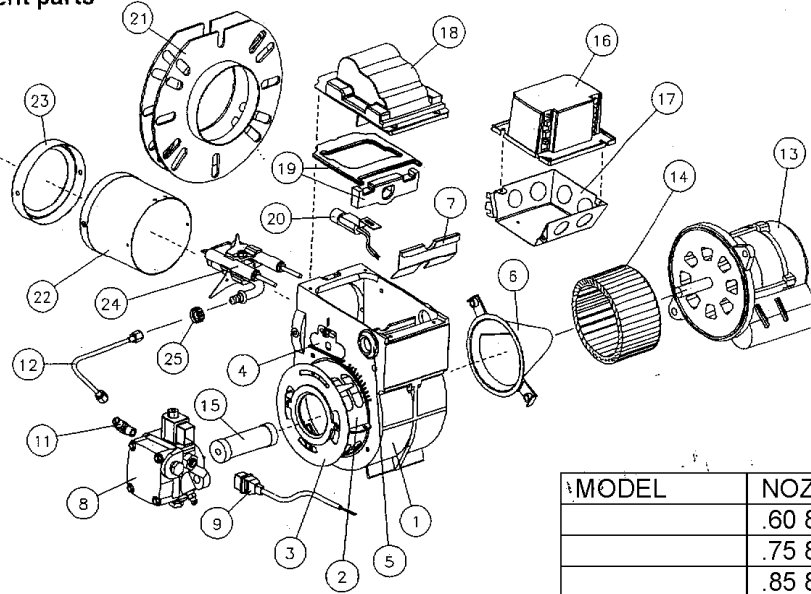
Horizontal/Counterflow Model



ITEM	PARTS DESCRIPTION	TDF1M087C942SA		TDF1M087D9V5SA	
		PART NO.	QTY.	PART NO.	QTY.
1	END, WARM AIR	628180-3	1	628180-3	1
2	BLOWER PAN	19148	1	12246	1
3	HEAT EXCHANGER	37948	1	37948	1
*3A	CHAMBER (WET PACK)	380698	1	380698	1
*4A	WIRE HARNESS, MAIN	350265	1	350265	1
*4B	WIRE HARNESS, BLOWER	350266	1	350594	1
*4C	WIRE HARNESS, J-BOX	-	-	350593	1
5	BAFFLE, SIDE CASING	18161	2	18161	2
6	AUX LIMIT SWITCH	350263	1	350263	1
8A	LIMIT SWITCH	350264	1	350264	1
8B	LIMIT COVER	19146	1	19146	1
8C	LIMIT SHIELD	19144	1	19144	1
9	CASING, BACK	628618-3	1	628618-3	1
10	SIDE CASING, RIGHT BOTTOM	628617-3	1	628617-3	1
11	SIDE CASING, LEFT TOP	628616-3	1	628616-3	1
12	END, RETURN AIR	618180-3	1	618180-3	1
13	BLOWER SUB-ASSEMBLY	S00S4206	1	S00S4573	1
*13A	BLOWER HOUSING w\ WHEEL	S00S4143	1	S00S4509	1
*13B	MOTOR	AOPS7652 (w\CAP)	1	350256	1
13C	CAPACITOR	350073	1	-	-
13D	OIL FURNACE CONTROL	AOPS8380	1	-	-
13E	TRANSFORMER	350464	1	350464	1
*13F	MOTOR BRACKET ASSEMBLY	AOPS7670	1	AOPS7670	1
*13G	BLOWER WHEEL	340083	1	340124	1
*13H	16x4 BOX, PROGRAMMED	-	1	AOPS7767	1
*13J	WIRE HARNESS, 16x4 BOX	-	1	350259	1
*13K	WIRE HARNESS, MOTOR CONTROL	-	1	350849	1
*13L	WIRE HARNESS, MOTOR POWER	-	1	350850	1
*13M	FAN CONTROL	-	1	350393	1
*13N	INDUCTOR	-	1	350856	1
*13P	RELAY	-	1	350528	1
14	SIGHT GLASS BRACKET	18185	1	18185	1
15	GASKET, FLUE	330005	1	330005	1
16	DRAW COLLAR	14131	1	14131	1
17	BURNER, BECKETT AFG EFL401	380832	1	380832	1
20	PANEL, FRONT	619135-11	1	612245-11	1
*21	TERMINAL BOARD	-	1	350944	1
24	DOOR, BLOWER ACCESS	617804-4	1	617804-4	1
25	DOOR HANDLE PACKAGE	AOPS7578	1	AOPS7578	1
27	DRAFT CONTROL	370190	1	370190	1
28	GASKET, BURNER MOUNTING PLATE	330180	1	330180	1
29	BURNER MOUNTING PLATE	27802	1	27802	1
30	PYREX SIGHT GLASS	330081	1	330081	1
31	GASKET, SIGHT GLASS	330098	1	330098	1
32	COMBUSTIBLE FLOOR BASE	BAYSUB10ABASEA	1	BAYSUB10ABASEA	1
33	GASKET	330185	2	330185	2
34	TRIM PLATE	617945	2	617945	2
35	HX CLEANOUT ASS'Y	S00S4481	2	S00S4481	2

EFL 401 AFG BURNER PART# 380832

Replacement parts



MODEL	NOZZLE SIZE	PART #
	.60 80° A	380398
	.75 80° A ¹	380366
	.85 80° A	380381
	1.0 80° A	380368

ITEM	DESCRIPTION	BECKETT PART #	TP PART #
1	BURNER HOUSING ASSY.	5874GY	
2	AIR BAND ASSY. 8 slot set @ 0	5151501	
3	AIR SHUTTER set @ 8	3709U	380289
4	ESCUTCHEON PLATE SCREW	3493	
5	HOLE PLUG		
6	AIR GUIDE	31231U	
7	LOW FIRING RATE BAFFLE	5880	
8	*PUMP 130 PSI *SOLENOID	21844 21755	380674 380654
9	VALVE CORD SET	21807	380653
11	PUMP ELBOW	2256	320815
12	CONNECTION TUBE	5394	380107
13	*MOTOR 1/7 HP 3450 RPM	21805E	380644
14	BLOWER WHEEL 4 1/4 X 2 7/16 TAB	2999	380271
15	*COUPLING	2454	380241
16	*PRIMARY CONTROL R7184B	7456	350431
17	ELECTRICAL BOX	3741	
18	*IGNITER W/ GASKETS	51771U	380645
19	IGNITER GASKET KIT		
20	*CAD CELL w/ Socket C554A1919	7006Q	350104
21	FLANGE GASKET	3634BK 3616	380265 380270
22	AIR TUBE COMBINATION BLAST TUBE ONLY	AF57XNSS	380690
23	HEAD F3	360003	380260
24	ELECTRODE NOZZLE ASSY *ELECTRODES PAIR STATIC PLATE, 2 3/4 U	5780 3383	380269 380330
25	SPLINED NUT(BULKHEAD NUT) BULK HEAD FITTING	3666 3488	320121 320120

¹ NOZZLE SHIPPED INSTALLED IN BURNER