

Jones Stephens PEXALGAS® Installation Instructions

ATTENTION!

The installation of Jones Stephens PEXALGAS® piping must be performed by an installer that meets applicable qualifications as required by the state and local administrative authority administering the provisions of the code where the gas piping is installed.

All systems using Jones Stephens PEXALGAS piping shall be designed and installed according to the requirements of this guide.

Installation shall be in accordance with local codes, or in their absence, in accordance with the National Fuel Gas Code ANSI Z223.1 in the USA, and CAN/CGA - B149.1 & B149.2 in Canada. In cases where the requirements of this guide conflict with the local code, the local code must take precedence, unless the local authority having jurisdiction approves a variance, or change.

Inspection, testing, and purging shall be performed according to the procedures in Part 4 of the National Fuel Gas Code, ANSI Z223.1, and CAN/CGA - B149 installation Codes or in accordance with local codes.

This system and related components (pipes, fittings, and tools included in the Jones Stephens PEXALGAS® catalog) shall be used only in gas piping systems where the operating gas pressure does not exceed 72.5 psi (5 bar).

Piping may be buried underground, but appropriate bedding is required as per instructions provided in the Underground Installation section.

The installation of Jones Stephens PEXALGAS in solid floor should be in accordance with IRC section G2415.8 and IFGC section 404.8.

The PEXALGAS® pipe is typically routed:

- Beneath, through and alongside floor joists
- Inside interior wall cavities
- On top of ceiling joists in attic space

The PEXALGAS® pipe does not have a fire rating for runs through plenums that is required by most building codes. If your building code requires products to have a certain rating established by the ASTM E84 testing specification, then PEXALGAS® shall not be installed through a plenum.

Carefully unwind and route the piping from the reel to the required location, making certain not to kink, tangle or apply excessive force.

Piping end shall be temporarily capped or tape closed prior to installation to prevent contamination from foreign material from entering.

When installing Jones Stephens gas piping avoid sharp bends, stretching, kinking, twisting, or contacting sharp objects. The tubing shall be replaced if damage occurs.

IMPORTANT - READ ENTIRE MANUAL

This document is the sole property of Jones Stephens. It shall not be copied or reproduced without the prior permission of Jones Stephens.

INTRODUCTION

USER WARNINGS

The use of fuel gas can be dangerous. Special attention must be given to the proper design, installation, testing and application of the gas piping system. Sound engineering practices and principles must be exercised, as well as diligent adherence to the proper installation procedures to ensure the safe operation of the piping system. All installed systems must pass customary installation inspections by the local building official have authority prior to being placed into service. This document is intended to provide the user with general guidance when designing and installing a Jones Stephens piping system, its components are not interchangeable with other gas tubing systems. Interchanging components with gas piping systems from other manufacturers is not allowed and may result in serious bodily injury and property damage. When local gas or building codes impose greater requirements than this document, you should adhere to the local code requirements. Performance of accessory devices, such as pressure regulators and shut off valves, should be reconfirmed by contacting the accessory device manufacturer and receiving the latest technical data on sizing, installation, and performance.

Improper installation methods or procedures could lead to accidents such as explosions, fires, gas poisoning, asphyxiation, etc. This system shall be installed with strict adherence to this guide as well as local building codes. All installed systems must pass installations inspections by the authorized local building official prior to being placed into service. Jones Stephens shall have no responsibility for any misinterpretation of the information contained in this manual or any improper installation, repair work, or deviation from the procedures recommended in this manual, whether pursuant to local building codes or engineering specifications.

Jones Stephens PEXALGAS piping components shall not be used with other PEX-AL-PEX piping systems from other manufacturers.

Jones Stephens piping shall be used only in gas piping systems where the operation gas pressure does not exceed 72.5 psi (5 bar). Accessories for systems shall be rated for the operating gas pressure used. Thus, for example, accessories for 25 psi systems shall be rated for 25 psi service. Performance of accessory devices, such as pressure regulators and shut-off valves should be reconfirmed by contacting the accessory device manufacturer and receiving the latest technical data on sizing, installation, and performance.

A gas delivery system consisting of Jones Stephens piping offers significant advantages over other gas delivery systems because of its wall dimensions and design. In contrast to copper or rigid steel pipe, Jones Stephens piping does not require intermediate joints in most installations because the piping is capable of being installed in one continuous run, reducing not only the total number of joints, but also the potential for leaks at joints. Jones Stephens piping's flexibility also affords more installation options because an installer can avoid existing obstacles, and it eliminates repetitive measuring, cutting, threading and joint assemble that are common with rigid piping systems. Jones Stephens piping's flexibility offers further safety advantages in geographic areas that are prone to seismic activity because the tubing provides greater flexibility to withstand certain movement of the ground or structural shifts. Jones Stephens fittings are insulated to eliminate metal to metal contact between pipe and fittings. To maximize protection of the entire structure from lightning damage, installation of a lightning protection system shall be installed per NFPA 780 and other standards, particularly in areas prone to lightning. Note that lightning protections systems set forth in NFPA 780 and other standards go beyond the scope of this manual. Users of Jones Stephens piping systems shall consider all the limitations and benefits of Jones Stephens piping systems for their particular situation.

LIMITATION OF MANUAL

This document is intended to aid the user in the design, installation and testing of Jones Stephens piping systems to distribute fuel gas in residential housing units and commercial structures. It would be impossible for this guideline to anticipate and cover every possible variation in housing configuration, appliance loads and local restrictions. Therefore, there may be applications which are not covered in this manual. For applications beyond the scope of this guide, contact Jones Stephens. The techniques included within this guide are recommend practice for generic applications. These practices must be reviewed for compliance with all applicable local fuel gas and building codes. Accordingly, where local gas or building codes impose greater requirements than this manual, you should adhere to the local code requirements. This system and related components (pipes, fittings, and tools included in the Jones Stephens PEXALGAS® catalog) should only be used as fuel gas piping where the operation gas pressure does not exceed 72.5 psi (5 bar).

LISTING OF APPLICABLE CODES AND STANDARDS

Jones Stephens Gas Piping System complies with the following codes:

- 2024, 2021, 2018, 2015, 2012 and 2009 International Fuel Gas Code® (IFGC)
- 2024, 2021, 2018, 2015, 2012 and 2009 International Residential Code® (IRC)
- 2024, 2021, 2018, 2015, 2012 and 2009 Uniform Plumbing Code® (UPC)

Jones Stephens Gas Piping System complies with the following standards as certified by the ICC-ES PMG-1588 certificate:

- ASTM F1281 Standard Specification for Cross-linked Polyethylene/Aluminum/Cross-linked Polyethylene
- ISO17484 Specification for Multilayer pipe systems for indoor gas installations
- AS 4176.8-2010 Metal-Plastic Multilayer Pipes and Brass Fittings for Conveying Combustible Gases in Systems in Pressure up to 5 bar
- NFPA54-2024 National Fuel Gas Code

DESCRIPTION OF SYSTEM AND COMPONENTS

PIPING

The Jones Stephens PEXALGAS® Gas Piping System has been engineered, tested, and certified to meet the performance requirements of American Fuel Gas systems. As such is acceptable for use with all recognized fuel gases, including natural gas and propane (LPG).

The Jones Stephens PEXALGAS system combines the positive features that are typical of crosslinked polyethylene PEX-b and also those of aluminum; crosslinked polyethylene PEX-b offers excellent mechanical, physical and chemical properties and the butt-welded aluminum pipe strengthens mechanical resistance introducing excellent characteristics of flexibility and malleability, fundamental features for accelerating and simplifying installation operations.

The result is a product that is composed of different layers of material, connected to each other, that allows excellent properties to be reached that otherwise would not be possible with a pipe made of one single material.

The Jones Stephens Gas Piping system is certified for systems with working pressures up to 72.5 psi.

Attention: Do not store or install PEXALGAS® exposed to direct sunlight.

FITTINGS

Jones Stephens Crimp Fittings is a system of crimp fittings suitable for a variety of applications. By using a portable crimping machine equipped with a suitable jaw, the pipe is shaped around the fitting insert. Even in the presence of temperature fluctuations, the joint remains perfectly gastight and cannot be loosened thanks to the stainless-steel sleeve that covers the portion of pipe in contact with the insert. The sleeve has inspection holes to verify the correct insertion of the pipe on the fitting.

The PEXALGAS® Crimp Fittings require the use of Jones Stephens approved PEXALGAS® crimping jaws or the Jones Stephens PEXALGAS® manual crimper, designed specifically for Jones Stephens PEXALGAS® systems.

PROTECTION DEVICES:

Protective devices are to be used when piping passes through studs, joists, or other building materials that limit or restrict the movement of the flexible piping making it susceptible to physical damage from nails, screws, drill bits and other puncture threats.

- Striker plates (hardened steel Gauge 16) to be attached directly to studs and joists.
- Strip wound metallic conduit shall be used in locations where additional protection may be required.

PRESSURE REGULATORS:

Required to be used to reduce elevated pressure, over 14 inches water column (1/2 PSI), to standard low pressure required for most appliances.

DESCRIPTION OF SYSTEM AND COMPONENTS

MANIFOLDS:

- Multiport gas distribution manifolds supply multiple gas appliances in parallel arrangement from a main distribution point.
- Multiple sizes and configurations ranging in female NPT sizes with 3, 4 and 6 port cross manifold configurations.

SHUTOFF VALVES

Used to control the gas flow. Ball valves shut off the gas supply at appliances, manifolds, & regulators. Valves can be utilized at manifold locations reducing the number of joints due to the integrated fitting connection.

SYSTEM OVERVIEW

INTRODUCTION:

The following section will be used to assist you while you design and size your Jones Stephens PEXALGAS system. At any point in which you require further assistance with this process you can visit our webpage (Pexalgas.com) or contact Jones Stephens.

It is required by this standard to provide installation instructions which include proper sizing tables and methods of sizing.

SYSTEM DESIGN

In order to properly design a fuel gas piping system, you must first recognize all the important criteria. Requirements for a proper system design include:

- Verify your system meets all local codes. When local codes conflict with the manufactures guidelines the local codes must always take precedence.
- Determine the supply pressure coming from the meter by means of a gauge or a rating supplied by the gas company.
- Determine your total system demand for all appliances as well as the largest single load.
- Prepare a floor plan sketch with the load and length combinations for all appliances.
- Determine your allowable pressure drop.

NOTE:

Please note that Jones Stephens sizing tables refer only to the pipe without including any other losses. Sizing must be done in accordance with NFPA 54 (National Fuel Gas Code), using the pressure losses from both the PIPE and the FITTINGS sizing tables to allow a more accurate sizing of the system for your installation.

When choosing a pressure drop to size a Jones Stephens PEXALGAS system the minimum operating pressure of the appliance must be considered. Choosing a pressure drop that will reduce the supply pressure below the minimum operating pressure of the appliance will cause the appliance to perform poorly or not at all.

GENERAL INSTALLATION PRACTICES

ATTENTION:

JONES STEPHENS PEXALGAS® GAS PIPING SYSTEM IS AN ENGINEERED FUEL GAS PIPING SYSTEM AND AS SUCH, THE TUBING AND FITTINGS ARE NOT INTERCHANGEABLE WITH OTHER PEX-AL-PEX MANUFACTURER'S PRODUCTS. THE USE OF OTHER PEX-AL-PEX PRODUCTS WITH THE JONES STEPHENS GAS PIPING SYSTEM IS PROHIBITED.

- A. All System hardware should be stored in its original package in a clean dry location prior to installation. Care must be taken to ensure the PEXALGAS® piping is not damaged prior to installation.
- B. Piping ends shall be temporarily capped or tape closed prior to installation to prevent contamination from foreign material from entering.
- C. PEXALGAS® piping exposed to extreme low temperatures shall be allowed to come up to room temperature prior to installation and all the related activities such as uncoiling, bending, cutting, chamfering, and/or connecting to fittings. Once installed, PEXALGAS® piping is able to withstand low temperature conditions, down to -40°F (-40°C).
- D. Care must be taken to not kink, tangle, twist, stretch or apply excessive force to the piping or fittings. The Jones Stephens Gas Piping is a flexible piping system and can be bent during installation around obstructions. Avoid stressing the tubing with tight bends. Refer to the table for the recommended bend radius.

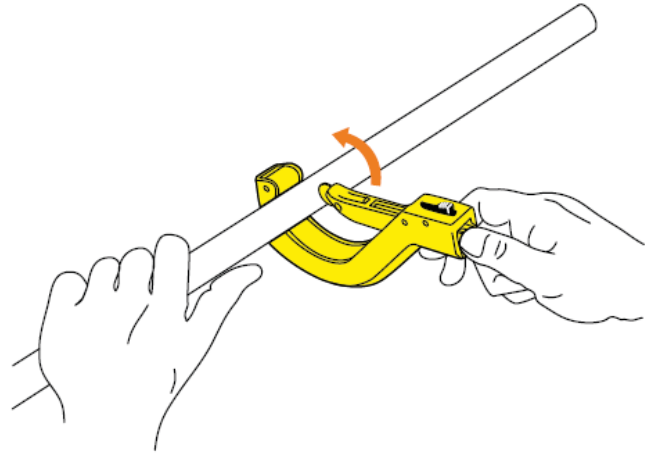
PIPE SIZE (mm)	*EQ. PIPE SIZE (in)	MINIMUM BEND RADIUS
16	3/8	2"
20	1/2	3"
26	3/4	3"
32	1	5"

- F. When installing in, through or around sharp metal structures (i.e. metal studs, sheet metal, I-beams), rubber grommets or protective tubing should be used to prevent any direct contact which could subject the piping to damage.
- G. Tubing should be supported in a workman like manner with metallic pipe straps, bands, brackets, hangers or building structural components suitable for the size of piping support intervals are not to exceed those shown in the table below (see table under the Horizontal Run section on page 9). A proper support is one which is designed to be used as a pipe hanger, does not damage the piping during installation, and provides full support of the tubing once installed. Plastic zip ties or cable ties are not to be used as the primary support for the PEXALGAS® tubing.
- H. PEXALGAS® MPT/FPT adapter fittings shall be used to transition to Black Iron Pipe or other gas piping systems through NPT threaded pipe connections.

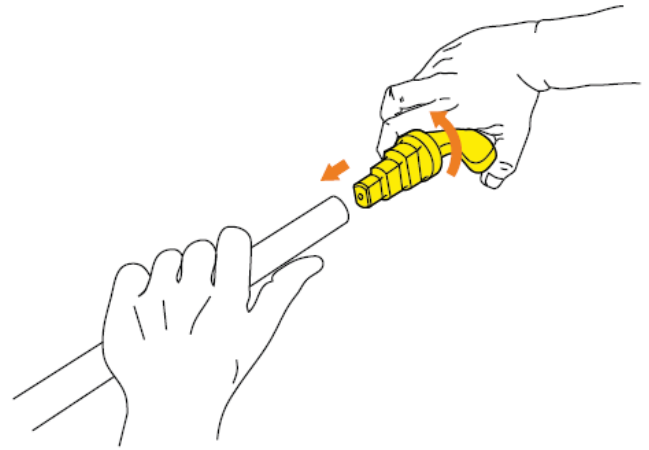
*Eq. = closest US equivalent size

FITTING ASSEMBLY

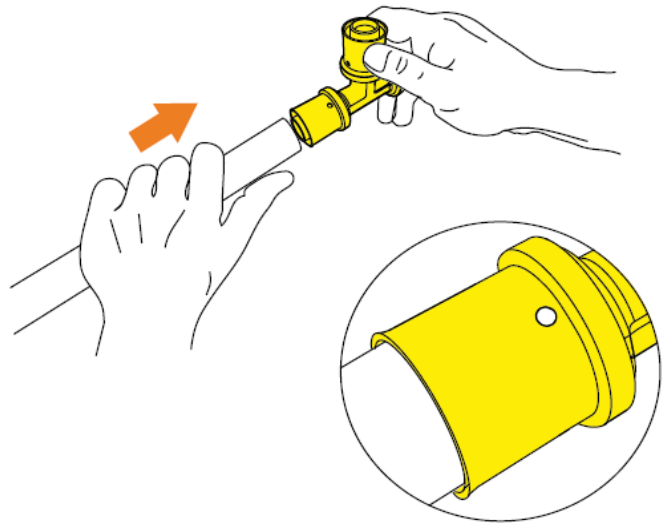
1. Cut the pipe at a right angle using a suitable tubing cutter. Make sure the blade is sharp and in good condition to avoid damage to the pipe. Rotate pipe cutter while applying pressure. Do not apply excessive pressure to reduce ovalization.



2. Calibrate and chamfer the pipe to obtain a perfectly round inner circumference of the pipe. Always make sure that the reamer has no dents or damage as they would damage the pipe and compromise the seal.

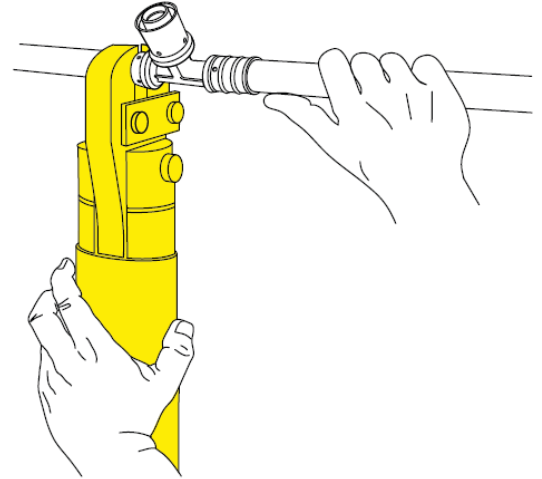


3. Insert the fitting on the pipe checking through the sleeve inspection holes that the pipe has been properly inserted. Remove any residual material left inside the pipe.

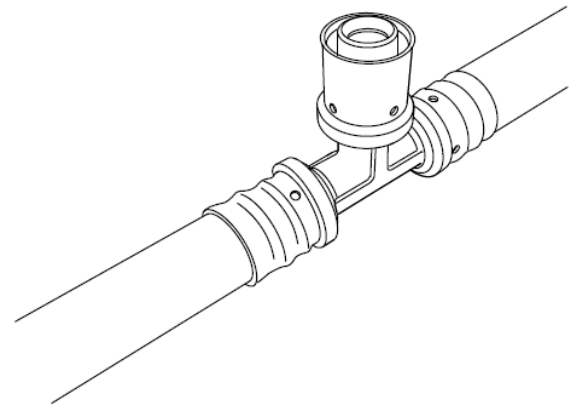


- For crimp machines: Position the crimping machine so that the crimping jaw is aligned and in position with respect to the body of the fitting and tighten by pressing the start button on the crimping machine (for more details refer to the instructions supplied with the crimping machine). Use crimping jaws provided by Jones Stephens whose crimping profile (TH) is compatible with the fitting that you are installing.

For manual crimper: position the manual crimper so that the crimping jaw is aligned and in position with the respect of the body of the fitting and close the tool completely until it clicks (for more details refer to the instructions supplied with the tool).



- Remove the crimping jaw and verify through the metal sleeve inspection holes that the pipe has remained fully inserted during the whole connecting process.



NPT THREADED CONNECTIONS

Use Teflon (PTFE) tape or pipe thread sealants is acceptable if needed. Wrap PTFE tape clockwise 3-4 times. Apply thread sealant starting at the opening of the fitting that is significantly thick enough to fill the grooves of the first half of the thread only. The proper method of assembling tapered threaded connectors is to assemble them finger tight and then wrench tighten further to the specified number of turns from finger tight (T.F.F.T.) given in the table. Tightening torque should not exceed the values listed in the table below.

CONNECTION SIZE (NPT)	T.F.F.T.	MAXIMUM TORQUE (ft-lb)
1/2"	2-3	30
3/4"	2-3	37
1"	1.5-2.5	52

Do not use Teflon tape or thread sealant on any Jones Stephens PEXALGAS® crimp connections. Ensure thread sealant does not contact pipe or remain inside the fittings.

Fittings should not be rotated after they are crimped to the pipe.

FLOOR/WALL MOUNTING FITTINGS

When using the Jones Stephens Wall/Floor Mounting fittings it is necessary to drill an adequately sized hole using a hole saw. Please reference the table below to choose the proper hole saw for the fitting being used.

FLOOR/WALL MOUNTING FITTING	HOLE SAW SIZE
16 mm x 1/2"	7/8" (22mm)
20 mm x 1/2"	1-1/8" (29mm)
20 mm x 3/4"	1-1/8" (29mm)
26 mm x 1"	1-3/8" (35mm)
26 mm x 3/4"	1-3/8" (35mm)
32 mm x 1"	1-3/4" (44mm)

TUBING ROUTING

VERTICAL RUNS

Vertical runs inside hollow wall cavities are the preferred location for installation of vertical sections. To avoid damage, tubing should be free to move within the wall cavity without immediate supports between floors but must be supported at the point of penetration between floors. Vertical run support spacing is not to exceed 10 feet, requiring hangers only where the height of each floor is greater than 10 feet. The run must conform to Protection Section of this manual.

HORIZONTAL RUNS

Areas beneath, alongside, or through floor and ceiling joists or other structural members are typical installation locations for both residential and commercial applications. Structural members may be considered supports for horizontal tubing if they meet the requirements as specified in the table below. The run must conform to Protection Section of this manual.

PIPE SIZE (mm)	*EQ. PIPE SIZE (in)	MINIMUM HANGER SPACING
16	3/8	40"
20	1/2	50"
26	3/4	60"
32	1	80"

*Eq. = closest US equivalent size

UNDERGROUND INSTALLATION

PEXALGAS requires a minimum burial depth of 18".

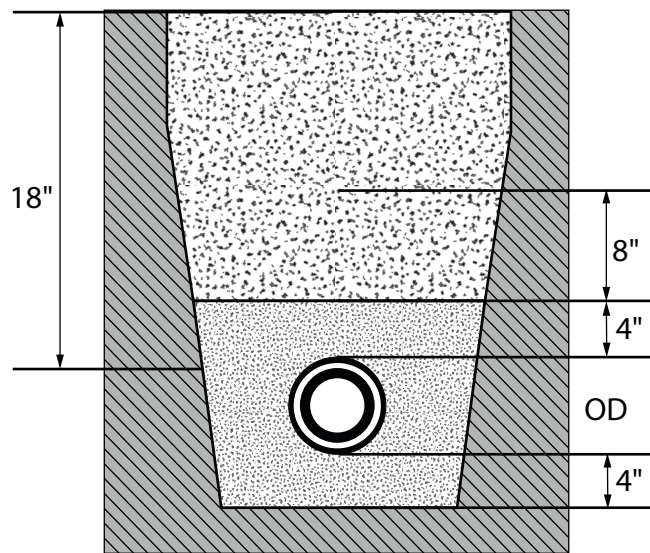
Underground, PEXALGAS must always be laid on a layer of sand or inert material (sieved with a particle size no greater than 0.1" - 2.5 mm).

A layer of fine sand at least 4" - 100 mm thick shall be laid on the bottom of the trench (leveled and free from stones); it is important that the layer is not too stiff and that it provides good support for the pipe.

Once PEXALGAS has been laid, then it shall be covered again with 4" - 100 mm of fine sand.

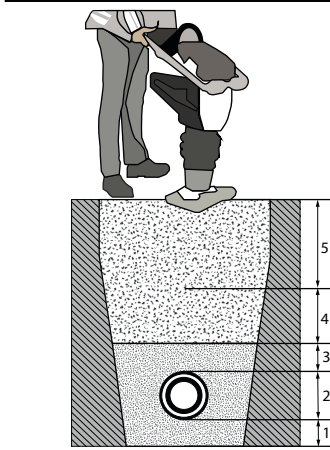
A 8" - 200 mm final layer of sand or sieved soil should be added and compacted mechanically using a light-duty compactor.

Lastly, up to ground level, compacted debris or soil can be used to backfill the trench.



If PEXALGAS can't be laid in fine sand as instructed above, piping shall be protected and installed in a conduit.

The conduit may be metallic or polymeric but shall be robust enough to protect piping from rocks and other debris.



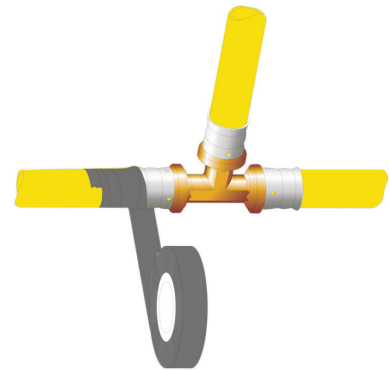
n°	Material	Height	Compaction
1	Fine Sand	4"	Manual
2	Fine Sand	Pipe diameter	Manual
3	Sand or sieved soil	4"	Manual
4	Sand or sieved soil	8"	Mechanical
5	Debris/Soil	Up to ground level	Mechanical

Jones Stephens does not recommend the burial of brass fittings, but if the fittings are buried underground and installed in particularly moist conditions and embedded in soil, they need to be protected. In such cases, the installer shall cover the fittings with self-joining bituminous tape or silicone tape.

Tracer wire shall be installed adjacent to the underground piping in accordance with IRC section G2415.17.3, IFGC section 404.17.3.

Gas piping shall not penetrate building foundation walls at any point below grade. Gas piping shall enter and exit a building at a point above grade and the annular space between the pipe and the wall shall be sealed, in accordance with IRC section G2415.6, IFGC section 404.6.

Underground piping, where installed through the outer foundation or basement wall of a building, shall be encased in a protective sleeve or protected by an approved device or method. The space between the gas piping and the sleeve and between the sleeve and the wall shall be sealed to prevent entry of gas and water, in accordance with IRC section G2415.6, IFGC section 404.6.



EXPANSION/CONTRACTION OF PIPING

The coefficient of linear expansion of PEX-AL-PEX is 0.00017 in / ft * °F). The hangers use the flexibility of the pipes to accommodate the expansion and contraction of the straight lengths of pipe of the Jones Stephens PEXALGAS® system. Use of rigid clamps require accommodation for liner expansion and contraction of pipe. There are several techniques that can be used.

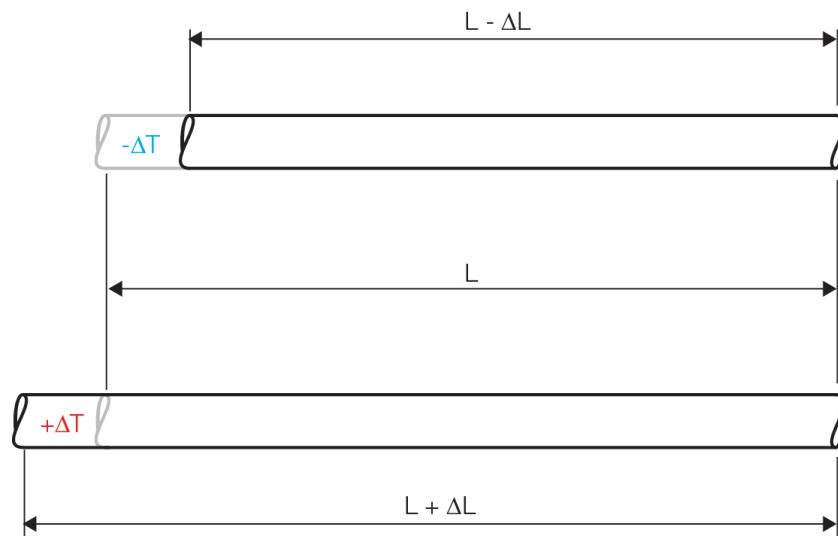
PRELIMINARY CONSIDERATIONS

All materials are subject to expansions or contractions, which are caused by the increase or decrease in temperature. The variation in length ΔL of a pipe of length L caused by a variation in temperature ΔT between the temperature at which the pipe was installed and the current temperature is given by:

$$\Delta L = \alpha \cdot L \cdot \Delta T$$

where, α is the coefficient of linear heat expansion of the material.

The following figure can be used to calculate the expansion or contraction of a pipe in relation to the difference in temperature to which it is subjected.



The prevention of such a variation in length in the material would generate a tensile stress (with $\Delta T < 0$) or a compression stress (with $\Delta T > 0$) given by:

$$\sigma = E \cdot \alpha \cdot \Delta T$$

where, E is the modulus of elasticity of the material.

When calculating expansions or contractions, the difference between the temperature at which the pipe was (or will be) installed and the maximum/minimum temperature expected when the system is operating, must always be taken into consideration.

The coefficient of linear expansion of PEX-AL-PEX is 0.00017 in / ft * °F).

The effects of heat expansion and contraction of plastic materials influence the methods of installation of gas supply systems, which require different rules according to the type of installation chosen (refer to the following sections for further details).

Example:

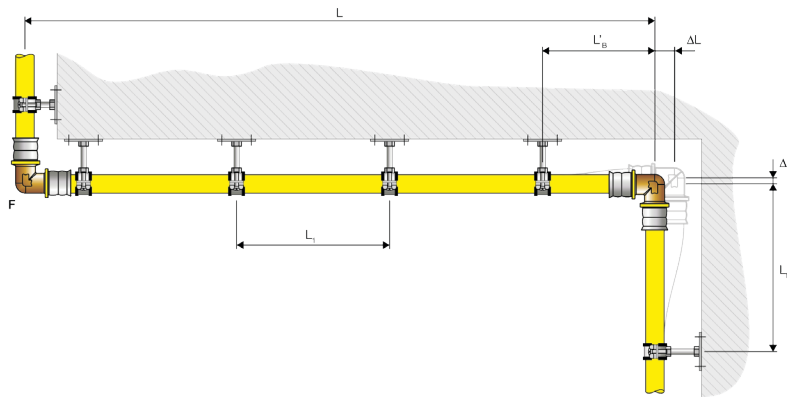
Calculate the linear heat expansion of a 26 ft PEXALGAS® pipe that is installed at a temperature of 50°F and is subject to a maximum temperature of 140°F.

By using the formula previously given and considering the heat expansion coefficient of PEX-AL-PEX, we have:

$$\Delta L = \alpha \cdot L \cdot \Delta T = 0.00017 \cdot 26 \cdot (140-50) = 0.40 \text{ in}$$

COMPENSATION USING A FLEXIBLE ARM (TYPE L)

This type of compensation avails of the changes of direction of the pipes; the segment of pipe (flexible arm) of length L_B accommodates the movement as a result of the thermal expansion of a segment of pipe of length L perpendicular to it. In this case, the correct distance of the pipe from the walls must be guaranteed to allow the movement, it is therefore necessary to install the brackets according to the structure of the flexible arm.



The length of the flexible arm L_B [in] is calculated using the formula:

$$L_B = C \cdot \sqrt{De \cdot \Delta L}$$

where C is the material constant, which for PEXALGAS® pipes is 33, De is the diameter of the pipe [in] and ΔL is the change in length of the segment of pipe to be accommodated.

Example:

Calculate the length of the flexible arm of a PEXALGAS® pipe with a diameter of 1" (32 mm) and a length of 160 ft that is installed at a temperature of 70°F and subject to a maximum temperature of 130°F.

The thermal expansion of the section of pipe is:

$$\Delta L = \alpha \cdot L \cdot \Delta T = 0.00017 \cdot 160 \cdot (130 - 70) = 1.63 \text{ in}$$

and, using the formula, the deflection arm L_B is calculated:

$$L_B = C \cdot \sqrt{De \cdot \Delta L} = 33 \cdot \sqrt{1.26 \cdot 1.63} = 47.29 \text{ in}$$

$$47.29 \text{ in} = 3.94 \text{ ft}$$

The same flexible arm (L_B) is subject to a heat expansion of:

$$\Delta L' = \alpha \cdot L_B \cdot \Delta T = 0.00017 \cdot 3.94 \cdot (130 - 70) = 0.04 \text{ in}$$

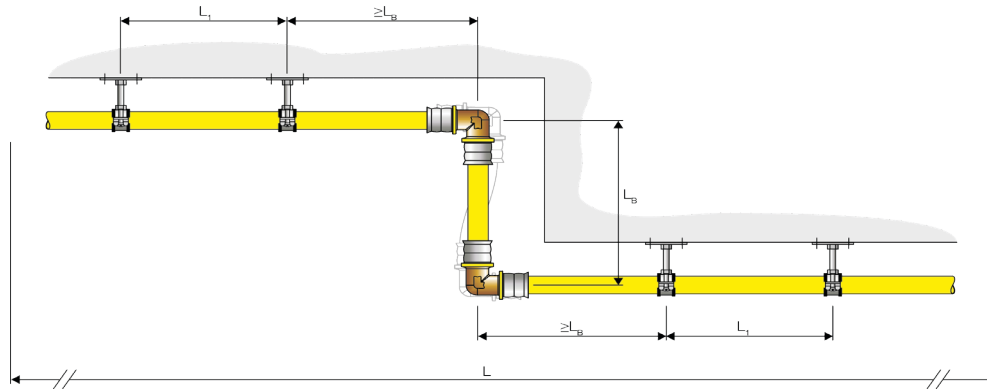
and requires therefore that part of the main pipe section is free to accommodate this expansion, the arm that is free to expand is:

$$L'_B = C \cdot \sqrt{De \cdot \Delta L'} = 33 \cdot \sqrt{1.26 \cdot 0.04} = 7.41 \text{ in}$$

COMPENSATION USING FLEXIBLE ARM MISALIGNMENT (TYPE Z)

This type of compensation avails of a misalignment of the pipe; the section of pipe (flexible arm) of length L_B accommodates the expansions of the pipe of length L perpendicular to it.

The distance between the flexible arm and the brackets must not be shorter than the length of the flexible arm L .



The length of the flexible arm L_B [mm] is calculated using the formula:

$$L_B = 0.65 \cdot C \cdot \sqrt{De \cdot \Delta L}$$

where C is the material constant, which for PEXALGAS pipes is 33, De is the pipe diameter [in], and ΔL is the change in length of the segment of pipe to be accommodated.

Example:

Calculate the length of the flexible arm misalignment of a PEXALGAS® pipe with a 3/4" (26 mm) diameter and a length of 130 ft installed at a temperature of 50°F and subject to a maximum temperature of 120°F.

The heat expansion of the section of pipe is:

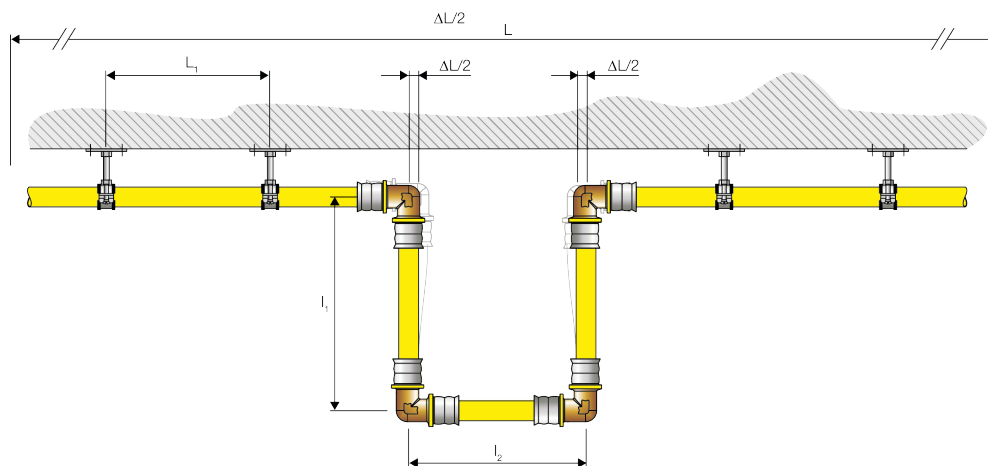
$$\Delta L = \alpha \cdot L \cdot \Delta T = 0.00017 \cdot 130 \cdot (120 - 50) = 1.55 \text{ in}$$

and, using the formula, the deflection arm L_b is calculated:

$$L_b = 0.65 \cdot C \cdot \sqrt{De \cdot \Delta L} = 0.65 \cdot 33 \cdot \sqrt{1.02 \cdot 1.55} = 26.97 \text{ in}$$

“OMEGA” EXPANSION BEND (TYPE U)

This type of compensation is generally employed in risers or in basement collectors when the expansions cannot be accommodated by the changes in direction of the pipes. Whereas in the case of deflection arm compensation, changes in direction of the system are used, in this case the configuration must be created especially.



The total length of the “omega” expansion bend L_b [mm] is calculated using the formula (also shown in the following diagram):

$$L_b = 2 \cdot l_1 + l_2 = C \cdot \sqrt{De \cdot \Delta L}$$

where, C is the material constant, which, for PEXALGAS pipes is 33, De is the pipe diameter [in], ΔL is the change in length of the pipe section to be accommodated, l_1 and l_2 are the sides of the “omega” expansion bend. The “omega” compensation must be configured depending on the available space; however, where possible, it is recommended to maintain the following dimensional ratio:

$$l_1 = 2 \cdot l_2$$

and therefore:

$$l_1 = 0.4 \cdot L_b$$

$$l_2 = 0.2 \cdot L_b$$

Example:

Calculate the “omega” expansion bend for the PEXALGAS® pipe section of diameter 1" (32 mm) and 82 ft length, installed at a temperature of 60°F and subject to a maximum temperature of 150°F.

The thermal expansion of the pipe section is:

$$\Delta L = \alpha \cdot L \cdot \Delta T = 0.00017 \cdot 82 \cdot (150 - 60) = 1.25 \text{ in}$$

and, using the formula, the total length is calculated for the “omega” L_b :

$$L_b = C \cdot \sqrt{De \cdot \Delta L} = 33 \cdot \sqrt{1.26 \cdot 1.25} = 41.49 \text{ in}$$

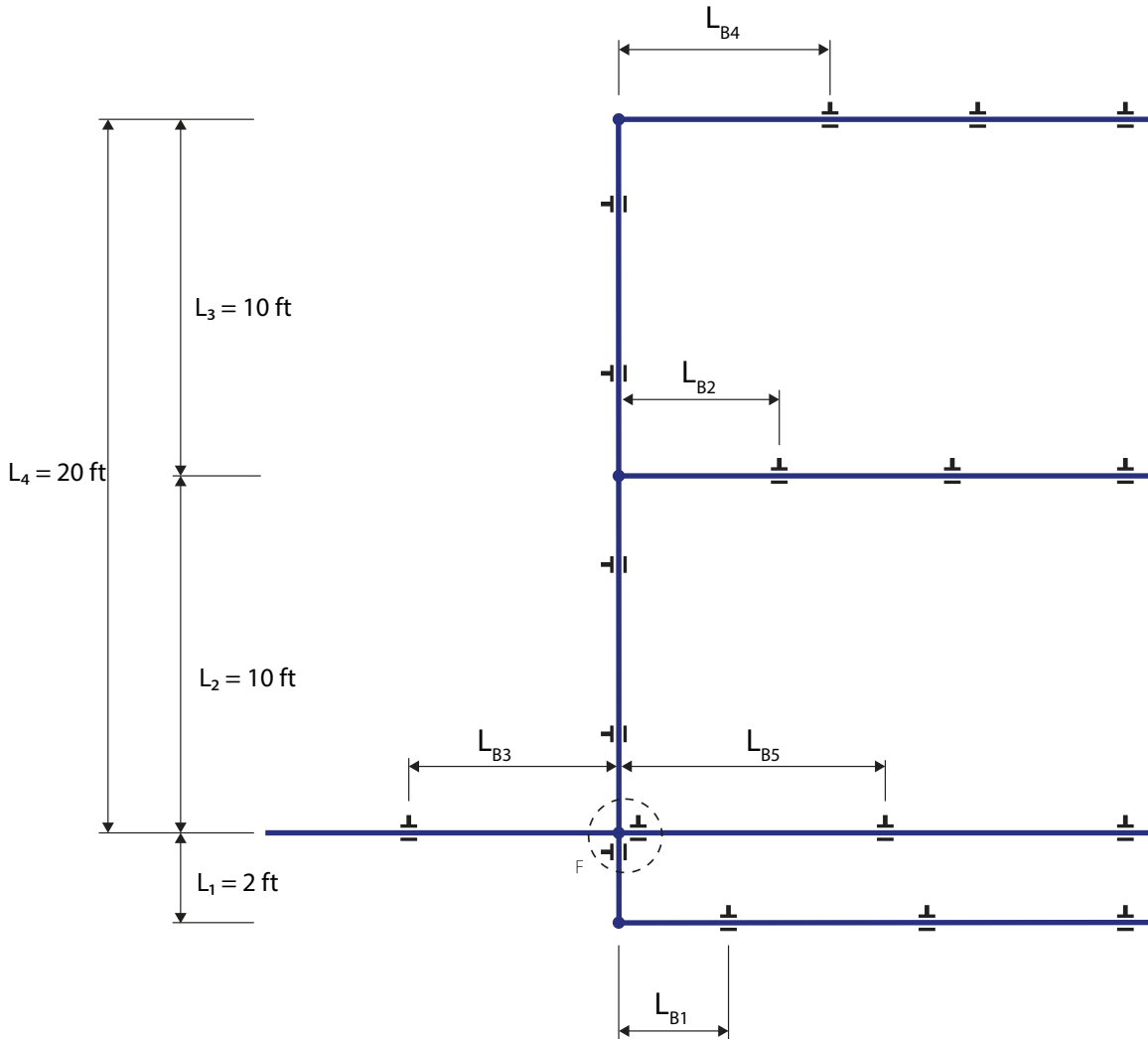
and considering the dimensional ratio suggested, the result is:

$$l_1 = 0.4 \cdot L_b = 0.4 \cdot 41.49 = 16.6 \text{ in}$$

$$l_2 = 0.2 \cdot L_b = 0.2 \cdot 41.49 = 8.3 \text{ in}$$

Example:

Calculate the flexible arms for the gas supply system indicated in the figure created with PEXALGAS® pipe, installed at a temperature of 50°F and subject to a maximum temperature of 140°F.



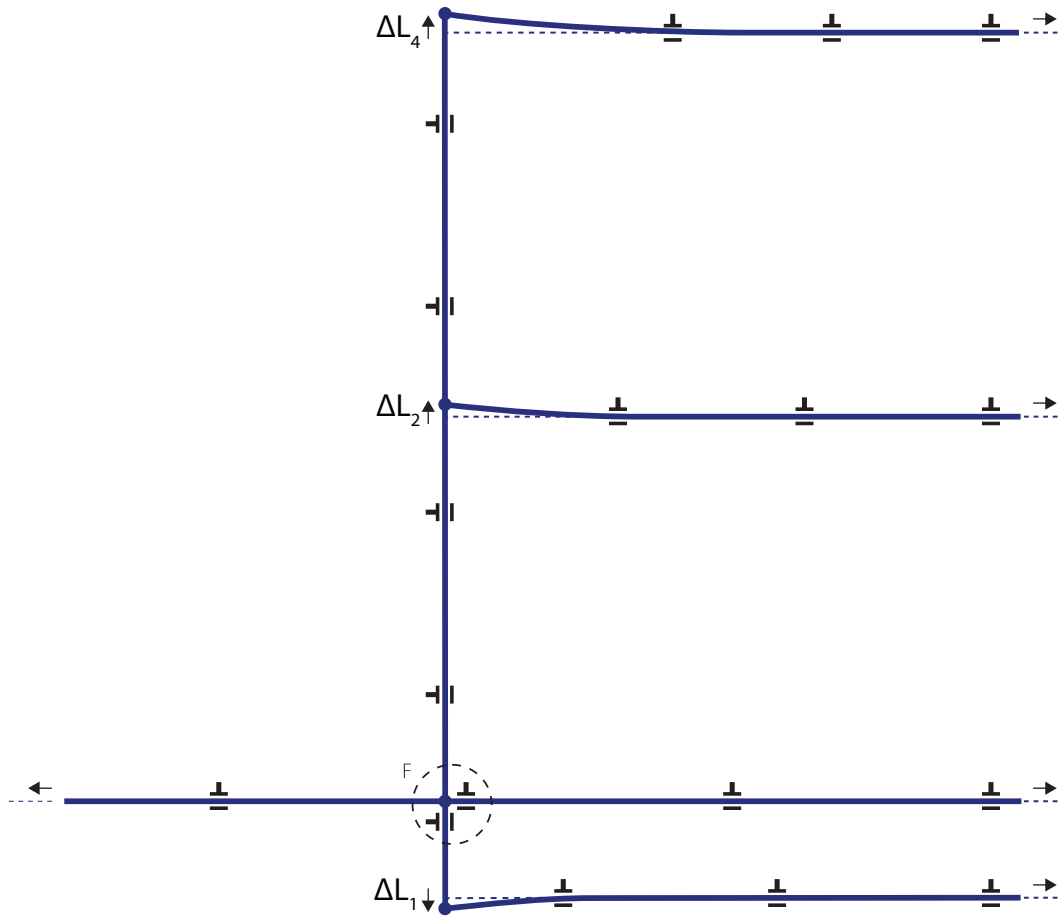
The pipe sections L_{B3} and L_{B5} are not subject to flexure due to the anchor point (F) near the cross branch.

The sections subject to flexure are:

L_{B1} which represents the flexible arm of section L_1 ,

L_{B2} which represents the flexible arm of L_2 ,

L_{B4} which represents the flexible arm of $L_4 = L_2 + L_3$.



The extensions of the above mentioned sections are:

$$\Delta L_1 = \alpha \cdot L_1 \cdot \Delta T = 0.00017 \cdot 2 \cdot (140 - 50) = 0.03 \text{ in}$$

$$\Delta L_2 = \alpha \cdot L_2 \cdot \Delta T = 0.00017 \cdot 10 \cdot (140 - 50) = 0.15 \text{ in}$$

$$\Delta L_4 = \alpha \cdot L_4 \cdot \Delta T = 0.00017 \cdot 20 \cdot (140 - 50) = 0.31 \text{ in}$$

which correspond to the following flexible arms: _____

$$L_{B1} = C \cdot \sqrt{(De1 \cdot \Delta L_1)} = 33 \cdot \sqrt{(1.26 \cdot 0.03)} = 6.42 \text{ in}$$

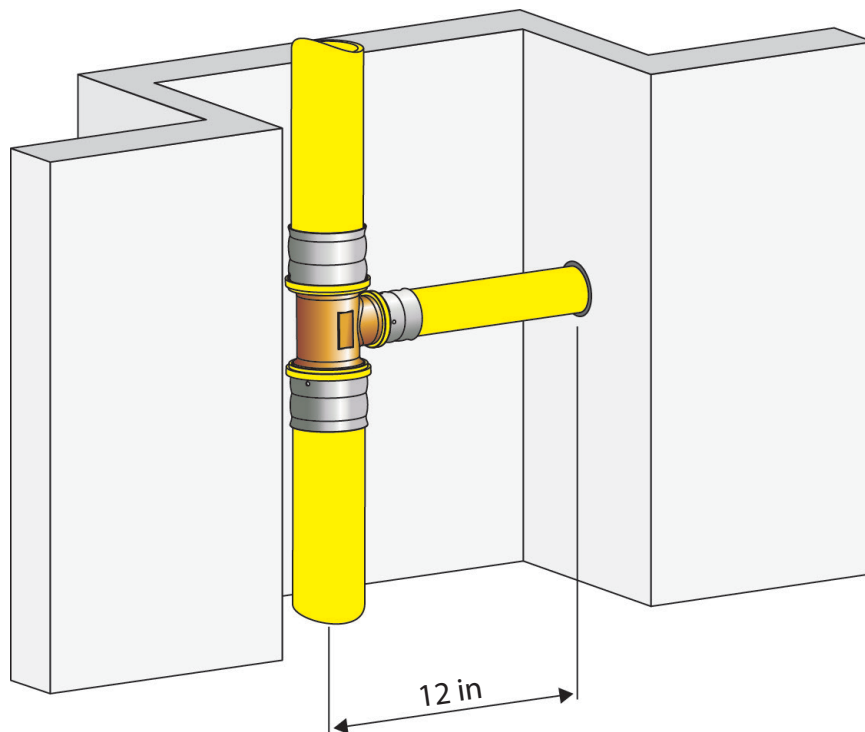
$$L_{B2} = C \cdot \sqrt{(De2 \cdot \Delta L_2)} = 33 \cdot \sqrt{(1.26 \cdot 0.15)} = 14.35 \text{ in}$$

$$L_{B4} = C \cdot \sqrt{(De4 \cdot \Delta L_4)} = 33 \cdot \sqrt{(1.02 \cdot 0.31)} = 18.56 \text{ in}$$

Example:

The figure shows a shaft in which a riser has been installed, subject to a thermal expansion near the branch of 20 ft.

Assess whether the change in direction made with a 1/2" (20 mm) PEXALGAS® pipe, is sufficient to accommodate such an expansion, keeping the geometries indicated in the figure in consideration.



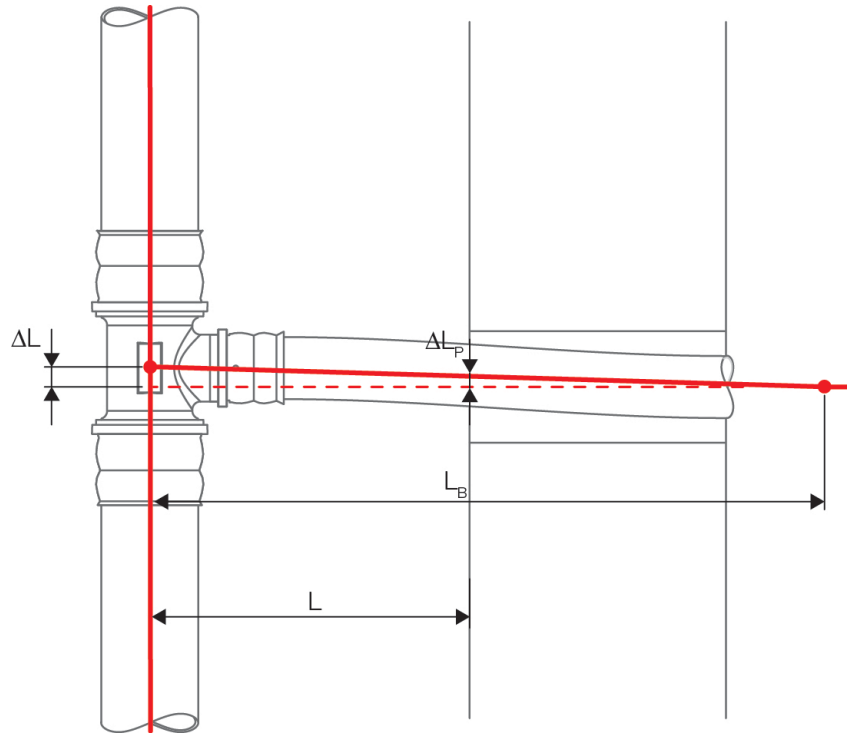
From the figure we can see that the available space for creating a flexible arm is $L=12$ in, which is the distance between the wall, through which the change in direction passes, and the riser.

You need to ensure that this distance is sufficient to allow the pipe to flex without it being damaged, it is therefore necessary to calculate the actual length of the flexible arm and assess whether this is less than the available space.

At the point indicated, the expansion $\Delta L = 0.25$ in, the length of the actual flexible arm is therefore:

$$L_b = C \cdot \sqrt{De \cdot \Delta L} = 33 \cdot \sqrt{0.79 \cdot 0.25} = 14.7 \text{ in} > 12 \text{ in}$$

Greater space is required to give the pipe sufficient room for movement; however, if the PEXALGAS pipe is installed with insulation where it passes through the wall, this could be capable of absorbing part of the flexure that the pipe exerts inside the wall itself. It is possible to calculate approximately the extent of the movement of the pipe inside the wall to verify whether the insulation can absorb the movement.



$$\Delta L_p = \Delta L * (L_b - L) / L_b = 0.25 * 2.7 / 14.7 = 0.046 \text{ in}$$

PROTECTION

INTRODUCTION

Jones Stephens piping shall be protected from physical damage caused by screws, nails, drill bits, etc. The piping is most susceptible to puncture at all points of support. The best practice is to install the piping in those areas where the likelihood of physical damage is minimized, and no protection is needed; for example:

- A. Where piping is supported to allow for a minimum displacement allowance of 3 inches, or exceeding the length of the fasteners used during construction, whichever is greater.
- B. Where any unsupported piping can be displaced in the direction of potential penetration at least 3 inches, or exceeding the length of the fasteners used during construction, whichever is greater.
- C. Where piping is supported under the joist in basements or crawl spaces and is not concealed by wall board or ceilings.

When Jones Stephens piping is installed in locations where the potential of physical damage exists, the use of Striker Plates, listed for gas piping, must be used. The tubing may also be routed inside strip wound conduit or schedule 40 steel pipe when protection is required.

In areas where penetration through studs, joists, plates, and other similar structural members occur striker protection is required when all of the following criteria apply:

1. When the piping system is installed in a concealed location and is not viewable.
2. When the piping system is installed in a location that does not allow free movement to avoid puncture threats
3. When the piping system is installed within 3 inches of possible points of penetration, or exceeding the length of the fasteners used during construction, whichever is greater.

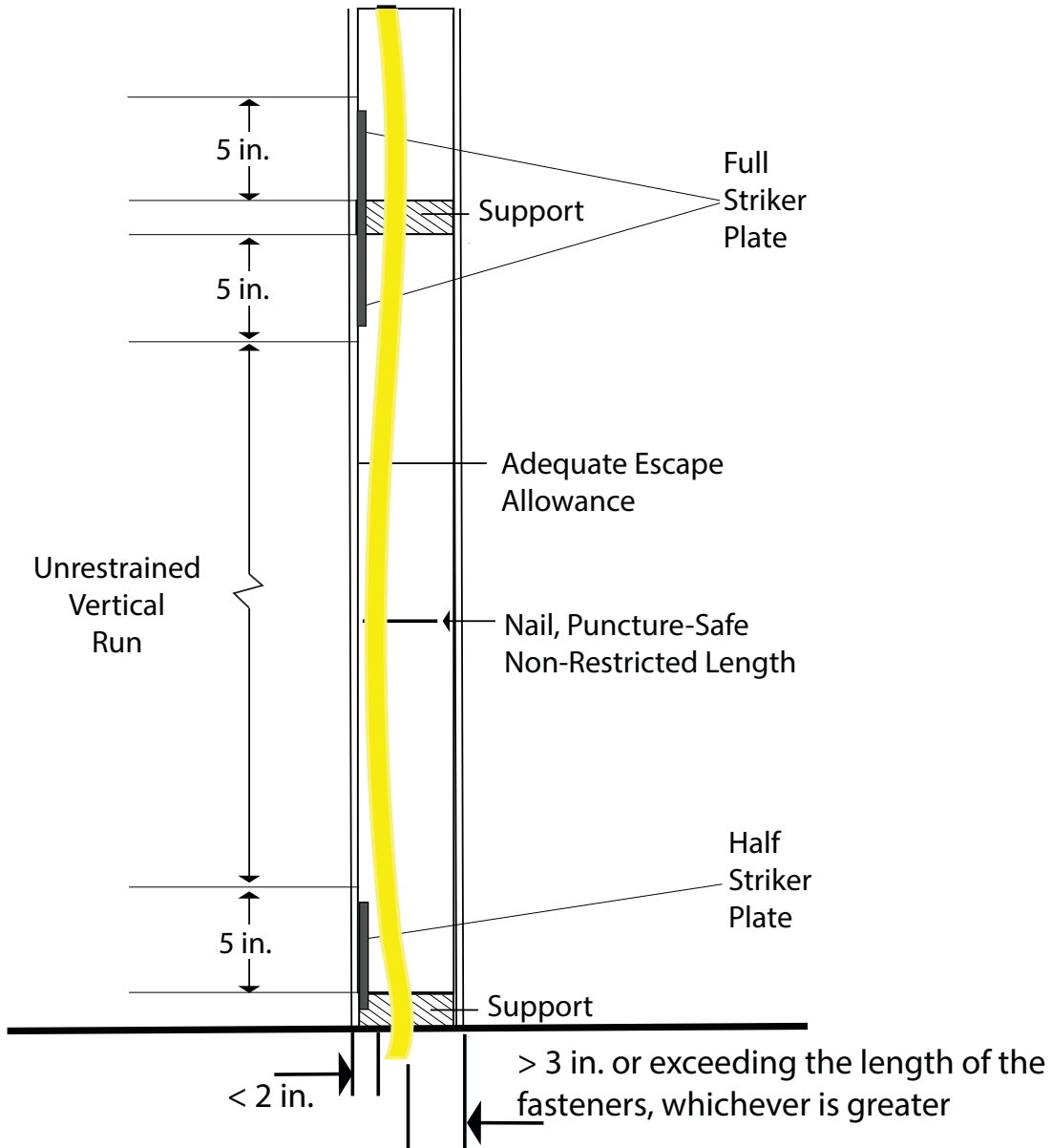
STRIKER PLATES

Striker plates are used to prevent piping damage in areas where potential penetration threats exist through studs, joists, plates, and other similar structural members. For installations where all three above criteria apply, PEXALGAS® tubing must be adequately protected from risk of puncture or physical damage at all points of penetration through studs, joists, plates, or similar structures using 16 gauge hardened steel striker plates in accordance with the requisite state and/or local fuel gas code.

STRIPWOUND METAL CONDUIT

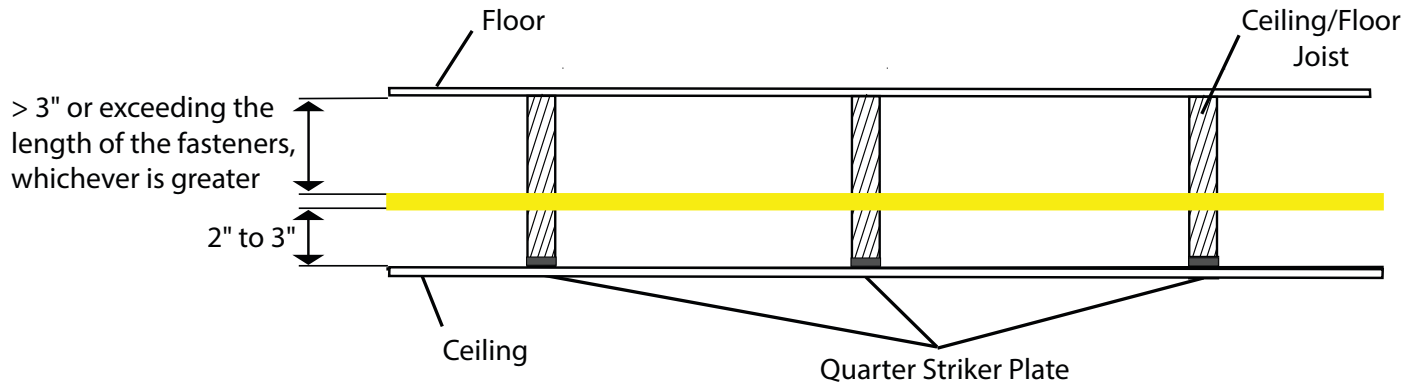
- A. At termination points not covered by ANSI specifications, stripwound metal conduit (heavy wall) shall be installed as additional protection.
- B. Strip wound metal conduit shall also be used to shield piping from puncture threats when the piping is installed in a concealed location where it cannot be displaced a minimum 3" (or exceeding the length of the fasteners used during construction, whichever is greater) from a potential puncture threat or the pipe run is restricted by constraints or intermediate support points which prevent free movement of the pipe.
- C. Schedule 40 steel pipe is an acceptable alternative for puncture protection. Steel pipe can be used where standard striker plates cannot reasonably be installed.

- A. At concealed support points and points of penetration less than 2 inches from any edge of a stud, joist, plate, etc., shielding is required at the area of support and extending 5 inches in one or both directions (if appropriate).

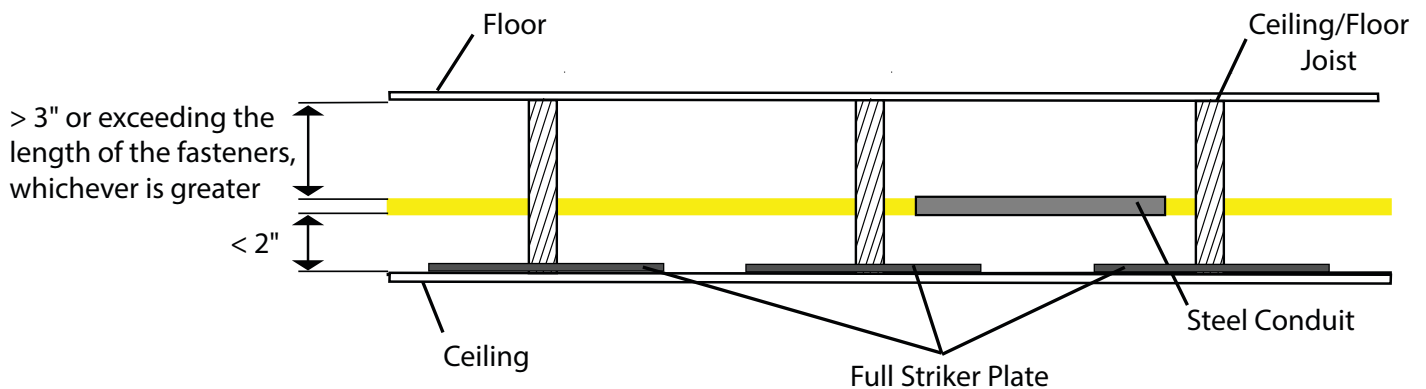


*Drawing is not to scale

- B. At concealed support points and points of penetration within 2 to 3 inches from any stud, joist, plate, etc., listed quarter striker plates are required at the area of support.



- C. Piping routed horizontally through structural members shall be protected from puncture threats with the appropriate shielding material. At penetration joints, listed stud guards of the appropriate size shall be utilized. Piping between constraints that are meeting the criteria requiring full striker plates, shall be additionally protected by stripwound metal-conduit, or schedule 40 steel pipe along the entire length.



- D. Piping greater than 32 mm nominal diameter (26 mm internal diameter) installed within a concealed hollow wall cavity of 2" x 4" construction shall be protected along the entire concealed run length with stripwound metal conduit, or schedule 40 pipe.
- E. Should an unfinished ceiling (i.e. basement) be covered at a later date, quarter striker plates should be replaced with appropriate protection devices that provide adequate protection for potential penetration threats.
- F. When installed along the side of a structure in an exposed condition, between the ground and a height of 6 feet PEXALGAS shall be installed in a location which will not subject the piping to mechanical damage or be protected inside a metallic conduit or protective enclosure.

*Drawings are not to scale

INSTALLATION IN INSULATED WALLS

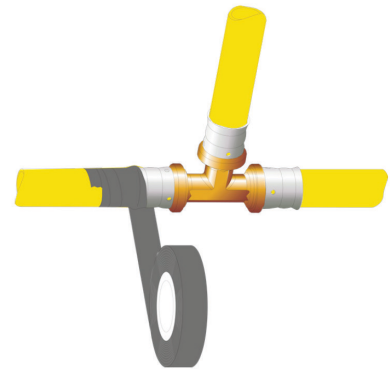
Rigid installations present significant puncture threats for Jones Stephens PEXALGAS® in concealed spaces.

In concealed spaces, e.g. wall cavities, rigid insulation will prevent Jones Stephens PEXALGAS® from being displaced. Piping shall not be installed in a wall cavity with foam insulation without additional protection as described below.

- A. Piping shall be routed through a rigid steel pipe or floppy conduit in walls where “foamed in” insulation is to be used i.e. rigid steel pipe or conduit. This conduit shall be secured according to local building practice.
- B. When pipe is fastened to the sheathing on exterior walls with cable clamps, the entire length shall be protected with steel pipe or floppy conduit.
- C. When piping is installed inside walls with batt insulation the tubing shall be routed between the face (craft paper/vapor barrier) and the wall surface. If installed in a concealed location within a minimum 3" from a potential puncture threat the run shall be protected with stripwound conduit or steel pipe.
- D. PEXALGAS® piping does not need additional protection where it is more than three inches from any puncture threats although consideration must be given to the chance that it may migrate toward penetration threats as the insulation is applied and during curing.

FITTINGS PROTECTION

If the fittings are installed in particularly moist conditions, embedded in soil, or subject to particularly aggressive compounds (such as concrete or cement mortars) they need to be protected. In such cases, the installer shall cover the fittings with self-bonding bituminous tape or silicone tape.



METER-CONNECTIONS

UNSUPPORTED METERS

- A. Meters which depend on the service and house piping for support shall not be directly connected to the PEXALGAS®.
- B. The use of an outdoor termination fitting mounted to the exterior of the structure, meter stub out, other rigidly mounted termination fitting, or transitioning to rigid black pipe are acceptable transitional methods.

SELF SUPPORTED METERS

- A. Meters which are independently supported by a bracket shall not be directly connected to the flexible gas piping.
- B. The use of an outdoor termination fitting mounted to the exterior of the structure, meter stub out, other rigidly mounted termination fitting, or transitioning to rigid black pipe are acceptable transitional methods.

APPLIANCE CONNECTIONS

MOVEABLE APPLIANCES

IMPORTANT: JONES STEPHENS PIPING AND FITTINGS ARE NOT RATED AS FLEXIBLE APPLIANCE CONNECTORS AND MUST NOT BE DIRECTLY CONNECTED TO MOVABLE APPLIANCES.

- A. When using Jones Stephens Gas piping with moveable appliances such as a ranges or dryers, the piping must be rigidly terminated before the appliance. Appliance stub outs, termination fittings or transitioning to rigid black pipe are acceptable means to terminate PEXALGAS® prior to the appliance.
- B. Final connection from PEXALGAS® termination point to a movable appliance shall be made with a flexible appliance connector or another approved connection device.

NON-MOVEABLE APPLIANCE

- A. Jones Stephens piping can be directly connected to a non-moveable appliance such as a furnace or water heater (be sure to check with local code if this is acceptable prior to installation).
- B. In this type of application, no termination fitting is required, and the piping should be terminated at the appliance shut off valve.

SPECIAL APPLICATIONS

Prolonged UV exposure due to direct sunlight is detrimental to all PEXALGAS®. Jones Stephens PEXALGAS® shall not be installed exposed in direct sunlight. For outdoor installations, special care must be provided that the PEXALGAS® is not left exposed to sunlight and special care shall be made to protect the piping system from accidental damage.

When installed along the side of a structure in an exposed condition, between the ground and a height of 6 feet PEXALGAS shall be installed in a location which will not subject the piping to mechanical damage or be protected inside a metallic conduit or protective enclosure.

INFRARED HEATERS

Infrared heaters mounted from ceilings and walls of structures shall be connected to the Jones Stephens gas piping system ANSI 383.6 "Standard for gas fired infrared heaters".

PAD MOUNTED GAS APPLIANCES

Gas appliances mounted on concrete pads or blocks, such as gas furnaces, air conditioners, pool heaters and NGV refueling systems, shall be connected to the Jones Stephens gas piping system at a termination fitting using either rigid pipe or an approved outdoor appliance connector. Pad mounted equipment (in most cases) is considered "fixed" if not moved for cleaning, maintenance, etc. (i.e. A/C units).

GAS FIREPLACES

ATTENTION: JONES STEPHENS GAS PIPING SHALL NOT BE ROUTED DIRECTLY INTO A METALLIC FIREPLACE ENCLOSURE. THE PIPING CONNECTION SHALL BE MADE OUTSIDE OF THE ENCLOSURE TO A SECTION OF RIGID METALLIC PIPE.

- A. When routing Jones Stephens Gas piping through masonry construction, for connection to gas fireplaces and gas logs, the piping is required to be sleeved in a nonmetallic conduit through the masonry structure. The annular space between the piping and sleeve should be caulked at both the interior and exterior locations.
- B. For any fireplace application where installation of Jones Stephens Gas piping is desired, a Fireplace Stubout shall be used to terminate the piping outside the enclosure. While other listed installation practices are acceptable this method is preferred to prevent inadvertent damage, that can be caused by the fireplace enclosure, to the PEXALGAS® system.
- C. Adherence to local codes and manufacturer's instructions are required, be sure to know and understand all requirements prior to installation.

PRESSURE REGULATORS & VENT LINE INSTALLATION GUIDELINES

A Jones Stephens Gas piping system utilizing gas line pressures above 1/2 psi are required to use a line pressure regulator upstream of the appliances to reduce the line pressure to less than 1/2 psi. The regulator shall incorporate construction which will "lock up" under no-flow conditions to limit the downstream pressure to not more than 1/2 psi. The guidelines below highlight requirements from most Fuel Gas Codes and are for your reference only. The regulator shall comply with a nationally recognized standard for pressure regulators. Installation of the regulator must be done in accordance with the manufacturer's instructions and local fuel gas code requirements.

Regulators used to reduce elevated system pressure for appliance use must also conform to the following:

Sized to supply the required appliance load.

Equipped with an acceptable vent limiting device, supplied by the manufacturer, or be capable of being vented to the outside atmosphere.

Installed in accordance with manufacturer's printed instructions.

Installed in an accessible location.

A CSA Design Certified shutoff valve must be installed upstream of the pressure regulator.

REGULATOR VENTING REQUIREMENTS

VENT LINES

Venting is required for all regulators to avoid a gas buildup in an enclosed area in the event that the regulator diaphragm ruptures. Vent lines should be properly sized per the manufacturer's instructions and installed to ensure proper operation.

VENT LINE INSTALLATION GUIDELINES:

The vent line shall not be smaller than the vent connected to the pressure regulator.

The recommended minimum size vent line for the regulator is 1/4" nominal ID copper tubing or other approved material. The maximum length installed for this size vent line should be less than 30 feet. Larger diameter vent lines can be used if necessary. In determining the proper size vent line for a particular installation, a test may be necessary with the vent line and regulator under normal use to ensure proper regulator operation. Consult with the regulator manufacturer for limitations of length and size of the vent line.

The vent shall be designed and installed to prevent the entry of water, insects or other foreign materials that could cause blockage.

Under no circumstances shall a regulator be vented to the appliance flue or building exhaust system.

VENT LIMITER OPTION:

Vent limiters are an alternate venting option available some regulators. When a vent limiter is desired all installation guidelines for the vent limiter and regulator must be followed to ensure proper operation of the unit.

VENT LIMITER INSTALLATION GUIDELINES:

Regulators must be installed in the horizontal upright position and in a well-ventilated area when using a vent limiter. Consult with local code before installation.

Only a vent limiter supplied by the regulator manufacturer may be used, no piping shall be installed between the regulator and vent limiting device.

Leak detection fluids may not be used on vent limiters as they can cause corrosion and operational failure. Remove the vent limiter and check the vent opening if a leaking diaphragm is suspected. Remember, regulators will "breathe" when regulating, creating a bubble - A leak will blow bubbles constantly. Do not leak test the vent limiter with liquid leak test solution. This action will contaminate the internal ball check mechanism or plug the breathing hole, resulting in erratic regulator operation.

Vent limiters shall not be used outside or anyplace where they are subject to damage from the environment. Vent protection devices shall be used in outdoor installations.

OVER PRESSURIZATION PROTECTION

Gas systems using pressures above 2 psi up to 5 psi must use OPD (Over Pressure Protection Devices).

PRESSURE TESTING AND INSPECTION PROCEDURE

The final installation is to be inspected and tested for leaks at 1 1/2 times the maximum working pressure, but not less than 3 psi, using procedures specified in Chapter 7 "Inspection, Testing and Purging" of the National Fuel Gas Code, NFPA 54/ANSI Z223.1. In Canada, refer to the applicable sections of the CAN/CGA - B149 Installation codes.

Maximum test pressures recommended - 40 PSI MAX.

Leak test solutions may cause corrosion to some types of material in the gas piping system. Use only non-corrosive leak check solutions. Water rinse after the test and thoroughly dry all contacted materials.

Do not connect appliances until after pressure test is completed.

Inspect the installed system to ensure:

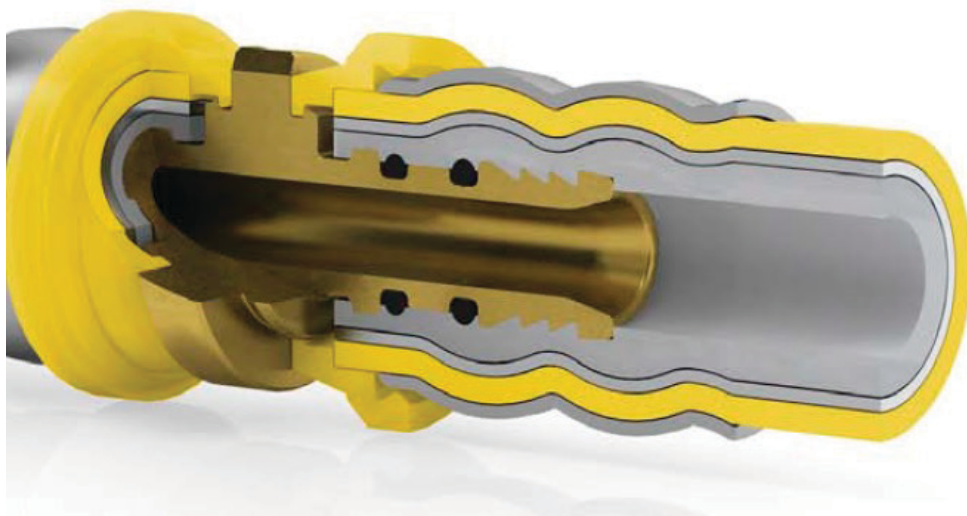
- Presence of listed stud guards and other protective devices at all required locations.
- Acceptable physical condition of the tubing.
- Presence of fittings (properly pressed).
- Correct regulator and manifold arrangement with proper venting requirements.
- All gas outlets for appliance connections should be capped during pressure testing.
- Pressure testing should be performed during rough construction of the facility (before interior walls are finished).
- This will permit a more complete inspection of the piping system during the pressure testing.

The elevated pressure system requires a two-part pressure test.

- The first part is performed on the elevated pressure section, between the meter connection and the pressure regulator.
- The second part is performed on the low-pressure section, between the pressure regulator and the individual gas appliance outlets.

ELECTRICAL BONDING

Jones Stephens PEXALGAS system crimp fittings dielectrically isolate the metal fitting from the internal aluminum pipe layer. As such, differently from other metallic gas piping, the PEXALGAS system is not likely to be energized and there are no additional bonding requirements imposed by the manufacturer's installation instructions for the Jones Stephens PEXALGAS system. However, installers must always adhere to any local requirements that may conflict with these instructions.



ALL OWNERS should consult a lightning safety consultant to determine whether installation of a lightning protection system would be required to achieve sufficient protection for all building components from lightning. Factors to consider include whether the area is prone to lightning.

Lightning protection systems are beyond the scope of this manual and installation guidelines, but are covered by National Fire Protection Association, NFPA 780, the Standard for the Installation of Lightning Protection Systems, and other standards.

Consult local building codes as to required separations for piping from such continuous metallic systems including metallic chimney liners, metallic appliance vents, metallic ducting and piping, and insulated or jacketed electrical wiring and cables.

SIZING TABLES

JONES STEPHENS SIZING TABLES REFLECT THE REAL PRESSURE DROP OF THE PIPE AND FITTINGS. SIZING MUST BE DONE IN ACCORDANCE WITH NFPA 54 (NATIONAL FUEL GAS CODE), USING BOTH THE PIPE AND THE FITTINGS SIZING TABLES. THIS ALLOWS FOR A MORE ACCURATE SIZING OF THE SYSTEM FOR YOUR INSTALLATION.

Natural Gas <2psi (Based on a 0.6 specific gravity gas)

Working Conditions		
Natural Gas	-	-
Inlet Pressure	6" WC	-
Pressure Drop	0.300	WC (in)

*Eq. pipe size (in)	3/8"	1/2"	3/4"	1"
Pipe (mm)	16	20	26	32
Length (ft)	Flow Rate Natural Gas (ft ³ /h)			
5	97	206	370	737
10	67	142	254	506
15	54	114	204	407
20	46	97	175	348
25	41	86	155	308
30	37	78	140	279
40	31	67	120	239
50	28	59	107	212
60	25	54	97	192
70	23	49	89	177
80	22	46	83	164
90	20	43	78	154
100	19	41	73	146
150	15	33	59	117
200	13	28	50	100
250	12	25	45	89
300	11	23	40	80
350	10	21	37	74
400	9	19	35	69
450	8	18	32	65
500	8	17	31	61

*Eq. = closest US equivalent size

SIZING TABLES

Natural Gas <2psi (Based on a 0.6 specific gravity gas)

Working Conditions		
Natural Gas	-	-
Inlet Pressure	6-7" WC	-
Pressure Drop	0.500	WC (in)

*Eq. pipe size (in)	3/8"	1/2"	3/4"	1"
Pipe (mm)	16	20	26	32
Length (ft)	Flow Rate Natural Gas (ft ³ /h)			
5	128	272	488	971
10	88	187	335	668
15	71	150	269	536
20	60	128	231	459
25	54	114	204	407
30	48	103	185	368
40	41	88	158	315
50	37	78	140	279
60	33	71	127	253
70	31	65	117	233
80	29	61	109	217
90	27	57	102	203
100	25	54	97	192
150	20	43	78	154
200	17	37	66	132
250	15	33	59	117
300	14	30	53	106
350	13	27	49	98
400	12	25	46	91
450	11	24	43	85
500	11	23	40	80

*Eq. = closest US equivalent size

SIZING TABLES

Natural Gas <2psi (Based on a 0.6 specific gravity gas)

Working Conditions		
Natural Gas	-	-
Inlet Pressure	8" WC	-
Pressure Drop	3.000	WC (in)

*Eq. pipe size (in)	3/8"	1/2"	3/4"	1"
Pipe (mm)	16	20	26	32
Length (ft)	Flow Rate Natural Gas (ft ³ /h)			
5	337	717	1287	2560
10	232	492	884	1760
15	186	395	710	1413
20	159	338	608	1209
25	141	300	539	1072
30	128	272	488	971
40	109	233	418	831
50	97	206	370	737
60	88	187	335	668
70	81	172	309	614
80	75	160	287	571
90	71	150	269	536
100	67	142	254	506
150	54	114	204	407
200	46	97	175	348
250	41	86	155	308
300	37	78	140	279
350	34	72	129	257
400	31	67	120	239
450	30	63	113	224
500	28	59	107	212

*Eq. = closest US equivalent size

SIZING TABLES

Natural Gas <2psi (Based on a 0.6 specific gravity gas)

Working Conditions		
Natural Gas	-	-
Inlet Pressure	12-14" WC	-
Pressure Drop	6.000	WC (in)

*Eq. pipe size (in)	3/8"	1/2"	3/4"	1"
Pipe (mm)	16	20	26	32
Length (ft)	Flow Rate Natural Gas (ft ³ /h)			
5	490	1043	1872	3725
10	337	717	1287	2560
15	271	575	1033	2056
20	232	492	884	1760
25	205	436	784	1560
30	186	395	710	1413
40	159	338	608	1209
50	141	300	539	1072
60	128	272	488	971
70	118	250	449	894
80	109	233	418	831
90	103	218	392	780
100	97	206	370	737
150	78	166	297	592
200	67	142	254	506
250	59	126	226	449
300	54	114	204	407
350	49	105	188	374
400	46	97	175	348
450	43	91	164	327
500	41	86	155	308

*Eq. = closest US equivalent size

SIZING TABLES

Natural Gas 2psi - 1psi (Based on a 0.6 specific gravity gas)

Working Conditions		
Natural Gas	-	-
Inlet Pressure	2.000	(psi)
Pressure Drop	1.000	(psi)

*Eq. pipe size (in)	3/8"	1/2"	3/4"	1"
Pipe (mm)	16	20	26	32
Length (ft)	Flow Rate Natural Gas (ft ³ /h)			
5	1180	2510	4506	8968
10	811	1725	3097	6164
15	651	1385	2487	4950
20	557	1186	2129	4236
25	494	1051	1887	3754
30	448	952	1709	3402
40	383	815	1463	2912
50	340	722	1297	2580
60	308	654	1175	2338
70	283	602	1081	2151
80	263	560	1006	2001
90	247	525	943	1878
100	233	496	891	1774
150	187	399	716	1424
200	160	341	612	1219
250	142	302	543	1080
300	129	274	492	979
350	118	252	453	901
400	110	234	421	838
450	103	220	395	786
500	98	208	373	742

*Eq. = closest US equivalent size

SIZING TABLES

Natural Gas 5psi - 3.5psi (Based on a 0.6 specific gravity gas)

Working Conditions		
Natural Gas	-	-
Inlet Pressure	5.000	(psi)
Pressure Drop	3.500	(psi)

*Eq. pipe size (in)	3/8"	1/2"	3/4"	1"
Pipe (mm)	16	20	26	32
Length (ft)	Flow Rate Natural Gas (ft ³ /h)			
5	2457	5225	9381	18670
10	1688	3591	6448	12832
15	1356	2884	5178	10304
20	1160	2468	4431	8819
25	1029	2187	3928	7816
30	932	1982	3559	7082
40	798	1696	3046	6061
50	707	1503	2699	5372
60	640	1362	2446	4867
70	589	1253	2250	4478
80	548	1166	2093	4166
90	514	1094	1964	3909
100	486	1033	1855	3692
150	390	830	1490	2965
200	334	710	1275	2538
250	296	629	1130	2249
300	268	570	1024	2038
350	247	525	942	1875
400	229	488	876	1744
450	215	458	822	1636
500	203	433	777	1546

*Eq. = closest US equivalent size

SIZING TABLES

LP Gas (Propane) <2psi (Based on a 1.52 specific gravity LP gas)

Working Conditions		
Propane	-	-
Inlet Pressure	11	WC (in)
Pressure Drop	0.500	WC (in)

*Eq. pipe size (in)	3/8"	1/2"	3/4"	1"
Pipe (mm)	16	20	26	32
Length (ft)	Flow rate Propane (kBTU/h)			
5	208	443	795	1583
10	143	304	547	1088
15	115	244	439	874
20	98	209	376	748
25	87	185	333	663
30	79	168	302	600
40	68	144	258	514
50	60	127	229	455
60	54	115	207	413
70	50	106	191	380
80	46	99	177	353
90	44	93	167	331
100	41	88	157	313
150	33	70	126	251
200	28	60	108	215
250	25	53	96	191
300	23	48	87	173
350	21	44	80	159
400	19	41	74	148
450	18	39	70	139
500	17	37	66	131

*Eq. = closest US equivalent size

SIZING TABLES

LP Gas (Propane) 2psi -1 psi (Based on a 1.52 specific gravity LP gas)

Working Conditions		
Propane	-	-
Inlet Pressure	2.000	(psi)
Pressure Drop	1.000	(psi)

*Eq. pipe size (in)	3/8"	1/2"	3/4"	1"
Pipe (mm)	16	20	26	32
Length (ft)	Flow rate Propane (kBTU/h)			
5	1915	4072	7312	14551
10	1316	2799	5025	10001
15	1057	2247	4035	8031
20	904	1924	3454	6873
25	802	1705	3061	6092
30	726	1545	2774	5520
40	622	1322	2374	4724
50	551	1172	2104	4187
60	499	1062	1906	3794
70	459	977	1754	3490
80	427	909	1631	3247
90	401	853	1531	3046
100	379	805	1446	2878
150	304	647	1161	2311
200	260	553	994	1978
250	231	491	881	1753
300	209	444	798	1588
350	192	409	734	1461
400	179	380	683	1359
450	168	357	641	1275
500	159	337	605	1205

*Eq. = closest US equivalent size

SIZING TABLES

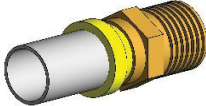
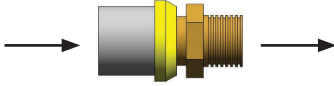
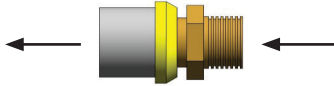
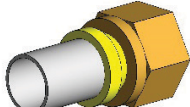
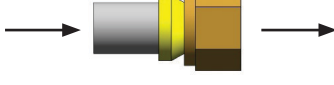
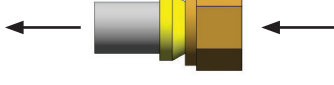
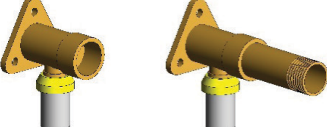
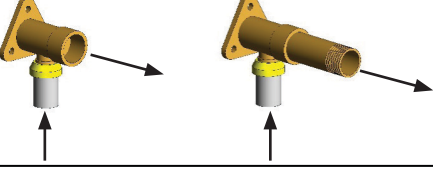
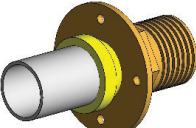
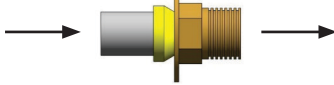
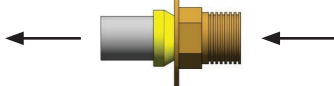
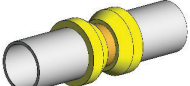
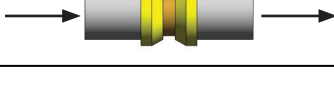

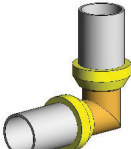
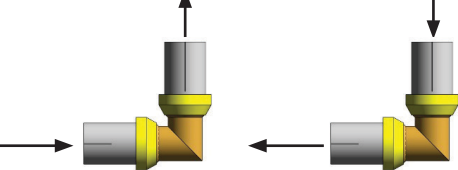
LP Gas (Propane) 5psi -3.5 psi (Based on a 1.52 specific gravity LP gas)

Working Conditions		
Propane	-	-
Inlet Pressure	5.000	(psi)
Pressure Drop	3.500	(psi)

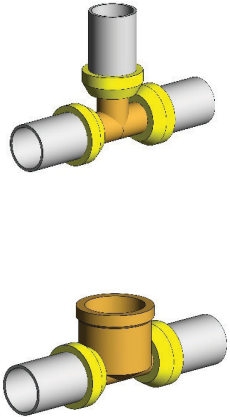
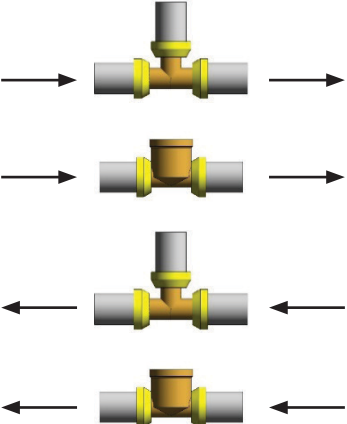
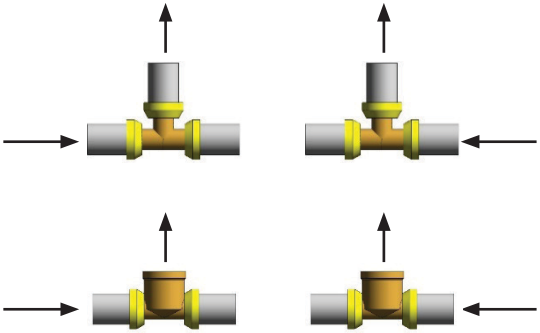
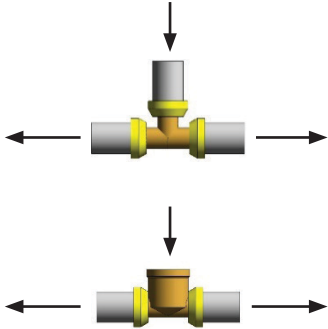
*Eq. pipe size (in)	3/8"	1/2"	3/4"	1"
Pipe (mm)	16	20	26	32
Length (ft)	Flow rate Propane (kBTU/h)			
5	3986	8477	15221	30292
10	2740	5826	10462	20820
15	2200	4679	8401	16719
20	1883	4004	7190	14309
25	1669	3549	6373	12682
30	1512	3216	5774	11491
40	1294	2752	4942	9835
50	1147	2439	4380	8716
60	1039	2210	3968	7898
70	956	2033	3651	7266
80	889	1892	3396	6759
90	835	1775	3187	6342
100	788	1677	3010	5991
150	633	1346	2417	4811
200	542	1152	2069	4117
250	480	1021	1834	3649
300	435	925	1661	3306
350	400	851	1528	3042
400	372	792	1422	2830
450	349	743	1334	2655
500	330	702	1260	2508

*Eq. = closest US equivalent size

SIZING TABLES

FITTINGS PRESSURE LOSSES IN EQUIVALENT PIPE LENGTH (ft)		
FITTING	FLOWRATE DIRECTION	VALUE
NPT Male Couplings 		3.28
		
NPT Female Couplings 		3.28
		
Wingback Elbows 		3.28
Floor/Wall Mountings 		3.28
		
Couplings 		1.03
		
Crimp & NPT Elbows 		2.26

SIZING TABLES

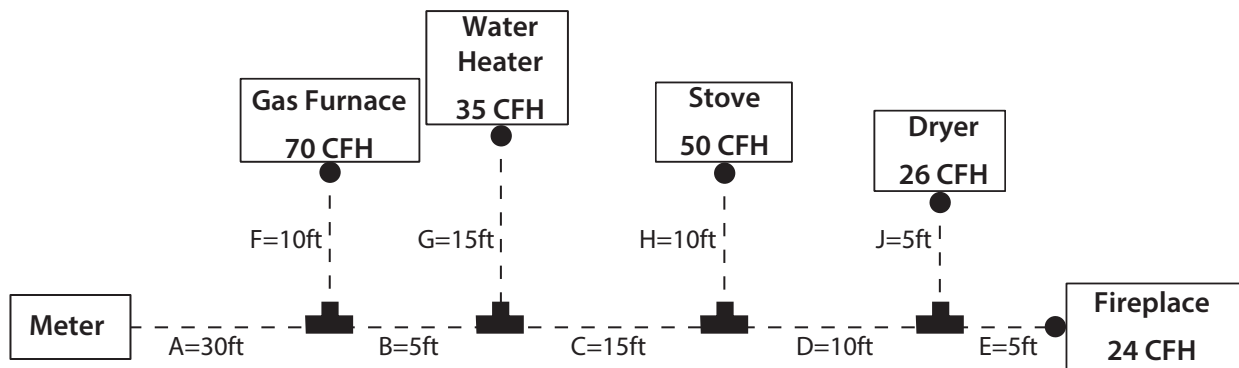
FITTINGS PRESSURE LOSSES IN EQUIVALENT PIPE LENGTH (ft)		
FITTING	FLOWRATE DIRECTION	VALUE
<p>Crimp & NPT tees</p> 		1.64
		4.51
		4.92

EXAMPLE NO. 1

This is a typical single-family house installation with five (5) appliances, where the design layout of gas supply piping system is arranged in series with a main run branching at the appliances. The utility company's supply pressure (downstream of the meter) is 8" WC, and the utility company advises that the specific gravity of the gas delivered will be 0.60 and the energy content is 1 CFH = 1,000 BTUH. The allowable pressure drop across the system has been determined to be 3.0" WC.

Appliances list:

- Gas Furnace (70,000 BTUH → 70 CFH)
- Water Heater (35,000 BTUH → 35 CFH)
- Stove (50,000 BTUH → 50 CFH)
- Dryer (26,000 BTUH → 26 CFH)
- Fireplace (24,000 BTUH → 24 CFH)



Trunks

TRUNKS SECTION	LOAD DELIVERED BY SECTION	SECTION LENGTH	APPLIANCE WITH THE LONGEST RUN
A	205 CFH	30'	Dryer: - run length = 65' - run fittings: 3 straight tees, 1 tee 90° and 1 termination wingback elbow
B	135 CFH	5'	Dryer: - run length = 65' - run fittings: 3 straight tees, 1 tee 90° and 1 termination wingback elbow
C	100 CFH	15'	Dryer: - run length = 65' - run fittings: 3 straight tees, 1 tee 90° and 1 termination wingback elbow
D	50 CFH	10'	Dryer: - run length = 65' - run fittings: 3 straight tees, 1 tee 90° and 1 termination wingback elbow

Appliance Sections

APPLIANCE SECTION	APPLIANCE LOAD	TOTAL SECTION LENGTH	SECTION FITTINGS
E	24 CFH	65'	4 straight tees and 1 termination wingback elbow
F	70 CFH	40'	1 tee 90° and 1 termination wingback elbow
G	35 CFH	50'	1 straight tee, 1 tee 90° and 1 termination wingback elbow
H	50 CFH	60'	2 straight tees, 1 tee 90° and 1 termination wingback elbow
J	24 CFH	65'	3 straight tees, 1 tee 90° and 1 termination wingback elbow

Run Length for Trunk Sections = Distance from meter to appliance with the longest run depending on the system layout and the total section length (it means not just the furthest one but the one whose section has the highest value of pressure losses).

Total section length for Appliance Sections = Appliance with the longest run

Sizing Run A: Utilize sizing table for natural gas at 8" WC + 3" WC pressure drop + the table of the fittings pressure losses.

- Total Load = 205 CFH
- Appliance with the longest run: Dryer
 - run to it = 65'
 - additional fittings of it: 3 tees straight + 1 tee 90° + 1 termination wingback elbow

➔ total run = $65 + 3 \times 1.64 + 4.51 + 3.28 = 77.71$ ➔ rounded up to 80

According to sizing table, Pipe size = 3/4in (26mm) (up to 287 CFH)

Sizing Run B: Utilize sizing table for natural gas at 8" WC + 3" WC pressure drop + the table of the fittings pressure losses.

- Total Load = 135 CFH
- Appliance with the longest run: Dryer
 - run to it = 65'
 - additional fittings of it: 3 tees straight + 1 tee 90° + 1 termination wingback elbow

➔ total run = $65 + 3 \times 1.64 + 4.51 + 3.28 = 77.71$ ➔ rounded up to 80

According to sizing table, Pipe size = 1/2in (20mm) (up to 160 CFH)

Sizing Run C: Utilize sizing table for natural gas at 8" WC + 3" WC pressure drop + the table of the fittings pressure losses.

- Total Load = 100 CFH
- Appliance with the longest run: Dryer
 - run to it = 65'
 - additional fittings of it: 3 tees straight + 1 tee 90° + 1 termination wingback elbow

➔ total run = $65 + 3 \times 1.64 + 4.51 + 3.28 = 77.71$ ➔ rounded up to 80

According to sizing table, Pipe size = 1/2in (20mm) (up to 160 CFH)

Sizing Run D: Utilize sizing table for natural gas at 8" WC + 3" WC pressure drop + the table of the fittings pressure losses.

- Total Load = 50 CFH
- Appliance with the longest run: Dryer
 - run to it = 65'
 - additional fittings of it: 3 tees straight + 1 tee 90° + 1 termination wingback elbow

➔ total run = $65 + 3 \times 1.64 + 4.51 + 3.28 = 77.71$ ➔ rounded up to 80

According to sizing table, Pipe size = 3/8in (16mm) (up to 75 CFH)

Sizing Run E: Utilize sizing table for natural gas at 8" WC + 3" WC pressure drop + the table of the fittings pressure losses.

- Total Load = 24 CFH
- run to relative appliance = 65'
- additional fittings of the run: 4 tees straight + 1 termination wingback elbow

➔ total run = $65 + 4 \times 1.64 + 3.28 = 74.84$ ➔ rounded up to 80

According to sizing table, Pipe size = 3/8 in (16mm) (up to 75 CFH)

Sizing Run F: Utilize sizing table for natural gas at 8" WC + 3" WC pressure drop + the table of the fittings pressure losses.

- Total Load = 70 CFH
- run to relative appliance = 40'
- additional fittings of the run: 1 tee 90° + 1 termination wingback elbow

➔ total run = $40 + 4.51 + 3.28 = 47.89$ ➔ rounded up to 50

According to sizing table, Pipe size = 3/8in (16mm) (up to 97 CFH)

Sizing Run G: Utilize sizing table for natural gas at 8" WC + 3" WC pressure drop + the table of the fittings pressure losses.

- Total Load = 35 CFH
- run to relative appliance = 50'
- additional fittings of the run: 1 tee straight + 1 tee 90° + 1 termination wingback elbow

➔ total run = 50 + 1.64 + 4.51 + 3.28 = 59.43 ➔ rounded up to 60
 According to sizing table, Pipe size = 3/8in (16mm) (up to 88 CFH)

Sizing Run H: Utilize sizing table for natural gas at 8" WC + 3" WC pressure drop + the table of the fittings pressure losses.

- Total Load = 50 CFH
- run to relative appliance = 60'
- additional fittings of the run: 2 tees straight + 1 tee 90° + 1 termination wingback elbow

➔ total run = 60 + 2*1.64 + 4.51 + 3.28 = 71.07 ➔ rounded up to 80
 According to sizing table, Pipe size = 3/8in (16mm)m (up to 75 CFH)

Sizing Run J: Utilize sizing table for natural gas at 8" WC + 3" WC pressure drop + the table of the fittings pressure losses.

- Total Load = 26 CFH
- run to relative appliance = 65'
- additional fittings of the run: 3 tee straight + 1 tee 90° + 1 termination wingback elbow

➔ total run = 65 + 3*1.64 + 4.51 + 3.28 = 77.71 ➔ rounded up to 80
 According to sizing table, Pipe size = 3/8in (16mm) (up to 75 CFH)

Below are the sizes of the gas supply system:

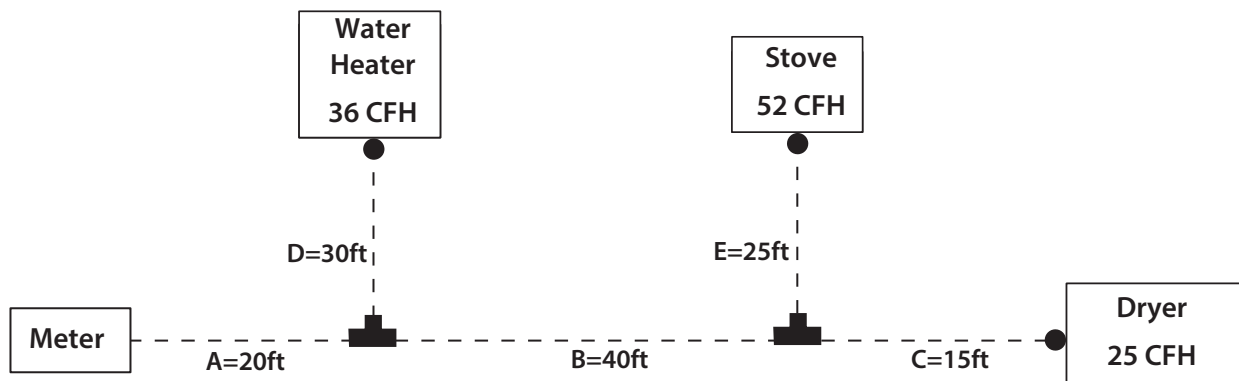
SECTION	PIPE SIZE (mm)	PIPE SIZE (in)
A	26	3/4
B	20	1/2
C	20	1/2
D	16	3/8
E	16	3/8
F	16	3/8
G	16	3/8
H	16	3/8
J	16	3/8

EXAMPLE NO. 2

This is a typical small single-family house installation with three (3) appliances, where the design layout of gas supply piping system is arranged in series with a main run branching at the appliances. The utility company’s supply pressure (downstream of the meter) is 6" WC, and the utility company advises that the specific gravity of the gas delivered will be 0.60 and the energy content is 1 CFH = 1.000 BTUH. The allowable pressure drop across the system has been determined to be 0.3" WC.

Appliances list:

- Water Heater (36,000 BTUH → 36 CFH)
- Stove (52,000 BTUH → 52 CFH)
- Dryer (25,000 BTUH → 25 CFH)



Trunks

TRUNKS SECTION	LOAD DELIVERED BY SECTION	SECTION LENGTH	APPLIANCE WITH THE LONGEST RUN
A	113 CFH	20'	Stove: - run length = 85' - run fittings: 1 straight tee, 1 tee 90° and 1 termination wingback elbow
B	77 CFH	40'	Stove: - run length = 85' - run fittings: 1 straight tee, 1 tee 90° and 1 termination wingback elbow

Appliance Sections

APPLIANCE SECTION	APPLIANCE LOAD	TOTAL SECTION LENGTH	SECTION FITTINGS
C	25 CFH	75'	2 tees and 1 termination wingback elbow
D	36 CFH	50'	1 tee and 1 termination wingback elbow
E	52 CFH	85'	2 tees and 1 termination wingback elbow

Run Length for Trunk Sections = Distance from meter to appliance with the longest run depending on the system layout and the total section length (it means not just the furthest one but the one whose section has the highest value of pressure losses)

Total section length for Appliance Sections = Distance from meter to each appliance

Sizing Run A: Utilize sizing table for natural gas at 6" WC + 0.3" WC pressure drop + the table of the fittings pressure losses.

- Total Load = 113 CFH
- Appliance with the longest run: Stove
 - run to it = 85'
 - additional fittings of it: 1 tee straight + 1 tee 90° + 1 termination wingback elbow

➔ total run = 85 + 1.64 + 4.51 + 3.28 = 94.43 ➔ rounded up to 100
 According to sizing table, Pipe size = 1in (32mm) (up to 146 CFH)

Sizing Run B: Utilize sizing table for natural gas at 6" WC + 0.3" WC pressure drop + the table of the fittings pressure losses.

- Total Load = 77 CFH
- Appliance with the longest run: Stove
 - run to it = 85'
 - additional fittings of it: 1 tee straight + 1 tee 90° + 1 termination wingback elbow

➔ total run = 85 + 1.64 + 4.51 + 3.28 = 94.43 ➔ rounded up to 100
 According to sizing table, Pipe size = 1in (32mm) (up to 146 CFH)

Sizing Run C: Utilize sizing table for natural gas at 6" WC + 0.3" WC pressure drop + the table of the fittings pressure losses.

- Total Load = 25 CFH
- run to relative appliance = 75'
- additional fittings of the run: 2 tees straight + 1 termination wingback elbow

➔ total run = 75 + 2*1.64 + 3.28 = 81.56 ➔ rounded up to 90
 According to sizing table, Pipe size = 1/2in (20mm) (up to 43 CFH)

Sizing Run D: Utilize sizing table for natural gas at 6" WC + 0.3" WC pressure drop + the table of the fittings pressure losses.

- Total Load = 36 CFH
- run to relative appliance = 50'
- additional fittings of the run: 1 tee 90° + 1 termination wingback elbow

➔ total run = 50 + 4.51 + 3.28 = 57.79 ➔ rounded up to 60
 According to sizing table, Pipe size = 1/2in (20mm (up to 54 CFH)

Sizing Run E: Utilize sizing table for natural gas at 6" WC + 0.3" WC pressure drop + the table of the fittings pressure losses.

- Total Load = 52 CFH
- run to relative appliance = 85'
- additional fittings of the run: 1 tee straight + 1 tee 90° + 1 termination wingback elbow

➔ total run = 85 + 1.64 + 4.51 + 3.28 = 94.43 ➔ rounded up to 100
 According to sizing table, Pipe size = 3/4in (26mm) (up to 73 CFH)

Below are the sizes of the gas supply system:

SECTION	PIPE SIZE (mm)	PIPE SIZE (in)
A	32	1
B	32	1
C	20	1/2
D	20	1/2
E	26	3/4

Instrucciones De Instalación Jones Stephens Para PEXALGAS®

¡ATENCIÓN!

La instalación de tuberías PEXALGAS® de Jones Stephens debe ser realizada por un instalador que cumpla con las calificaciones correspondientes, según lo requerido por las autoridades administrativas estatales y locales responsables de aplicar las disposiciones del código donde se instale la tubería de gas.

Todos los sistemas que utilizan tuberías de Jones Stephens deben diseñarse e instalarse de acuerdo con los requisitos de esta guía.

La instalación debe realizarse de acuerdo con los códigos locales, o en su ausencia, de acuerdo con el Código Nacional de Gas Combustible ANSI Z223.1 en los EE. UU. y en Canadá CAN / CGA - B149.1 y B149.2. En los casos en que los requisitos de esta guía entren en conflicto con el código local, el código local debe tener prioridad, a menos que la autoridad local que tenga jurisdicción apruebe una variación o cambio.

La inspección, prueba y purga se deben realizar de acuerdo con los procedimientos de la Parte 4 del Código Nacional de Gas Combustible, ANSI Z223.1 y Códigos de instalación CAN / CGA - B149 o de acuerdo con los códigos locales.

Este sistema y los componentes relacionados (tuberías, accesorios y herramientas incluidos en el catálogo PEXALGAS® de Jones Stephens) deben usarse solo en sistemas de tuberías de gas donde la presión de gas de operación no exceda de 72.5 psi (5 bar).

Las tuberías pueden enterrarse bajo tierra, pero se requiere una base adecuada conforme a las instrucciones indicadas en la sección Instalación subterránea.

La instalación de Jones Stephens PEXALGAS en piso sólido debe realizarse de acuerdo con las secciones IRC G2415.8 y IFGC secciones 404.8.

La tubería PEXALGAS® usualmente esta dirigido:

- Debajo, a través y a lo largo de las vigas del piso
- Dentro de las cavidades de las paredes interiores
- En la parte superior de las vigas del techo en el espacio del ático

La tubería PEXALGAS® no cuenta con la clasificación de resistencia al fuego exigida por la mayoría de los códigos de construcción para recorridos a través de las cámaras de pleno. Si su código de edificación exige que los productos tengan una determinada clasificación establecida por la especificación de ensayo de la norma E84 de la ASTM, entonces la tubería PEXALGAS® no deberá instalarse a través de una cámara de pleno.

Desenrolle y dirija cuidadosamente la tubería desde el carrete hasta el lugar requerido, asegurándose de no doblar, enredar o aplicar una fuerza excesiva.

El extremo de la tubería debe cerrarse temporalmente con un tapón o cinta adhesiva antes de la instalación para evitar la entrada de materiales extraños.

Al instalar la tubería para gas de Jones Stephens, evite las curvas cerradas, estiramientos, torceduras, torceduras o contacto con objetos afilados. La tubería debe reemplazarse si se produce algún daño.

IMPORTANTE - LEA EL MANUAL COMPLETO

Este documento es propiedad exclusiva de Jones Stephens. No puede ser copiado o reproducido sin la autorización previa de Jones Stephens.

INTRODUCCIÓN

ADVERTENCIAS PARA EL USUARIO

El uso de gas combustible puede ser peligroso. Debe prestar especial atención al diseño, instalación, pruebas y aplicación adecuadas del sistema de tuberías de gas. Se deben observar las prácticas y principios de ingeniería sólidos y apegarse diligentemente a los procedimientos de instalación adecuados para garantizar la operación segura del sistema de tuberías. Antes de que se pongan en servicio, todos los sistemas instalados deben aprobar las inspecciones de instalación habituales que haga el representante del edificio local que tenga autoridad. El objetivo de este documento es dar al usuario una guía general en el momento de diseñar e instalar un sistema de tubería de Jones Stephens, sus componentes no son intercambiables con otros sistemas de tuberías de gas. No se permiten componentes intercambiables con los sistemas de tuberías de gas de otros fabricantes que pueden tener como consecuencia lesiones corporales graves y daños a la propiedad. Cuando los códigos locales de gas o construcción exijan requisitos más estrictos que este documento, se deben seguir los requisitos del código local. El rendimiento de los dispositivos de accesorios, como reguladores de presión y válvulas de cierre, se debe reconfirmar comunicándose con el fabricante del dispositivo auxiliar y recibiendo los datos técnicos más recientes sobre dimensionamiento, instalación y rendimiento.

Los métodos o procedimientos de instalación inadecuados pueden provocar accidentes como explosiones, incendios, intoxicación por gas, asfixia, etc. Este sistema debe instalarse respetando estrictamente esta guía y los códigos de construcción locales. Todos los sistemas instalados deben pasar las inspecciones de las instalaciones por parte del funcionario de construcción local autorizado antes de ser puestos en servicio. Jones Stephens no tendrá ninguna responsabilidad por cualquier interpretación errónea de la información contenida en este manual o cualquier instalación incorrecta, trabajo de reparación o desviación de los procedimientos recomendados en este manual, ya sea de conformidad con los códigos de construcción locales o especificaciones de ingeniería.

Los componentes de tuberías PEXALGAS de Jones Stephens no se deben usar con otros sistemas de tuberías PEX-AL-PEX de otros fabricantes.

La tubería de Jones Stephens se utilizará solo en sistemas de tubería de gas donde la presión del gas de operación no exceda 72.5 PSI (5 bar). Los accesorios para los sistemas deben estar clasificados para la presión de gas de operación utilizada. Así, por ejemplo, los accesorios para sistemas de 25 PSI deben estar clasificados para un servicio de 25 PSI. El rendimiento de los dispositivos accesorios, como los reguladores de presión y las válvulas de cierre, debe verificarse de nuevo poniéndose en contacto con el fabricante del dispositivo accesorio y recibiendo los últimos datos técnicos sobre el tamaño, la instalación y el funcionamiento.

Un sistema de suministro de gas que consta de tuberías Jones Stephens ofrece ventajas significativas sobre otros sistemas de suministro de gas debido a las dimensiones y el diseño de sus paredes. A diferencia de la tubería de cobre o acero rígido, la tubería de Jones Stephens no requiere juntas intermedias en la mayoría de las instalaciones porque la tubería se puede instalar en un tramo continuo, lo que reduce no solo el número total de juntas, sino también la posibilidad de fugas en las juntas. La flexibilidad de las tuberías de Jones Stephens también ofrece más opciones de instalación porque un instalador puede evitar los obstáculos existentes y elimina la medición, el corte, el roscado y el ensamblaje de juntas repetitivos que son comunes en los sistemas de tuberías rígidas. La flexibilidad de la tubería de Jones Stephens ofrece más ventajas de seguridad en áreas geográficas propensas a la actividad sísmica porque la tubería proporciona una mayor flexibilidad para resistir ciertos movimientos del suelo o cambios estructurales. Aunque la tubería de Jones Stephens proporciona ventajas significativas sobre los sistemas de suministro de gas más rígidos, las dimensiones de sus paredes pueden hacer que sea más probable que una tubería de acero sea perforada por un clavo u otros objetos, o dañada por fuerzas extraordinarias como un rayo, según las circunstancias. Los accesorios Jones Stephens están aislados para eliminar el contacto de metal con metal entre la tubería y los accesorios. Para maximizar la protección de toda la estructura contra daños por rayos, se debe instalar un sistema de protección contra rayos según NFPA 780 y otras normas, particularmente en áreas propensas a rayos. Tenga en cuenta que los sistemas de protección contra rayos establecidos en NFPA 780 y otras normas van más allá del alcance de este manual. Los usuarios de los sistemas de tuberías de Jones Stephens deben considerar todas las limitaciones y beneficios de los sistemas de tuberías de Jones Stephens para su situación particular.

LIMITACIÓN DEL MANUAL

Este documento está destinado a ayudar al usuario en el diseño, instalación y prueba de los sistemas de tuberías de Jones Stephens para distribuir gas combustible en unidades de vivienda residencial y estructuras comerciales. Sería imposible que esta guía anticipara y cubriera todas las posibles variaciones en la configuración de la carcasa, cargas de electrodomésticos y restricciones locales. Por lo tanto, puede haber aplicaciones que no estén cubiertas en este manual. Para aplicaciones fuera del alcance de esta guía, comuníquese con Jones Stephens. Las técnicas incluidas en esta guía son prácticas recomendadas para aplicaciones genéricas. Estas prácticas deben revisarse para verificar que cumplan con todos los códigos de construcción y gas combustible locales aplicables. Por consiguiente, cuando los códigos de construcción o de gas locales impongan requisitos mayores que los de este manual, debe cumplir con los requisitos del código local. Este sistema y los componentes relacionados (tuberías, accesorios y herramientas incluidos en el catálogo PEXALGAS® de Jones Stephens) deben usarse solo en sistemas de tuberías de gas donde la presión de gas de operación no exceda de 72.5 psi (5 bar).

LISTADO DE CÓDIGOS Y NORMAS APLICABLES

El sistema de tuberías de gas Jones Stephens cumple con los siguientes códigos:

- 2024, 2021, 2018, 2015, 2012 y 2009 Código Internacional de Gas Combustible® (IFGC)
- 2024, 2021, 2018, 2015, 2012 y 2009 Código Residencial Internacional® (IRC)
- 2024, 2021, 2018, 2015, 2012 y 2009 Código Uniforme de Plomería® (UPC)

El sistema de tuberías de gas de Jones Stephens cumple con los siguientes estándares certificados de acuerdo con el certificado de ICC-ES PMG-1588:

- Especificación de la ISO17484 para sistemas de tuberías multicapas para instalaciones de gas interiores. Especificación estándar ASTM F1281 para polietileno reticulado/aluminio/polietileno reticulado.
- Especificación ISO17484 para sistemas de tuberías multicapa para instalaciones de gas interiores.
- AS 4176.8-2010 Tuberías multicapa de metal-plástico y accesorios de latón para el transporte de gases combustibles en sistemas con presiones de hasta 5 bar.
- Código de gas combustible nacional NFPA54-2024

DESCRIPCIÓN DEL SISTEMA Y DE LOS COMPONENTES

TUBERÍA:

El sistema de tuberías para gas Jones Stephens PEXALGAS® ha sido diseñado, probado y certificado para cumplir con los requisitos de rendimiento de los sistemas de gas combustible estadounidenses. Como tal, es aceptable para su uso con todos los gases combustibles reconocidos, incluidos el gas natural y el propano (GLP).

El sistema de PEXALGAS Jones Stephens combina las características positivas típicas del polietileno reticulado PEX-b y también las del aluminio; El polietileno reticulado PEX-b ofrece excelentes propiedades mecánicas, físicas y químicas y la tubería de aluminio soldada a tope refuerza la resistencia mecánica introduciendo excelentes características de flexibilidad y maleabilidad, características fundamentales para acelerar y simplificar las operaciones de instalación.

El resultado es un producto compuesto por diferentes capas de material, conectadas entre sí, que permite alcanzar excelentes propiedades que de otro modo no serían posibles con una tubería de un solo material.

El sistema Jones Stephens Gas Piping está certificado para sistemas con presiones de trabajo de hasta 72.5 PSI.

Atención: No almacene ni instale PEXALGAS® expuesto a la luz solar directa.

RACORES

Los Racores de Presión Jones Stephens es un sistema de accesorios a presión adecuado para una variedad de aplicaciones. Utilizando una máquina de presión portátil equipada con una mordaza adecuada, la tubería se forma alrededor del inserto de conexión. Incluso en presencia de fluctuaciones de temperatura, la junta permanece perfectamente, estanca a los gases y no se puede aflojar, gracias al manguito de acero inoxidable que cubre la parte de tubería en contacto con el inserto. El manguito tiene orificios de inspección para verificar la correcta inserción de la tubería en el accesorio.

Los accesorios de prensado PEXALGAS® requieren el uso de mordazas de prensado PEXALGAS® aprobadas por Jones Stephens o la herramienta de prensado manual PEXALGAS® de Jones Stephens, diseñada específicamente para los sistemas PEXALGAS® de Jones Stephens.

DISPOSITIVOS DE PROTECCIÓN:

Se deben usar dispositivos de protección cuando la tubería pasa a través de montantes, vigas u otros materiales de construcción que limitan o restringen el movimiento de la tubería flexible, haciéndola susceptible a daños físicos por clavos, tornillos, brocas y otras amenazas de perforación.

- Placas de impacto (acero endurecido de calibre 16) se fijan directamente a los postes y vigas.
- El conducto metálico enrollado en tiras se puede utilizar en lugares donde se requiera protección adicional.

REGULADORES DE PRESIÓN:

Se requiere para reducir la presión elevada, más de 14 pulgadas de columna de agua (1/2 PSI) a la presión baja estándar requerida para la mayoría de los electrodomésticos.

DESCRIPCIÓN DEL SISTEMA Y DE LOS COMPONENTES

COLECTORES:

- Los colectores de distribución de gas multipuerto suministran varios aparatos de gas en disposición paralela desde un punto de distribución.
- Varios tamaños y configuraciones varían en tamaños NPT hembra con configuraciones de distribuidores cruzados de 3, 4 y 6 puertos.

VÁLVULAS DE CIERRE:

Se utiliza para controlar el flujo de gas. Las válvulas de bola cierran el suministro de gas en los electrodomésticos, colectores y reguladores. Las válvulas se pueden utilizar en ubicaciones de colectores, lo que reduce del número de empalmes gracias a la conexión integrada de los racores.

VISIÓN GENERAL DEL SISTEMA

INTRODUCCIÓN:

La siguiente sección se utilizará para ayudarle a diseñar y dimensionar su sistema PEXALGAS Jones Stephens. En cualquier momento en el que necesite más ayuda con este proceso, puede visitar nuestra página web (pexalgas.com) o comunicarse con Jones Stephens.

Esta norma exige que se proporcionen instrucciones de instalación que incluyan tablas y métodos de dimensionamiento adecuados.

DISEÑO DE SISTEMAS

Para diseñar correctamente un sistema de tuberías de gas combustible, primero debe reconocer todos los criterios importantes. Los requisitos para un diseño de sistema adecuado incluyen:

- Verifique que su sistema cumpla con todos los códigos locales. Cuando los códigos locales entran en conflicto con las directrices del fabricante, los códigos siempre deben tener prioridad.
- Determine la presión de suministro proveniente del medidor por medio de un manómetro o una clasificación suministrada por la compañía de gas.
- Determine la demanda total del sistema para todos los electrodomésticos, así como la carga individual más grande.
- Prepare un boceto del plano del piso con las combinaciones de carga y longitud de todos los electrodomésticos.
- Determine su caída de presión permitida.

NOTA:

Tenga en cuenta que las tablas de tamaño de Jones Stephens se refieren solo a la tubería sin incluir otras pérdidas. El dimensionamiento debe realizarse de acuerdo con NFPA 54 (Código Nacional de Gases Combustibles). El cálculo de las pérdidas de presión a partir de las tablas de dimensionamiento de TUBERÍAS y ACCESORIOS permite un dimensionamiento más exacto del sistema para su instalación.

A la hora de elegir la caída de presión para calcular el tamaño de un sistema PEXALGAS Jones Stephens hay que tener en cuenta la presión mínima de funcionamiento del aparato. Elegir una caída de presión que reduzca la presión de suministro por debajo de la presión mínima de funcionamiento del aparato hará que el aparato funcione mal o no funcione en absoluto.

PRÁCTICAS GENERALES DE INSTALACIÓN

ATENCIÓN:

EL SISTEMA DE TUBERÍAS DE GAS DE JONES STEPHENS PEXALGAS® ES UN SISTEMA DE TUBERÍAS DE GAS COMBUSTIBLE DE INGENIERÍA Y, COMO TAL, LAS TUBERÍAS Y LOS ACCESORIOS NO SON INTERCAMBIABLES CON OTROS PRODUCTOS DEL FABRICANTE DE PEX-AL-PEX. ESTÁ PROHIBIDO EL USO DE OTROS PRODUCTOS PEX-AL-PEX CON EL SISTEMA DE TUBERÍAS DE GAS DE JONES STEPHENS.

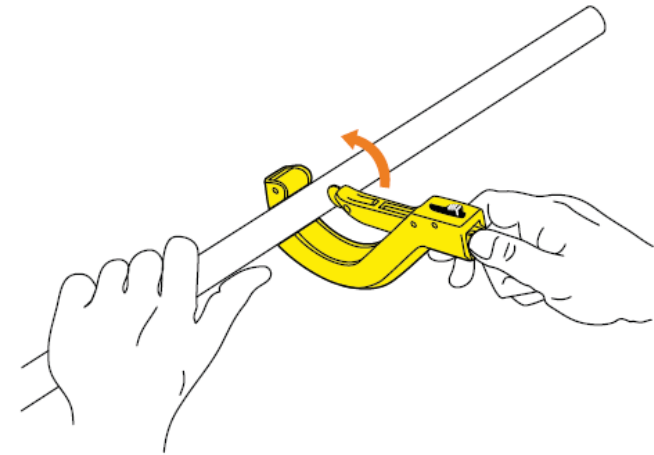
- A. Todo el hardware del sistema debe almacenarse en su paquete original en un lugar limpio y seco antes de la instalación. Se debe tener cuidado para asegurar que la tubería PEXALGAS® no se dañe antes de la instalación.
- B. Los extremos de la tubería deben cerrarse temporalmente con un tapón o cinta adhesiva antes de la instalación para evitar la entrada de materiales extraños.
- C. Las tuberías PEXALGAS® expuestas a temperaturas extremadamente bajas deberán calentarse a temperatura ambiente antes de la instalación y de todas las actividades relacionadas, tales como desenrollado, curvado, corte, biselado y/o conexión a los accesorios. Una vez instaladas, las tuberías PEXALGAS® pueden soportar condiciones de baja temperatura, hasta -40° F (-40° C).
- D. Se debe tener cuidado de no doblar, enredar, retorcer, estirar o aplicar una fuerza excesiva a las tuberías o accesorios. La tubería de gas Jones Stephens es un sistema de tubería flexible y se puede doblar durante la instalación alrededor de obstrucciones. Evite estresar el tubo con curvas cerradas. Consulte la tabla para conocer el radio de curvatura recomendado.

TAMAÑO DEL TUBO (mm)	TAMAÑO *EQUIVALENTE DE LA TUBERÍA (cm)	RADIO DE CURVATURA MÍNIMA (in)
16	3/8	2"
20	1/2	3"
26	3/4	3"
32	1	5"

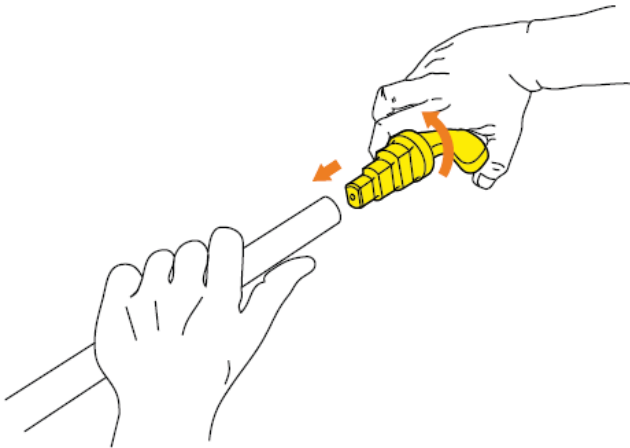
- E. Al instalar en, a través o alrededor de estructuras metálicas afiladas (es decir, postes de metal, láminas de metal, vigas en I), se deben usar arandelas de goma o tubería protectora para evitar cualquier contacto directo que pueda dañar la tubería.
- F. La tubería debe ser soportada de manera profesional con correas metálicas, bandas, abrazaderas, colgadores de tubos metálicos o componentes estructurales de construcción adecuados al tamaño de los intervalos de soporte de la tubería. Los intervalos de soporte no deben exceder los indicados en la tabla de la sección Corrida Horizontal en la página 54.
- G. Los accesorios adaptadores PEXALGAS® MPT/FPT se deben usar para la transición a tuberías de hierro negro u otros sistemas de tuberías de gas por medio de conexiones de tubería roscada NPT.

*Eq. = tamaño equivalente más cercano en EE. UU.

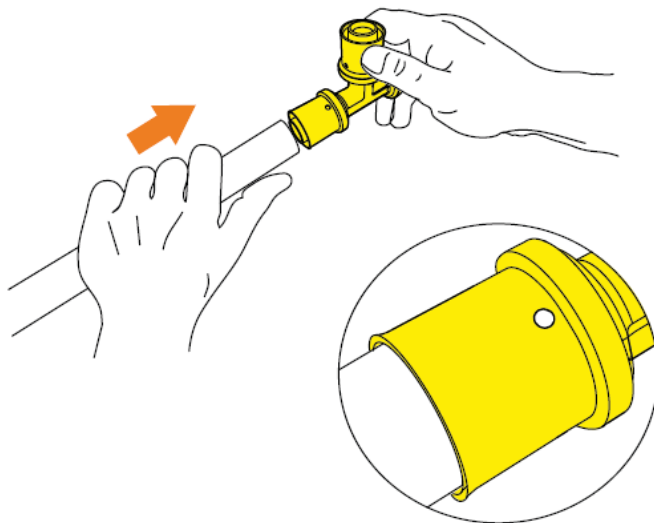
MONTAJE DE LA CONEXIÓN



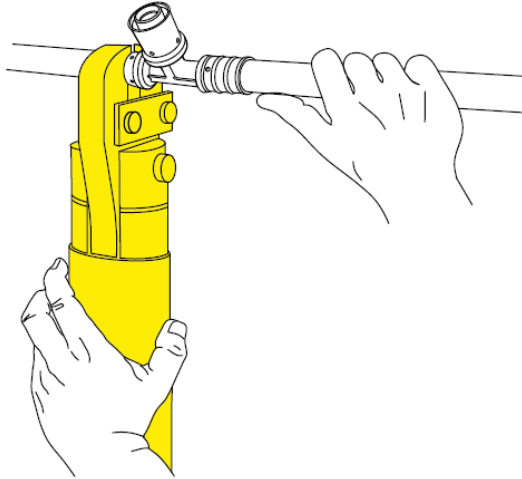
1. Corte la tubería en ángulo recto con un cortador de tubos adecuado. Asegúrese de que la cuchilla esté afilada y en buenas condiciones para evitar dañar la tubería. Gire el cortador de tubos mientras aplica presión. No aplique presión excesiva para reducir la ovalización.



2. calibre y bisele el tubo para obtener una circunferencia interior perfectamente redonda del tubo. Asegúrese siempre de que el escariador no tenga abolladuras o daños, ya que dañarían la tubería y comprometerían el sellado.

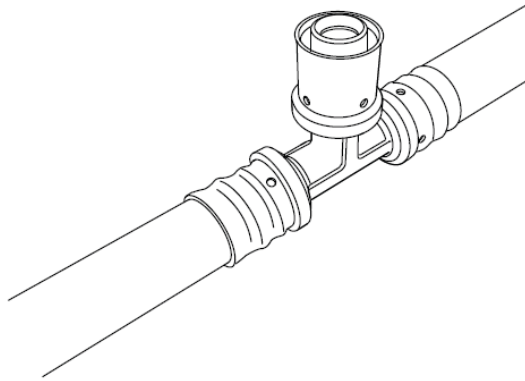


3. Inserte el accesorio en la tubería comprobando a través de los orificios de inspección de la manga que la tubería se haya insertado correctamente. Retire cualquier material residual que quede dentro de la tubería.



- Para máquinas de prensado: Coloque la máquina de prensado de forma que la mordaza de prensado esté alineada y en posición con respecto al cuerpo del accesorio y apriete pulsando el botón de inicio de la máquina de prensado (para más detalles, consulte las instrucciones suministradas con la de la máquina de prensado). Utilice las mordazas de prensado suministradas por Jones Stephens cuyo perfil de prensado (TH) sea compatible con el accesorio que está instalando.

En el caso de engarzadora manual: coloque la engarzadora manual de forma que la mordaza de prensado esté alineada y en posición con respecto al cuerpo del racor y cierre completamente la herramienta hasta que haga clic (para más detalles, consulte las instrucciones suministradas con la herramienta)



- Retire la mordaza de prensado y verifique a través de los orificios de inspección del manguito metálico que el tubo ha permanecido completamente insertada durante todo el proceso de proceso de conexión.

CONEXIONES ROSADAS NPT

Utilice cinta de teflón (PTFE) o selladores para roscas de tuberías si es necesario. Envuelva la cinta PTFE en el sentido de las agujas del reloj 3-4 veces. Aplique sellador de roscas comenzando en la abertura del accesorio que sea lo suficientemente grueso como para llenar las ranuras de la primera mitad de la rosca únicamente. El método correcto para ensamblar conectores roscados cónicos es ensamblarlos apretando con los dedos y luego apretarlos con una llave más hasta el número especificado de vueltas desde el ajuste manual (T.F.F.T.) que se indica en la tabla. El esfuerzo de apriete no debe exceder los valores enumerados en la siguiente tabla.

TAMAÑO DE LA CONEXIÓN (NPT)	T.F.F.T.	ESFUERZO MÁXIMO (ft-lb)
1/2"	2-3	30
3/4"	2-3	37
1"	1.5-2.5	52

No use cinta de teflón ni sellador de roscas en ninguna conexión de fijación de PEXALGAS® de Jones Stephens. Asegúrese de que el sellador de roscas no haga contacto con el tubo ni quede dentro de los accesorios.

No debe girar los accesorios después de que se fijaron a la tubería.

ACCESORIOS DE MONTAJE EN SUELO/PARED

Cuando se utilizan los accesorios de montaje en pared/suelo de Jones Stephens es necesario perforar un agujero de tamaño adecuado utilizando una sierra de perforación. Consulte la siguiente tabla para elegir la sierra de perforación adecuada para el accesorio que se está utilizando.

ACCESORIOS DE MONTAJE EN PISO/PARED	TAMAÑO DE SIERRA CIRCULAR PARA ORIFICIOS
16 mm x 1/2"	7/8" (22mm)
20 mm x 1/2"	1-1/8" (29mm)
20 mm x 3/4"	1-1/8" (29mm)
26 mm x 1"	1-3/8" (35mm)
26 mm x 3/4"	1-3/8" (35mm)
32 mm x 1"	1-3/4" (44mm)

COLOCACIÓN DE LOS TUBOS

TRAMOS VERTICALES

Los tramos verticales dentro de las cavidades huecas de las paredes son el lugar preferido para la instalación de secciones verticales. Para evitar daños debe poder mover libremente la tubería en la cavidad de la pared sin soportes inmediatos entre pisos, pero debe estar apoyada en el punto de penetración entre pisos. El espacio entre soportes en tramos verticales no debe exceder 3.05 metros, exigiendo soportes solo donde la altura de cada piso sea mayor de 3.05 metros. El tramo debe cumplir la sección de Protección de este manual.

TRAMOS HORIZONTALES

Las áreas debajo, al lado o a través de las vigas del suelo y del techo u otros componentes estructurales son lugares típicos de instalación para las aplicaciones residenciales y comerciales. Los componentes estructurales se pueden considerar soportes para tuberías horizontales si cumplen los requisitos especificados en la tabla de abajo. El tramo debe cumplir la sección de Protección de este manual.

TAMAÑO DEL TUBO (mm)	TAMAÑO *EQUIVALENTE DE LA TUBERÍA (cm)	ESPACIADO MÍNIMO DE COLGADORES
16	3/8	40"
20	1/2	50"
26	3/4	60"
32	1	80"

*Eq. = tamaño equivalente más cercano en EE. UU.

INSTALACIÓN SUBTERRÁNEA

PEXALGAS requiere una profundidad mínima de entierro de 18".

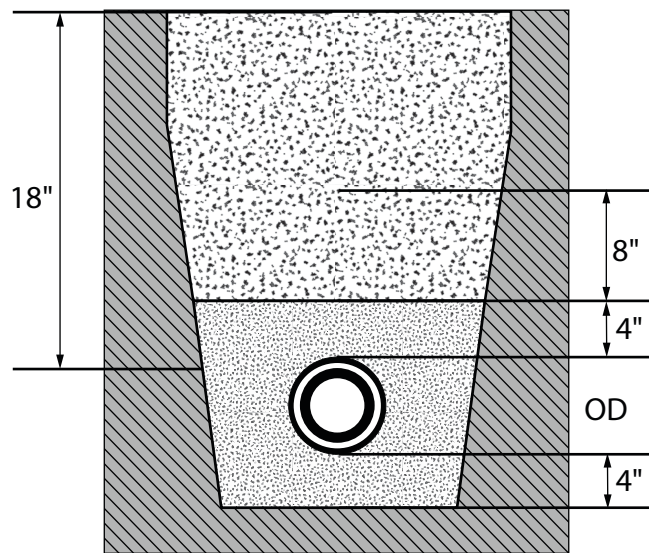
Bajo tierra, PEXALGAS siempre debe colocarse sobre una capa de arena o material inerte (tamizado con un tamaño de partícula no mayor a 0.1" o 2.5 mm).

Se debe colocar una capa de arena fina de al menos 4" (100 mm) en el fondo de la zanja (nivelada y libre de piedras); es importante que esta capa no sea demasiado compacta y que brinde buen soporte a la tubería.

Una vez colocada la tubería PEXALGAS, se deberá cubrir nuevamente con 4" (100 mm) de arena fina.

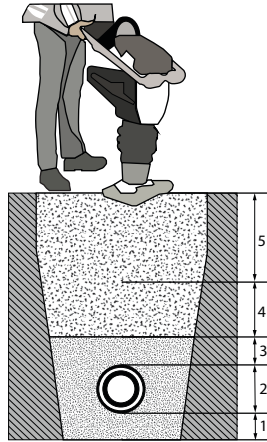
Se debe añadir una capa final de 8" (200 mm) de arena o tierra tamizada, que debe compactarse mecánicamente con un compactador liviano.

Por último, hasta el nivel del suelo, se puede usar escombros o tierra compactada para rellenar la zanja.



Si PEXALGAS no puede colocarse sobre arena fina, como se indica arriba, la tubería deberá protegerse e instalarse dentro de un conducto.

El conducto puede ser metálico o polimérico, pero debe ser lo suficientemente resistente como para proteger la tubería de piedras y otros restos.



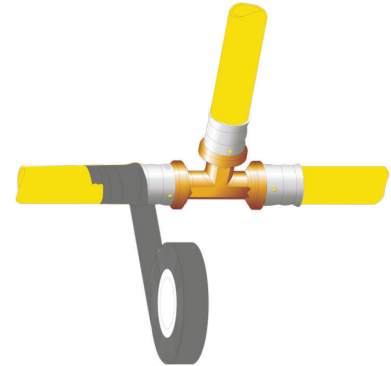
nº	Material	Height	Compaction
1	Fine Sand	4"	Manual
2	Fine Sand	Pipe diameter	Manual
3	Sand or sieved soil	4"	Manual
4	Sand or sieved soil	8"	Mechanical
5	Debris/Soil	Up to ground level	Mechanical

Jones Stephens no recomienda enterrar accesorios de latón, pero si estos se entierran bajo tierra y se instalan en condiciones particularmente húmedas y en contacto con el suelo, deberán protegerse. En tales casos, el instalador deberá cubrir los accesorios con cinta bituminosa autoadhesiva o cinta de silicona.

Se deberá instalar un cable localizador (tracer wire) junto a la tubería subterránea, conforme a la sección G2415.17.3 del IRC y la sección 404.17.3 del IFGC.

Las tuberías de gas no deben penetrar muros de cimentación por debajo del nivel del suelo. La tubería de gas debe entrar y salir del edificio por un punto ubicado por encima del nivel del suelo, y el espacio anular entre la tubería y la pared debe sellarse, conforme a la sección G2415.6 del IRC y la sección 404.6 del IFGC.

Cuando se instale tubería subterránea a través del muro exterior de cimentación o del sótano de un edificio, esta deberá estar revestida con una manga protectora o protegida mediante un método o dispositivo aprobado. El espacio entre la tubería de gas y la manga, así como entre la manga y el muro, deberá sellarse para evitar la entrada de gas o agua, conforme a la sección G2415.6 del IRC y la sección 404.6 del IFGC.



EXPANSIÓN/CONTRACCIÓN DE TUBERÍAS

El coeficiente de dilatación lineal de PEX-AL-PEX® es de 0.00017 in / ft * °F. Los colgadores utilizan la flexibilidad de las tuberías para acomodar la expansión y contracción de las longitudes rectas de la tubería del sistema PEXALGAS® de Jones Stephens. El uso de pinzas rígidas requiere acomodación para la expansión y contracción de la tubería del revestimiento. Se pueden utilizar varias técnicas.

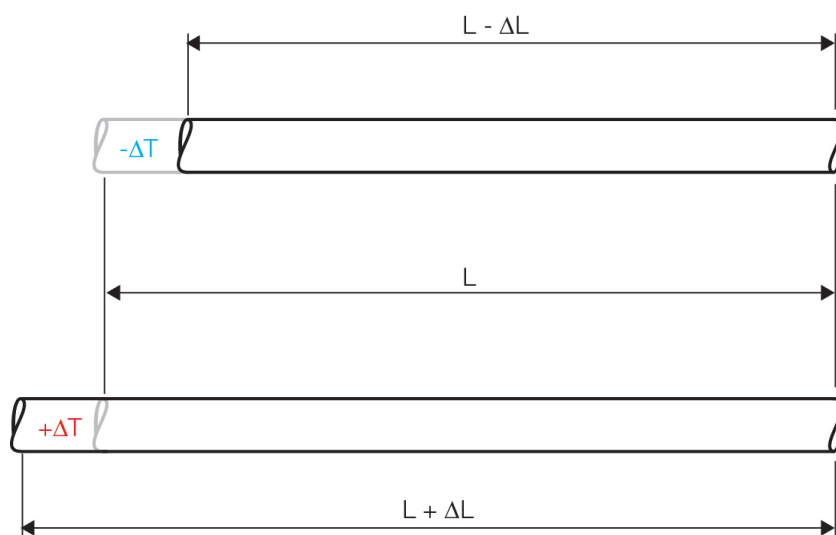
CONSIDERACIONES PRELIMINARES

Todos los materiales están sujetos a expansiones o contracciones, que son ocasionadas por el aumento o disminución de la temperatura. La variación en la longitud ΔL de una tubería de longitud L causada por una variación de la temperatura ΔT donde se instaló la tubería y la temperatura actual está dada por:

$$\Delta L = \alpha \cdot L \cdot \Delta T$$

donde, α es el coeficiente de dilatación térmica lineal del material.

La siguiente cifra puede utilizarse para calcular la dilatación o la contracción de una tubería en relación a la diferencia en temperatura a la cual esté sometida.



La prevención de dicha variación en la longitud del material debería generar una tensión de tracción (con $\Delta T < 0$) o una tensión de compresión (con $\Delta T > 0$) dada por:

$$\sigma = E \cdot \alpha \cdot \Delta T$$

donde E es el módulo de elasticidad del material.

Al calcular las dilataciones o contracciones, siempre hay que tener en cuenta la diferencia entre la temperatura a la que se instaló (o se instalará) la tubería y la temperatura máxima/mínima prevista cuando el sistema esté en funcionamiento.

El coeficiente de dilatación lineal de PEX-AL-PEX® es de 0.00017 in / ft * °F).

Los efectos de la dilatación y la contracción térmica de los materiales plásticos influyen en los métodos de instalación de los sistemas de suministro de gas, que requieren normas diferentes según el tipo de instalación elegido (consulte las secciones siguientes para obtener más detalles).

Ejemplo:

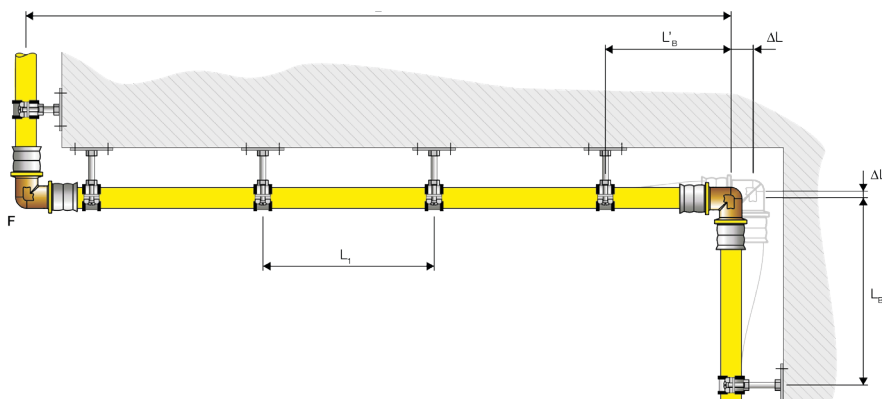
Calcule la expansión térmica lineal de una tubería PEXALGAS® de 7.92 metros que se instala a una temperatura de 10 °C y está sujeta a una temperatura máxima de 60 °C.

Con la fórmula que se dio arriba y considerando el coeficiente de expansión térmica de PEX-AL-PEX, tenemos:

$$\Delta L = \alpha \cdot L \cdot \Delta T = 0.00017 \cdot 26 \cdot (140-50) = 0.40 \text{ in}$$

COMPENSACIÓN MEDIANTE BRAZO FLEXIBLE (TIPO L)

Este tipo de compensación aprovecha los cambios de dirección de las tuberías; el segmento de tubería (brazo flexible) de longitud L_B acomoda el movimiento como resultado de la expansión térmica de un segmento de tubería de longitud L perpendicular a él. En este caso, se debe garantizar la correcta distancia de la tubería a las paredes para permitir el movimiento, por lo que es necesario instalar los soportes según la estructura del brazo flexible.



La longitud del brazo flexible L_B [en] se calcula mediante la fórmula:

$$L_B = C \cdot \sqrt{D_e \cdot \Delta L}$$

donde C es la constante del material, que para las tuberías multi-capa de PEXALGAS® es 33, D_e es el diámetro de la tubería [en] y ΔL es el cambio en la longitud del segmento de tubería a acomodar.

Ejemplo:

Calcule la longitud del brazo flexible de una tubería PEXALGAS® de 1" (32 mm) de diámetro y 160 ft de longitud que se instala a una temperatura de 70° F (21° C) y está sometida a una temperatura máxima de 130° F (54° C).

La dilatación térmica de la sección de la tubería es:

$$\Delta L = \alpha \cdot L \cdot \Delta T = 0.00017 \cdot 160 \cdot (130 - 70) = 1.63 \text{ in}$$

y, utilizando la fórmula, se calcula el brazo de desviación L_B :

$$L_B = C \cdot \sqrt{De \cdot \Delta L} = 33 \cdot \sqrt{1.26 \cdot 1.63} = 47.29 \text{ in}$$

$$47.29 \text{ in} = 3.94 \text{ ft}$$

El mismo brazo flexible (L_B) está sometido a una dilatación térmica de:

$$\Delta L' = \alpha \cdot L_B \cdot \Delta T = 0.00017 \cdot 3.94 \cdot (130 - 70) = 0.04 \text{ in}$$

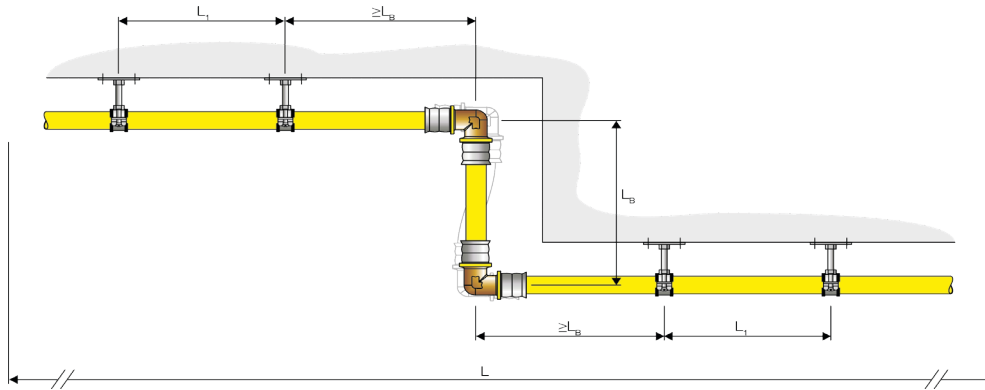
y requiere, por tanto, que una parte de la sección de la tubería principal esté libre para ajustarse a esta dilatación, el brazo que está libre para dilatarse es:

$$L'_B = C \cdot \sqrt{De \cdot \Delta L'} = 33 \cdot \sqrt{1.26 \cdot 0.04} = 7.41 \text{ in}$$

COMPENSACIÓN MEDIANTE DESALINEACIÓN FLEXIBLE DEL BRAZO (TIPO Z)

Este tipo de compensación se beneficia de una desalineación de la tubería; la sección de tubería (brazo flexible) de longitud L_B acomoda las expansiones de la tubería de longitud L perpendicular a ella.

La distancia entre el brazo flexible y los soportes no debe ser inferior a la longitud del brazo flexible L .



La longitud del brazo flexible L_B [mm] se calcula mediante la fórmula:

$$L_B = 0.65 \cdot C \cdot \sqrt{De \cdot \Delta L}$$

donde, C es la constante del material, que para las tuberías PEXALGAS es 33, De es el diámetro de la tubería [in] y ΔL es el cambio en la longitud del segmento de tubería que se va a acomodar.

Ejemplo:

Calcule la longitud de la desviación del brazo flexible de una tubería PEXALGAS® de 3/4" (26 mm) de diámetro y 130 ft de longitud instalada a una temperatura de 50° F (10° C) y sometida a una temperatura máxima de 120° F (49° C).

La dilatación térmica de la sección de la tubería es:

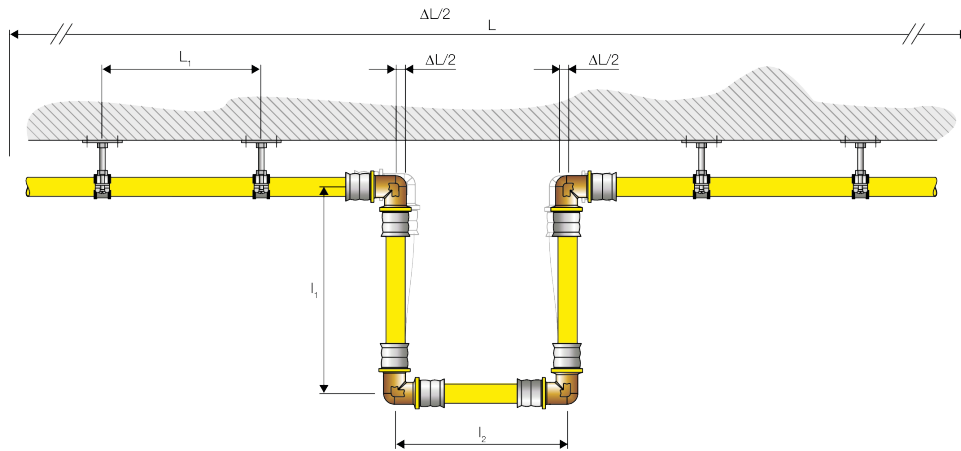
$$\Delta L = \alpha \cdot L \cdot \Delta T = 0.00017 \cdot 130 \cdot (120 - 50) = 1.55 \text{ in}$$

y, utilizando la fórmula, se calcula el brazo de desviación L_b :

$$L_b = 0.65 \cdot C \cdot \sqrt{De \cdot \Delta L} = 0.65 \cdot 33 \cdot \sqrt{1.02 \cdot 1.55} = 26.97 \text{ in}$$

CODO DE EXPANSIÓN "OMEGA" (TIPO U)

Este tipo de compensación se emplea generalmente en elevadores o en colectores de sótano cuando las expansiones no se pueden acomodar por los cambios de dirección de las tuberías. Mientras que en el caso de la compensación del brazo de desviación, se utilizan los cambios de dirección del sistema, en este caso la configuración debe ser creada específicamente.



La longitud total de la curva de expansión "omega" L_b [in] se calcula mediante la fórmula (que también se muestra en el siguiente diagrama):

$$L_b = 2 \cdot l_1 + l_2 = C \cdot \sqrt{De \cdot \Delta L}$$

donde, C es la constante del material, que, para las tuberías PEXALGAS es 33, De es el diámetro de la tubería [mm], ΔL es el cambio de longitud de la sección de la tubería a acomodar, l_1 y l_2 son los lados de la curva de expansión "omega". La compensación "omega" debe configurarse en función del espacio disponible; no obstante, siempre que sea posible, se recomienda mantener la siguiente relación dimensional:

$$l_1 = 2 \cdot l_2$$

y por lo tanto:

$$l_1 = 0.4 \cdot L_b$$

$$l_2 = 0.2 \cdot L_b$$

Example:

Calcule la flexión de dilatación "omega" para la sección de tubería PEXALGAS® de 1" (32 mm) de diámetro y 82 ft de longitud que se instala a una temperatura de 60° F (16° C) y está sometida a una temperatura máxima de 150° F (66° C).

La dilatación térmica de la sección de la tubería es:

$$\Delta L = \alpha \cdot L \cdot \Delta T = 0.00017 \cdot 82 \cdot (150 - 60) = 1.25 \text{ in}$$

y, utilizando la fórmula o el diagrama visto anteriormente, se calcula la longitud total para el L_B "omega":

$$L_B = C \cdot \sqrt{De \cdot \Delta L} = 33 \cdot \sqrt{1.26 \cdot 1.25} = 41.49 \text{ in}$$

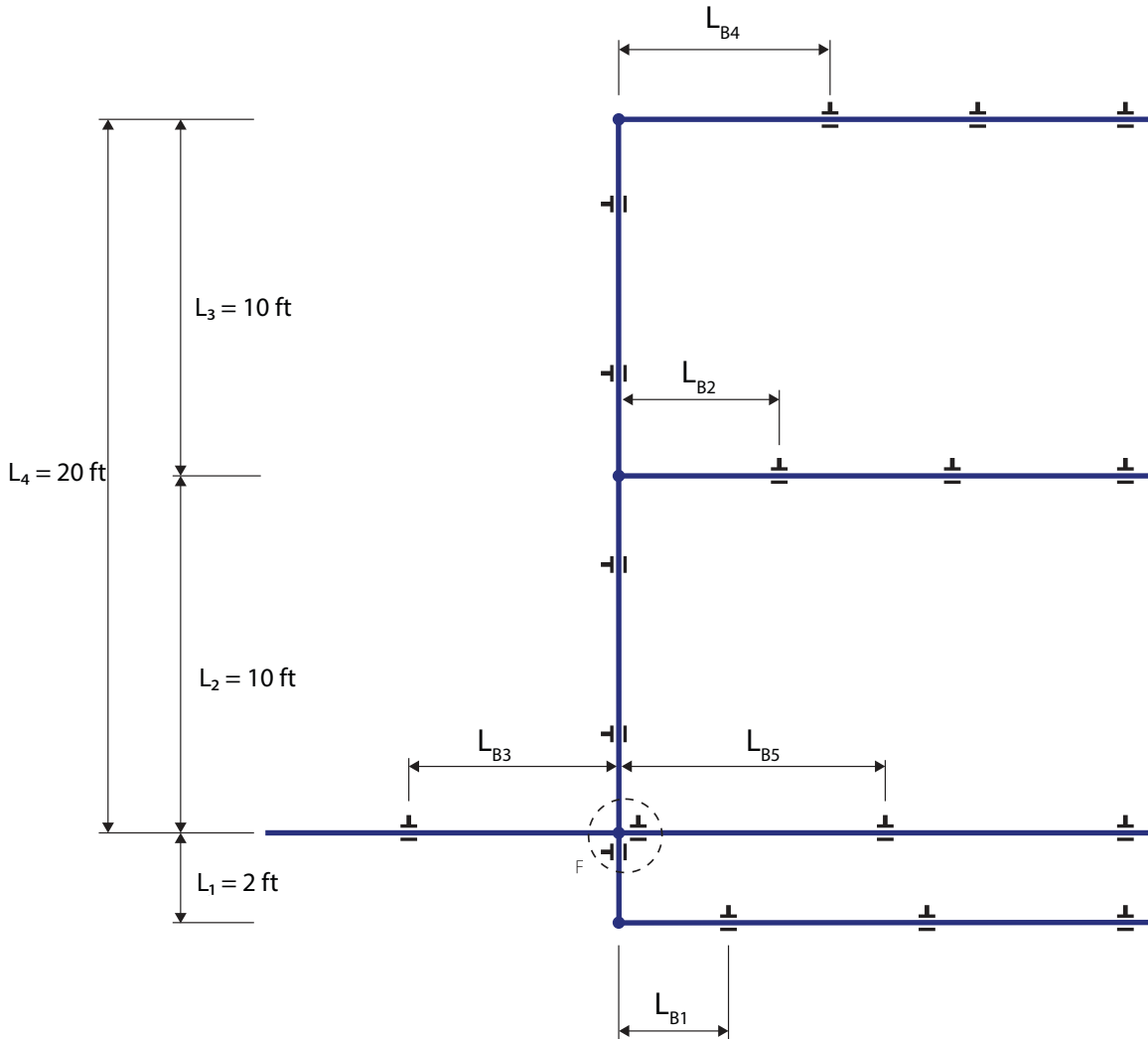
Y tomando en consideración la razón dimensional sugerida, el resultado es:

$$I_1 = 0.4 \cdot L_B = 0.4 \cdot 41.49 = 16.6 \text{ in}$$

$$I_2 = 0.2 \cdot L_B = 0.2 \cdot 41.49 = 8.3 \text{ in}$$

Ejemplo:

Calcule los brazos flexibles para el sistema de suministro de gas indicado en la figura creado con tubería PEXALGAS®, instalada a una temperatura de 50° F (10° C) y sometida a una temperatura máxima de 140° F (60° C).



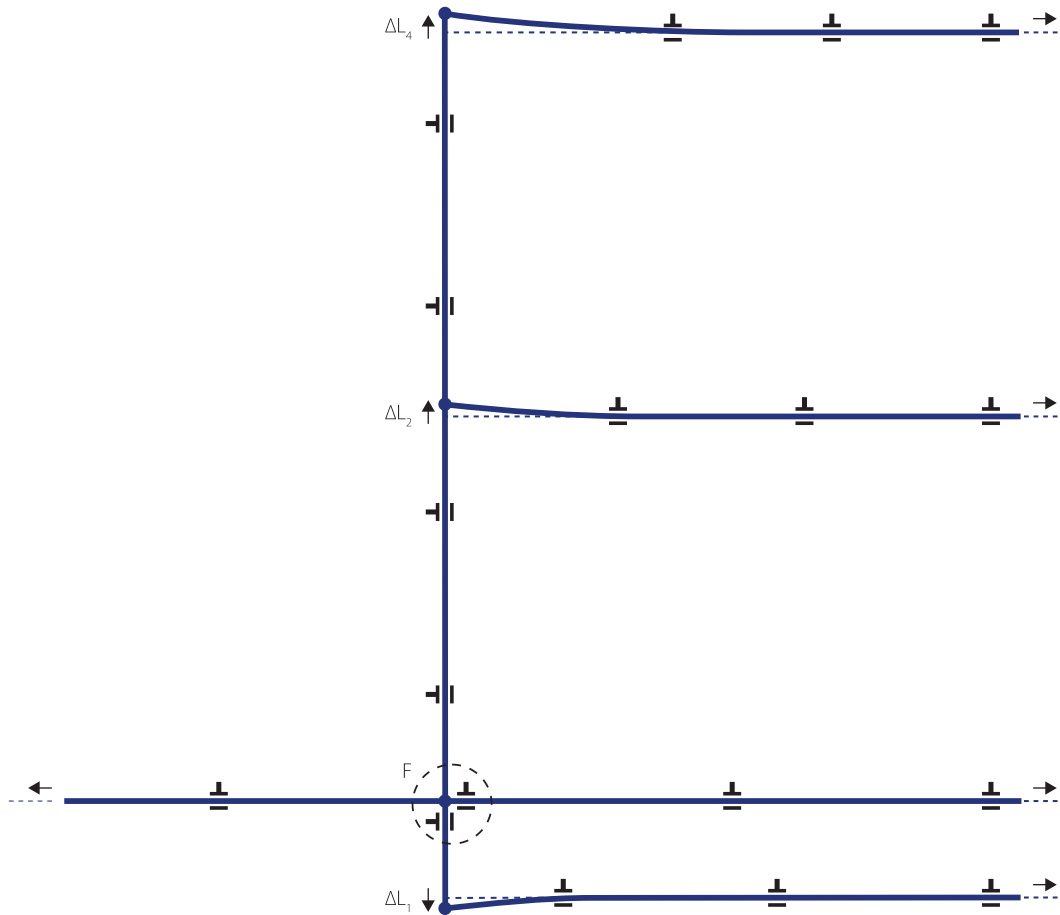
Las secciones de tubería L_{B3} y L_{B5} no están sujetas a flexión debido al punto de anclaje (F) cerca del ramal transversal.

Las secciones sometidas a flexión son:

L_{B1} que representa el brazo flexible de la sección L_1 ,

L_{B2} que representa el brazo flexible de L_2 ,

L_{B4} que representa el brazo flexible de $L_4 = L_2 + L_3$.



Las extensiones de las secciones mencionadas anteriormente son:

$$\Delta L_1 = \alpha \cdot L_1 \cdot \Delta T = 0.00017 \cdot 2 \cdot (140 - 50) = 0.03 \text{ in}$$

$$\Delta L_2 = \alpha \cdot L_2 \cdot \Delta T = 0.00017 \cdot 10 \cdot (140 - 50) = 0.15 \text{ in}$$

$$\Delta L_4 = \alpha \cdot L_4 \cdot \Delta T = 0.00017 \cdot 20 \cdot (140 - 50) = 0.31 \text{ in}$$

que corresponden a los siguientes brazos flexibles:

$$L_{B1} = C \cdot \sqrt{(De1 \cdot \Delta L_1)} = 33 \cdot \sqrt{(1.26 \cdot 0.03)} = 6.42 \text{ in}$$

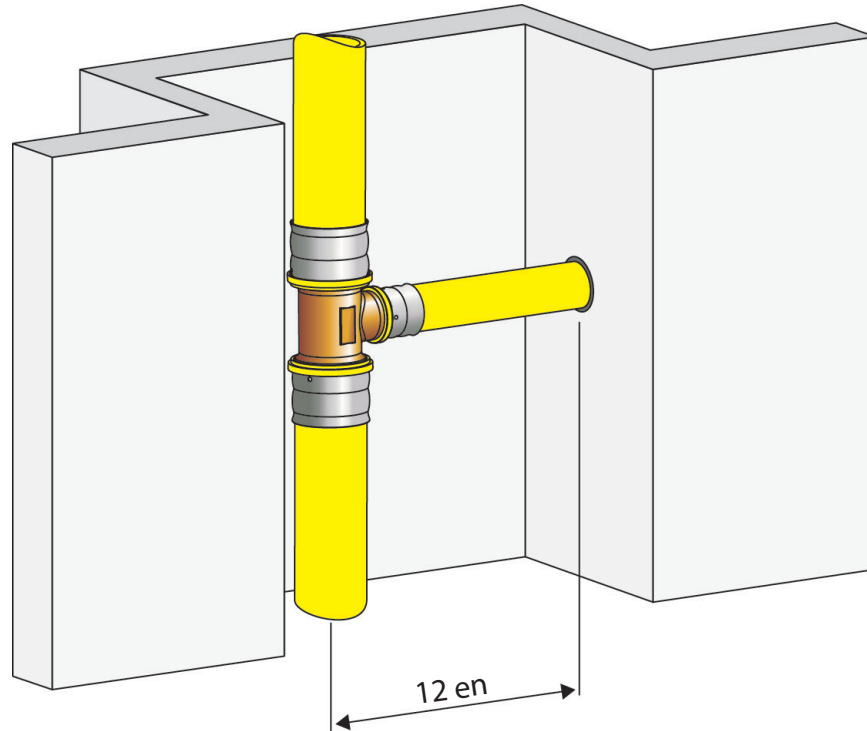
$$L_{B2} = C \cdot \sqrt{(De2 \cdot \Delta L_2)} = 33 \cdot \sqrt{(1.26 \cdot 0.15)} = 14.35 \text{ in}$$

$$L_{B4} = C \cdot \sqrt{(De4 \cdot \Delta L_4)} = 33 \cdot \sqrt{(1.02 \cdot 0.31)} = 18.56 \text{ in}$$

Ejemplo:

La figura muestra un eje en el que se ha instalado un elevador, sujeto a una expansión térmica cerca del ramal de 20 ft.

Evaluar si el cambio de dirección realizado con una tubería multicapa Jones Stephens de 1/2" (20 mm) PEXALGAS pipe es suficiente para acomodar tal expansión, teniendo en cuenta las geometrías indicadas en la figura.



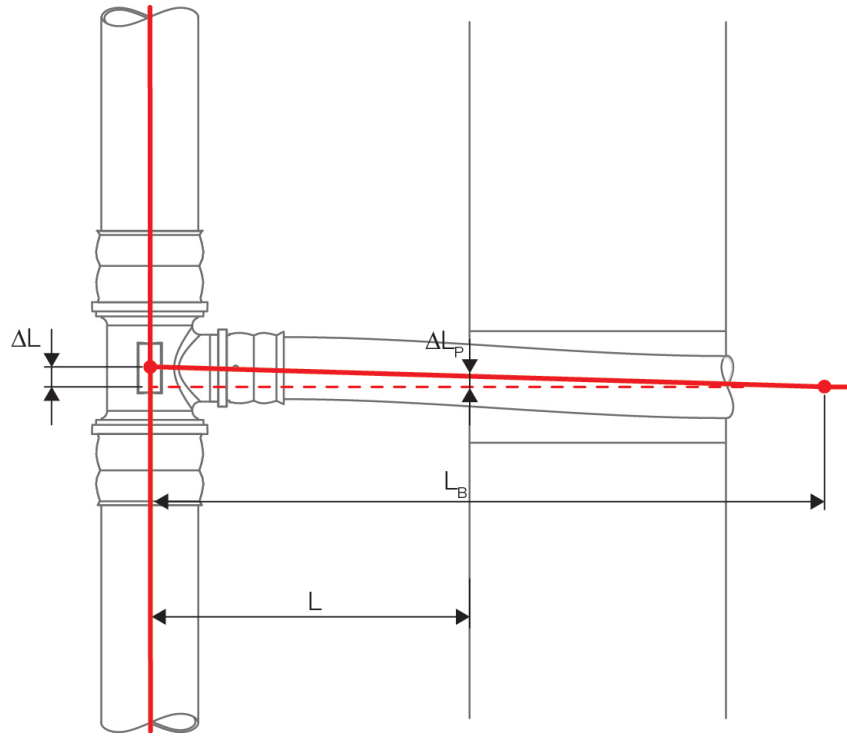
En la figura podemos ver que el espacio disponible para crear un brazo flexible es $L = 12$ en. que es la distancia entre la pared, por donde ocurre el cambio de dirección y la tubería ascendente.

Es necesario asegurarse de que esta distancia es suficiente para permitir que la tubería se flexione sin que se dañe, por lo que es necesario calcular la longitud real del brazo flexible y determinar si es menor que el espacio disponible.

En el punto indicado, la expansión $\Delta L = 0.25$ in, la longitud del brazo flexible real es por lo tanto:

$$LB = C \cdot \sqrt{De \cdot \Delta L} = 33 \cdot \sqrt{0.79 \cdot 0.25} = 14.7 \text{ in} > 12 \text{ in}$$

Se requiere un mayor espacio para que la tubería tenga suficiente margen de movimiento; sin embargo, si la tubería PEXALGAS se instala con aislante en el lugar donde atraviesa el muro, éste podría ser capaz de absorber parte de la flexión que la tubería ejerce dentro de la pared misma. Es posible calcular aproximadamente el grado de movimiento de la tubería dentro de la pared para verificar si el aislante puede absorber el movimiento.



$$\Delta L_p = \Delta L * (L_b - L) / L_b = 0.25 * 2.7 / 14.7 = 0.046 \text{ in}$$

PROTECCIÓN

INTRODUCCIÓN

La tubería de Jones Stephens debe estar protegida contra daños físicos causados por tornillos, clavos, brocas, etc. La tubería es más susceptible a perforaciones en todos los puntos de apoyo. La mejor práctica es instalar la tubería en aquellas áreas donde se minimiza la probabilidad de daño físico y no se necesita protección; por ejemplo:

- A. Cuando la tubería esté soportada para permitir un desplazamiento mínimo de 3 pulgadas o para exceder la longitud de los sujetadores utilizados durante la construcción, lo que sea mayor.
- B. Donde cualquier tubería no soportada pueda desplazarse en la dirección de una posible penetración al menos 3 pulgadas, o exceda la longitud de los sujetadores utilizados durante la construcción, lo que sea mayor.
- C. Donde la tubería está apoyada debajo de la vigueta en sótanos o espacios de acceso y no está oculta por tablas de techos.

Cuando las tuberías de Jones Stephens se instalan en lugares donde existe la posibilidad de daño físico, se deben utilizar placas de impacto, clasificadas para tuberías de gas. La tubería también puede colocarse dentro de un conducto enrollado en tiras o una tubería de acero cédula 40 cuando se requiera protección.

En áreas donde ocurre la penetración a través de montantes, viguetas, placas y otros miembros estructurales similares, se requiere protección de percutor cuando se aplican todos los criterios siguientes:

1. Cuando el sistema de tuberías está instalado en un lugar oculto y no se puede ver.
2. Cuando el sistema de tuberías se instala en una ubicación que no permite el libre movimiento para evitar amenazas de perforación.
3. Cuando el sistema de tuberías esté instalado a menos de 3 pulgadas de los posibles puntos de penetración, o exceda la longitud de los sujetadores utilizados durante la construcción, lo que sea mayor.

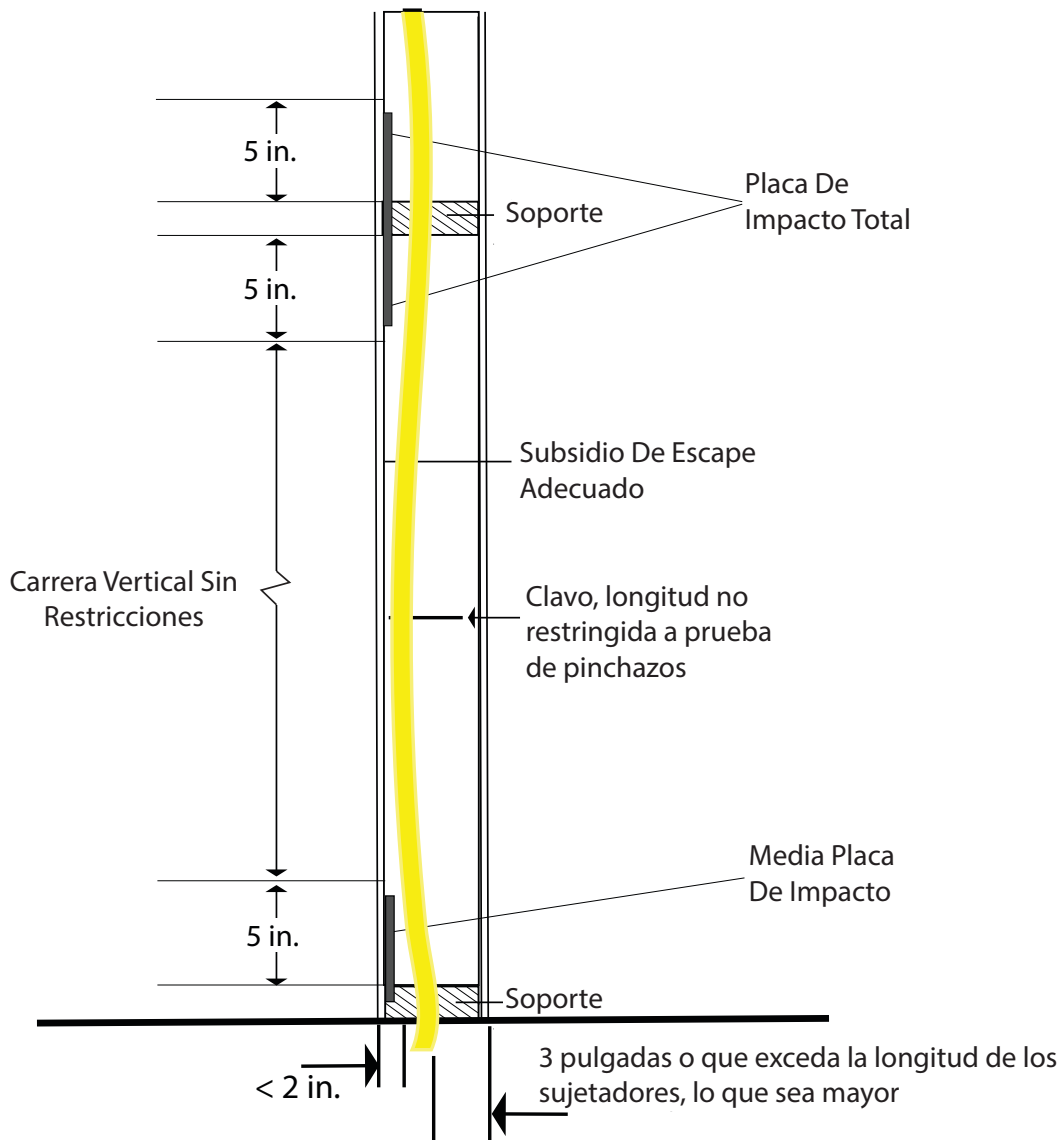
LAS PLACAS DE IMPACTO

Las placas de impacto se utilizan para evitar daños en las tuberías en áreas donde existen posibles amenazas de penetración a través de montantes, vigas, placas y otros elementos estructurales similares. Para instalaciones en las que se aplican los tres criterios anteriores, la tubería PEXALGAS debe protegerse de forma adecuada contra el riesgo de pinchazos o daños físicos en todos los puntos de penetración a través de montantes, vigas, placas o estructuras similares utilizando placas protectoras de acero endurecido calibre 16 de acuerdo con el código de gas combustible estatal y/o local requerido.

CONDUCTO DE METAL RAYADO

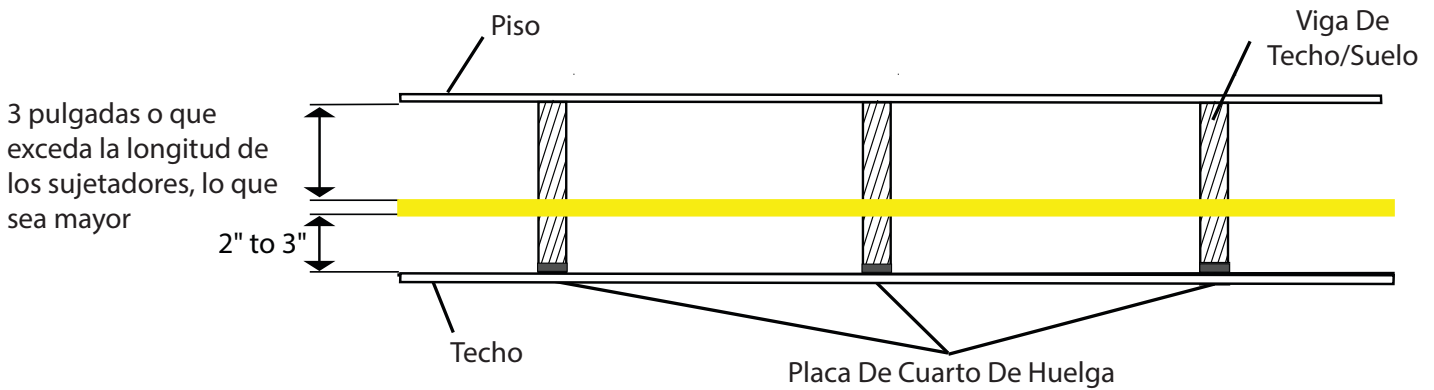
- A. En los puntos de terminación no cubiertos por las especificaciones ANSI, se instalará un conducto metálico estándar enrollado en tiras como protección adicional. El conducto enrollado en tiras no se debe utilizar como sustituto de las placas de impacto cuando la tubería pasa a través de los miembros estructurales.
- B. También se utilizará conducto metálico enrollado para proteger las tuberías de posibles perforaciones cuando se instalen en una ubicación oculta donde no puedan desplazarse al menos 3" (o exceder la longitud de los sujetadores utilizados durante la construcción, lo que sea mayor) de una posible perforación, o cuando el recorrido de la tubería esté restringido por obstáculos o puntos de apoyo intermedios que impidan su libre movimiento.
- C. Los tubos de acero Schedule 40 son una alternativa aceptable para la protección contra perforaciones. La tubería de acero se puede utilizar cuando no sea razonable instalar placas de impacto estándar.

- A. En puntos de soporte ocultos y puntos de penetración a menos de 2 pulgadas de cualquier borde de un travesaño, vigueta, placa, etc., se requiere protección en el área de soporte y extendiéndose 5 pulgadas en una o ambas direcciones (si corresponde).

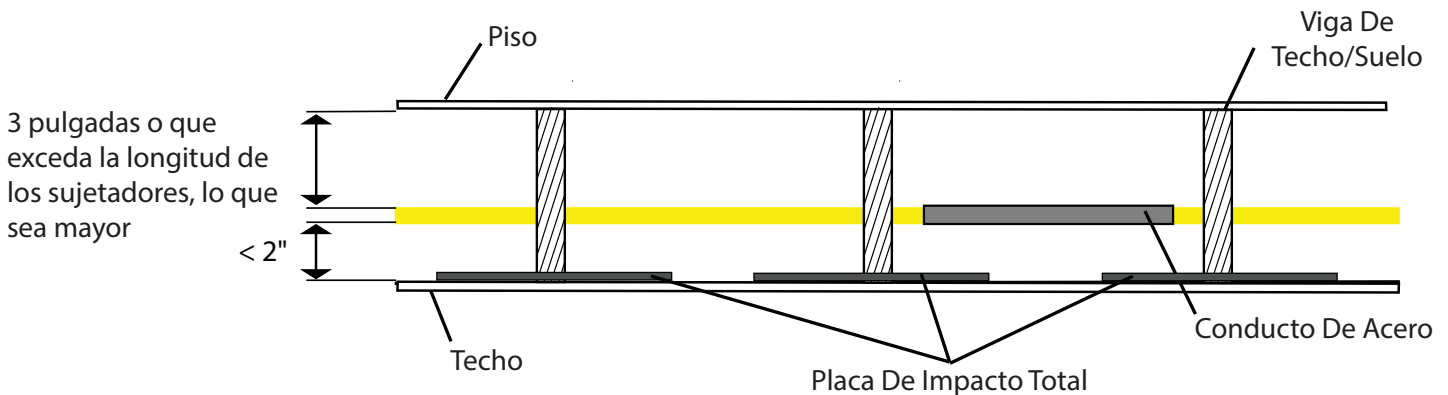


*El dibujo no está a escala

- B. En puntos de soporte ocultos y puntos de penetración dentro de 2 a 3 pulgadas de cualquier travesaño, viga, placa, etc., se requieren protectores de cuarto en el área de apoyo.



- C. Las tuberías tendidas horizontalmente a través de miembros estructurales deben protegerse de las amenazas de perforación con el material de protección apropiado. En las juntas de penetración, se deben utilizar protectores de postes listados del tamaño apropiado. Tuberías entre restricciones que cumplan con los criterios que requieren placas de impacto completas, deben estar protegidas adicionalmente por un conducto metálico enrollado en tiras o schedule 40 tubo de acero a lo largo de toda su longitud.



- D. Las tuberías de más de 32 mm de diámetro nominal (26 mm de diámetro interior) instaladas dentro de una cavidad de pared hueca oculta de 2" x 4" de construcción deberán estar protegidas a lo largo de todo el recorrido oculto con un conducto metálico enrollado en tiras, o con una tubería de sección 40.
- E. Si un cielo raso sin terminar (es decir, un sótano) se cubriera en una fecha posterior, las placas de los cuartos de finalización deben reemplazarse con dispositivos de protección apropiados que brinden protección adecuada para posibles amenazas de penetración.
- D. Cuando se instala a lo largo del lado de una estructura en una condición expuesta entre el suelo y una altura de 1.83 metros, PEXALGAS se debe instalar en un lugar que no exponga la tubería a daños mecánicos o se debe proteger dentro de un conducto metálico o una cubierta protectora.

INSTALACIÓN EN PAREDES AISLADAS

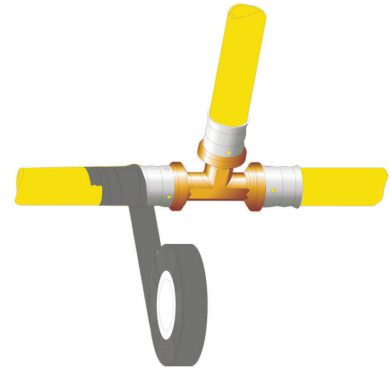
Las instalaciones rígidas presentan amenazas de perforación significativas para Jones Stephens PEXALGAS® en espacios ocultos.

En espacios ocultos, por ejemplo cavidades de la pared, el aislamiento rígido evitará que Jones Stephens PEXALGAS® se desplace. PEXALGAS de Jones Stephens no debe instalarse en una cavidad de pared con aislamiento de espuma sin protección adicional como se describe a continuación.

- A. Las tuberías deben ser colocadas a través de un tubo de acero rígido o un conducto flexible en las paredes donde se colocará aislamiento “espumado”. Es decir, tubería o conducto de acero rígido. Este conducto debe asegurarse de acuerdo con las prácticas de construcción locales.
- B. Cuando la tubería se fije al revestimiento de las paredes exteriores con abrazaderas para cables, se deberá proteger toda su longitud con tubo de acero o conducto flexible.
- C. Cuando la tubería se instala dentro de las paredes con aislamiento de guata, la tubería debe colocarse entre la cara (papel artesanal / barrera de vapor) y la superficie de la pared. Si se instala en una ubicación oculta, a menos de 3" de una posible amenaza de perforación, el tramo deberá protegerse con un conducto enrollado o un tubo de acero.
- D. La tubería PEXALGAS® no necesita protección adicional donde está a más de tres pulgadas de cualquier amenaza de perforación, aunque se debe considerar la posibilidad de que pudiera desplazarse hacia amenazas de penetración a medida que se aplica el aislamiento y durante el curado.

PROTECCIÓN DE ACCESORIOS

Si los accesorios se instalan en condiciones particularmente húmedas, empotrados en el suelo o están sujetos a compuestos especialmente agresivos (como concreto o argamasas de cemento), deben estar protegidos. En estos casos, el instalador debe cubrir los accesorios con cinta bituminosa autoadhesiva o cinta de silicona.



CONEXIONES DE LOS MEDIDORES

MEDIDORES SIN SOPORTE

- A. Los medidores que dependen del servicio y de la tubería de la casa como soporte no deben conectarse directamente PEXALGAS®.
- B. El uso de un accesorio de terminación exterior montado en el exterior de la estructura, un empalme de contador, otro accesorio de terminación montado rígidamente o la transición a una tubería negra rígida son métodos de transición aceptables.

MEDIDOR AUTOSOPORTADO

- A. Meters which are independently supported by a bracket shall not be directly connected to the flexible gas piping.
- B. El uso de un accesorio de terminación exterior montado en el exterior de la estructura, un empalme de contador, otro accesorio de terminación montado rígidamente o la transición a una tubería negra rígida son métodos de transición aceptables.

CONEXIONES DE LOS APARATOS

ELECTRODOMÉSTICOS MÓVILES

IMPORTANTE: LAS TUBERÍAS Y ACCESORIOS DE JONES STEPHENS NO ESTÁN CLASIFICADOS COMO CONECTORES DE APARATOS FLEXIBLES Y NO DEBEN CONECTARSE DIRECTAMENTE A APARATOS MÓVILES.

- A. Cuando utilice tuberías de gas Jones Stephens con electrodomésticos móviles como estufas o secadoras, la tubería debe terminar rígidamente antes del electrodoméstico. Las salidas de los aparatos, los accesorios de terminación o la transición a una tubería negra rígida son medios aceptables para terminar PEXALGAS® antes del aparato.
- B. La conexión final desde el punto de terminación PEXALGAS® a un aparato móvil debe realizarse con un conector de aparato flexible u otro dispositivo de conexión aprobado.

ELECTRODOMÉSTICO NO MÓVIL

- A. La tubería de Jones Stephens se puede conectar directamente a un aparato no móvil como un horno o calentador de agua (asegúrese de verificar con el código local si esto es aceptable antes de la instalación).
- B. En este tipo de aplicación, no se requiere un accesorio de terminación y la tubería debe terminar en la válvula de cierre del artefacto.

APLICACIONES ESPECIALES

La exposición prolongada a los rayos UV debido a la luz solar directa es perjudicial para todas las tuberías PEXALGAS®. Jones Stephens no recomienda ni garantiza el uso de PEX-AL-PEX bajo la luz solar directa. Para instalaciones al aire libre, se debe tener especial cuidado de que el Jones Stephens PEX-AL-PEX no se deje expuesto a la luz solar y se debe tener especial cuidado para proteger el sistema de tuberías de daños accidentales.

Cuando se instala a lo largo del lado de una estructura en una condición expuesta entre el suelo y una altura de 1.83 metros, PEXALGAS se debe instalar en un lugar que no exponga la tubería a daños mecánicos o se debe proteger dentro de un conducto metálico o una cubierta protectora.

CALENTADORES INFRARROJOS

Los calentadores infrarrojos montados en techos y paredes de estructuras se conectarán al sistema de tubería de gas de Jones Stephens ANSI 383.6 "Norma para calentadores infrarrojos de gas".

APARATOS DE GAS MONTADOS EN PLATAFORMA

Los aparatos de gas montados sobre plataformas o bloques de hormigón, como bombas de calor, acondicionadores de aire, calentadores de piscinas y sistemas de repostaje de GNV, se conectarán al sistema de tuberías de gas de Jones Stephens en un accesorio de terminación utilizando una tubería rígida o un conector de aparato exterior aprobado. El equipo montado en pedestal (en la mayoría de los casos) se considera "fijo" si no se mueve para limpieza, mantenimiento, etc. (por ejemplo, unidades de aire acondicionado).

CHIMENEAS DE GAS

ATENCIÓN: LAS TUBERÍAS DE GAS DE JONES STEPHENS NO DEBEN COLOCARSE DIRECTAMENTE EN UN RECINTO METÁLICO DE CHIMENEA. LA CONEXIÓN DE LA TUBERÍA DEBE REALIZARSE FUERA DEL RECINTO A UNA SECCIÓN DE TUBERÍA METÁLICA RÍGIDA.

- A. Al enrutar la tubería de gas de Jones Stephens a través de una construcción de mampostería, para la conexión a chimeneas de gas y leños de gas, se requiere que la tubería esté envuelta en un conducto no metálico a través de la estructura de mampostería. El espacio anular entre la tubería y la manga debe sellarse tanto en el interior como en el exterior.
- B. Para cualquier aplicación de chimeneas donde se desee la instalación de tuberías de gas Jones Stephens, se debe utilizar un Stubout para chimenea para terminar la tubería fuera del recinto. Si bien otras prácticas de instalación enumeradas son aceptables, se prefiere este método para evitar daños inadvertidos, que pueden ser causados por el cerramiento de la chimenea, al sistema PEXALGAS®.
- C. Se requiere el cumplimiento de los códigos locales y las instrucciones del fabricante; asegúrese de conocer y comprender todos los requisitos antes de la instalación.

REGULADORES DE PRESIÓN Y INSTALACIÓN DE LA LÍNEA DE VENTILACIÓN

Se requiere un sistema de tubería de gas Jones Stephens que utilice presiones de línea de gas superiores a ½ PSI para usar un regulador de presión de línea de agua arriba de los aparatos para reducir la presión de la línea a menos de ½ PSI. El regulador incorporará una construcción que se "bloqueará" en condiciones sin flujo para limitar la presión agua abajo a no más de 1/2 PSI. Las siguientes pautas destacan los requisitos de la mayoría de los códigos de gas combustible y son solo para su referencia. El regulador deberá cumplir con una norma reconocida a nivel nacional para reguladores de presión. La instalación del regulador debe realizarse de acuerdo con las instrucciones del fabricante y los requisitos del código de gas combustible local.

Los reguladores utilizados para reducir la presión elevada del sistema para el uso de electrodomésticos también deben cumplir con lo siguiente:

Dimensionado para suministrar la carga requerida del aparato.

Equipado con un dispositivo limitador de ventilación aceptable, suministrado por el fabricante, o que pueda ventilarse a la atmósfera exterior.

Instalado de acuerdo con las instrucciones impresas del fabricante.

Instalado en un lugar accesible.

Se debe instalar una válvula de cierre certificada por CSA Design antes del regulador de presión.

REQUISITOS DE VENTILACIÓN DEL REGULADOR

LÍNEAS DE VENTILACIÓN

Se requiere ventilación para todos los reguladores para evitar la acumulación de gas en un área cerrada en caso de que el diafragma del regulador se rompa. Las líneas de ventilación deben tener el tamaño adecuado según las instrucciones del fabricante e instalarse para garantizar un funcionamiento adecuado.

DIRECTRICES DE INSTALACIÓN DE LA LÍNEA DE VENTILACIÓN:

La línea de ventilación no debe ser más pequeña que la ventilación conectada al regulador de presión.

El tamaño mínimo recomendado de la línea de ventilación para el regulador es una tubería de cobre de diámetro interno nominal de 1/4 pulgada u otro material aprobado. La longitud máxima instalada para la línea de ventilación de este tamaño debe ser inferior a 30 pies. Se pueden usar líneas de ventilación de mayor diámetro si es necesario.

Para determinar el tamaño adecuado de la línea de ventilación para una instalación en particular, puede ser necesario realizar una prueba con la línea de ventilación y el regulador en condiciones de uso normal para garantizar el funcionamiento correcto del regulador. Consulte con el fabricante del regulador para conocer las limitaciones de longitud y tamaño de la línea de ventilación.

El respiradero debe estar diseñado e instalado para evitar la entrada de agua, insectos u otros materiales extraños que podrían causar obstrucciones.

Bajo ninguna circunstancia se debe ventilar un regulador a la chimenea del aparato o al sistema de escape del edificio.

OPCIÓN LIMITADOR DE VENTILACIÓN:

Los limitadores de ventilación son una opción de ventilación alternativa disponible en algunos reguladores. Cuando se desea un limitador de ventilación, se deben seguir todas las pautas de instalación para el limitador de ventilación y el regulador para garantizar el funcionamiento adecuado de la unidad.

DIRECTRICES DE INSTALACIÓN DEL LIMITADOR DE VENTILACIÓN:

Los reguladores deben instalarse en posición vertical horizontal y en un área bien ventilada cuando se usa un limitador de ventilación. Consulte con el código local antes de la instalación.

Solo se puede usar un limitador de ventilación suministrado por el fabricante del regulador, no se debe instalar ninguna tubería entre el regulador y el dispositivo limitador de ventilación.

Los fluidos de detección de fugas no se pueden usar en los limitadores de ventilación, ya que pueden causar corrosión y fallas operativas.

Retire el limitador de ventilación y verifique la abertura de ventilación si se sospecha que hay una fuga en el diafragma. Recuerde, los reguladores "respirarán" al regular, creando una burbuja - Una fuga hará burbujas constantemente. No realice una prueba de fugas en el limitador de ventilación con una solución líquida de prueba de fugas. Esta acción contaminará el mecanismo de retención de bola interno o taponará el orificio de respiración, lo que provocará un funcionamiento errático del regulador.

Los limitadores de ventilación no deben usarse en el exterior o en cualquier lugar donde estén sujetos a daños por el medio ambiente. Los dispositivos de protección de ventilación deben usarse en instalaciones al aire libre.

INSPECCIÓN Y PRUEBA DE PRESION

PROTECCIÓN CONTRA SOBREPRESURIZACIÓN

Los sistemas de gas que utilizan presiones superiores a 2 PSI hasta 5 PSI deben utilizar OPD (dispositivos de protección contra sobrepresión).

INSPECCIÓN Y PRUEBA DE PRESION

La instalación final debe ser inspeccionada y probada para detectar fugas a 1-1/2 veces la presión máxima de trabajo, pero no menos de 3 PSI, utilizando los procedimientos especificados en el Capítulo 7 "Inspección, prueba y purga" del Código Nacional de Gas Combustible. NFPA 54 / ANSI Z223.1. En Canadá, consulte las secciones correspondientes de CAN / CGA - B149 Códigos de instalación.

Se recomiendan presiones de prueba máximas: 40 PSI MAX.

Las soluciones para pruebas de fugas pueden ocasionar corrosión en algunos tipos de material en el sistema de tuberías de gas. Use solo soluciones de detección de fugas no corrosivas. Enjuague con agua después de la prueba y seque bien todo el material con el que ha hecho contacto.

No conecte los aparatos hasta que se complete la prueba de presión.

Inspeccione el sistema instalado para asegurarse de:

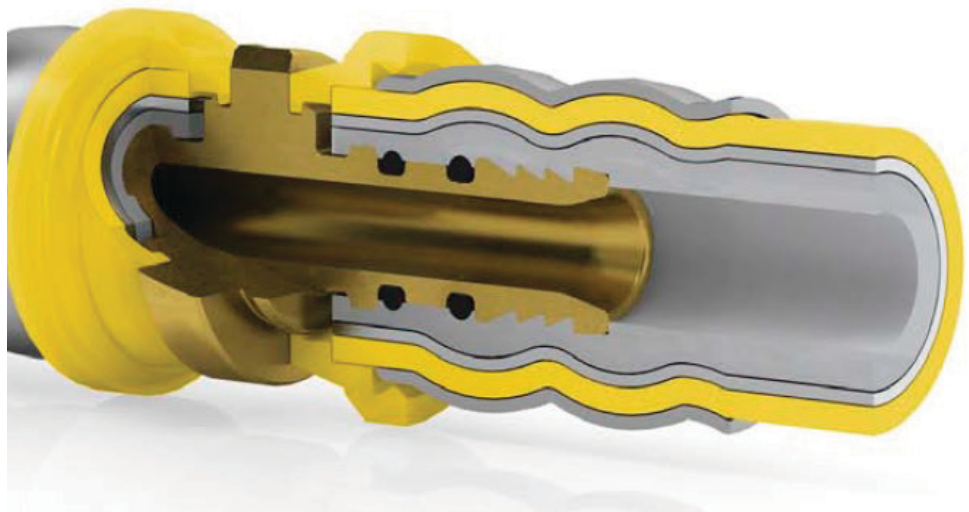
- Presencia de protectores de postes listados y otros dispositivos de protección en todos los lugares requeridos.
- Condición física aceptable de la tubería.
- Presencia de herrajes (debidamente prensados).
- Corregir la disposición del regulador y del colector con los requisitos de ventilación adecuados.
- Todas las salidas de gas para las conexiones de los aparatos deben taparse durante la prueba de presión.
- Las pruebas de presión deben realizarse durante la construcción preliminar de la instalación (antes de que se terminen las paredes interiores). Esto permitirá una inspección más completa del sistema de tuberías durante la prueba de presión.

El sistema de presión elevada requiere una prueba de presión de dos partes.

- La primera parte se realiza en la sección de presión elevada, entre la conexión del medidor y el regulador de presión.
- La segunda parte se realiza en la sección de baja presión, entre el regulador de presión y las salidas individuales de los aparatos de gas.

UNIÓN ELÉCTRICA

Los accesorios de ajuste del sistema PEXALGAS de Jones Stephens aíslan dieléctricamente el accesorio metálico de la capa interna de aluminio de la tubería. Por lo tanto, a diferencia de otras tuberías metálicas de gas, es poco probable que el sistema PEXALGAS se energice y no hay más requisitos de conexión que exijan las instrucciones de instalación del fabricante para el sistema PEXALGAS de Jones Stephens. Sin embargo, los instaladores siempre deben cumplir cualquier requisito local que pueda estar en conflicto con estas instrucciones.



TODOS LOS PROPIETARIOS deben consultar a un consultor de seguridad contra rayos para determinar si sería necesaria la instalación de un sistema de protección contra rayos para lograr una protección suficiente de todos los componentes del edificio contra los rayos. Los factores a considerar incluyen si el área es propensa a los rayos.

Los sistemas de protección contra rayos están más allá del alcance de este manual y las pautas de instalación, pero están cubiertos por la Asociación Nacional de Protección contra Incendios, NFPA 780, la Norma para la Instalación de Sistemas de Protección contra Rayos y otras normas.

Consulte los códigos de construcción locales en cuanto a las separaciones requeridas para las tuberías de dichos sistemas metálicos continuos, incluidos los revestimientos metálicos de las chimeneas, los respiraderos metálicos de los electrodomésticos, los conductos y tuberías metálicos y el cableado eléctrico aislado o revestido.

TABLAS DE MEDIDAS

LAS TABLAS DE DIMENSIONAMIENTO DE JONES STEPHENS REFLEJAN LA CAÍDA DE PRESIÓN REAL DE LA TUBERÍA Y LOS ACCESORIOS. EL DIMENSIONAMIENTO DEBE REALIZARSE DE ACUERDO CON NFPA 54 (CÓDIGO NACIONAL DE GAS COMBUSTIBLE), UTILIZANDO LAS TABLAS DE DIMENSIONAMIENTO DE TUBERÍA Y ACCESORIOS. ESTO PERMITE UN DIMENSIONAMIENTO MÁS PRECISO DEL SISTEMA PARA SU INSTALACIÓN.

Gas natural <13.79 kPa (basado en un gas de gravedad específica 0.6)

Condiciones de Trabajo		
Gas Natural	-	-
Presión de entrada	6" WC	-
Caída de presión	0.300	WC (in)

TAMAÑO *EQUIVALENTE DE LA TUBERÍA (in)	3/8"	1/2"	3/4"	1"
Tubo (mm)	16	20	26	32
Longitud (ft)	Flujo de Gas Natural (ft³/h)			
5	97	206	370	737
10	67	142	254	506
15	54	114	204	407
20	46	97	175	348
25	41	86	155	308
30	37	78	140	279
40	31	67	120	239
50	28	59	107	212
60	25	54	97	192
70	23	49	89	177
80	22	46	83	164
90	20	43	78	154
100	19	41	73	146
150	15	33	59	117
200	13	28	50	100
250	12	25	45	89
300	11	23	40	80
350	10	21	37	74
400	9	19	35	69
450	8	18	32	65
500	8	17	31	61

*Eq. = tamaño equivalente más cercano en EE. UU.

TABLAS DE MEDIDAS

Gas natural <13.79 kPa (basado en un gas de gravedad específica 0.6)

Condiciones de Trabajo		
Gas Natural	-	-
Presión de entrada	6-7" WC	-
Caída de presión	0.500	WC (in)

Diám Imperial	3/8"	1/2"	3/4"	1"
Tubo (mm)	16	20	26	32
TAMAÑO *EQUIVALENTE DE LA TUBERÍA (ft)	Flujo de Gas Natural (ft ³ /h)			
5	128	272	488	971
10	88	187	335	668
15	71	150	269	536
20	60	128	231	459
25	54	114	204	407
30	48	103	185	368
40	41	88	158	315
50	37	78	140	279
60	33	71	127	253
70	31	65	117	233
80	29	61	109	217
90	27	57	102	203
100	25	54	97	192
150	20	43	78	154
200	17	37	66	132
250	15	33	59	117
300	14	30	53	106
350	13	27	49	98
400	12	25	46	91
450	11	24	43	85
500	11	23	40	80

*Eq. = tamaño equivalente más cercano en EE. UU.

TABLAS DE MEDIDAS

Gas natural <13.79 kPa (basado en un gas de gravedad específica 0.6)

Condiciones de Trabajo		
Gas Natural	-	-
Presión de entrada	8" WC	-
Caída de presión	3.000	WC (in)

TAMAÑO *EQUIVALENTE DE LA TUBERÍA (in)	3/8"	1/2"	3/4"	1"
Tubo (mm)	16	20	26	32
Longitud (ft)	Flujo de Gas Natural (ft³/h)			
5	337	717	1287	2560
10	232	492	884	1760
15	186	395	710	1413
20	159	338	608	1209
25	141	300	539	1072
30	128	272	488	971
40	109	233	418	831
50	97	206	370	737
60	88	187	335	668
70	81	172	309	614
80	75	160	287	571
90	71	150	269	536
100	67	142	254	506
150	54	114	204	407
200	46	97	175	348
250	41	86	155	308
300	37	78	140	279
350	34	72	129	257
400	31	67	120	239
450	30	63	113	224
500	28	59	107	212

*Eq. = tamaño equivalente más cercano en EE. UU.

TABLAS DE MEDIDAS

Gas natural <13.79 kPa (basado en un gas de gravedad específica 0.6)

Condiciones de Trabajo		
Gas Natural	-	-
Presión de entrada	12-14" WC	-
Caída de presión	6.000	WC (in)

TAMAÑO *EQUIVALENTE DE LA TUBERÍA (in)	3/8"	1/2"	3/4"	1"
Tubo (mm)	16	20	26	32
Longitud (ft)	Flujo de Gas Natural (ft³/h)			
5	490	1043	1872	3725
10	337	717	1287	2560
15	271	575	1033	2056
20	232	492	884	1760
25	205	436	784	1560
30	186	395	710	1413
40	159	338	608	1209
50	141	300	539	1072
60	128	272	488	971
70	118	250	449	894
80	109	233	418	831
90	103	218	392	780
100	97	206	370	737
150	78	166	297	592
200	67	142	254	506
250	59	126	226	449
300	54	114	204	407
350	49	105	188	374
400	46	97	175	348
450	43	91	164	327
500	41	86	155	308

*Eq. = tamaño equivalente más cercano en EE. UU.

TABLAS DE MEDIDAS

Gas natural 13.79 kPa - 6.89 kPa (basado en un gas de gravedad específica 0.6)

Condiciones de Trabajo		
Gas Natural	-	-
Presión de entrada	2.000	(psi)
Caída de presión	1.000	(psi)

TAMAÑO *EQUIVALENTE DE LA TUBERÍA (in)	3/8"	1/2"	3/4"	1"
Tubo (mm)	16	20	26	32
Longitud (ft)	Flujo de Gas Natural (ft³/h)			
5	1180	2510	4506	8968
10	811	1725	3097	6164
15	651	1385	2487	4950
20	557	1186	2129	4236
25	494	1051	1887	3754
30	448	952	1709	3402
40	383	815	1463	2912
50	340	722	1297	2580
60	308	654	1175	2338
70	283	602	1081	2151
80	263	560	1006	2001
90	247	525	943	1878
100	233	496	891	1774
150	187	399	716	1424
200	160	341	612	1219
250	142	302	543	1080
300	129	274	492	979
350	118	252	453	901
400	110	234	421	838
450	103	220	395	786
500	98	208	373	742

*Eq. = tamaño equivalente más cercano en EE. UU.

TABLAS DE MEDIDAS

Gas natural 34.47 kPa - 24.13 kPa (basado en un gas de gravedad específica 0.6)

Condiciones de Trabajo		
Gas Natural	-	-
Presión de entrada	5.000	(psi)
Caída de presión	3.500	(psi)

TAMAÑO *EQUIVALENTE DE LA TUBERÍA (in)	3/8"	1/2"	3/4"	1"
Tubo (mm)	16	20	26	32
Longitud (ft)	Flujo de Gas Natural (ft³/h)			
5	2457	5225	9381	18670
10	1688	3591	6448	12832
15	1356	2884	5178	10304
20	1160	2468	4431	8819
25	1029	2187	3928	7816
30	932	1982	3559	7082
40	798	1696	3046	6061
50	707	1503	2699	5372
60	640	1362	2446	4867
70	589	1253	2250	4478
80	548	1166	2093	4166
90	514	1094	1964	3909
100	486	1033	1855	3692
150	390	830	1490	2965
200	334	710	1275	2538
250	296	629	1130	2249
300	268	570	1024	2038
350	247	525	942	1875
400	229	488	876	1744
450	215	458	822	1636
500	203	433	777	1546

*Eq. = tamaño equivalente más cercano en EE. UU.

TABLAS DE MEDIDAS

Gas LP (propano) <13.79 kPa (basado en un gas LP de gravedad específica 1.52)

Condiciones de Trabajo		
Propano	-	-
Presión de entrada	11	WC (in)
Caída de presión	0.500	WC (in)

TAMAÑO *EQUIVALENTE DE LA TUBERÍA (in)	3/8"	1/2"	3/4"	1"
Tubo (mm)	16	20	26	32
Longitud (ft)	Flujo de Propanol (ft³/h)			
5	208	443	795	1583
10	143	304	547	1088
15	115	244	439	874
20	98	209	376	748
25	87	185	333	663
30	79	168	302	600
40	68	144	258	514
50	60	127	229	455
60	54	115	207	413
70	50	106	191	380
80	46	99	177	353
90	44	93	167	331
100	41	88	157	313
150	33	70	126	251
200	28	60	108	215
250	25	53	96	191
300	23	48	87	173
350	21	44	80	159
400	19	41	74	148
450	18	39	70	139
500	17	37	66	131

*Eq. = tamaño equivalente más cercano en EE. UU.

TABLAS DE MEDIDAS

Gas LP (propano) 13.79 kPa - 6.89 kPa (basado en un gas LP de gravedad específica 1.52)

Condiciones de Trabajo		
Propano	-	-
Presión de entrada	2.000	(psi)
Caída de presión	1.000	(psi)

TAMAÑO *EQUIVALENTE DE LA TUBERÍA (in)	3/8"	1/2"	3/4"	1"
Tubo (mm)	16	20	26	32
Longitud (ft)	Flujo de Propano (ft ³ /h)			
5	1915	4072	7312	14551
10	1316	2799	5025	10001
15	1057	2247	4035	8031
20	904	1924	3454	6873
25	802	1705	3061	6092
30	726	1545	2774	5520
40	622	1322	2374	4724
50	551	1172	2104	4187
60	499	1062	1906	3794
70	459	977	1754	3490
80	427	909	1631	3247
90	401	853	1531	3046
100	379	805	1446	2878
150	304	647	1161	2311
200	260	553	994	1978
250	231	491	881	1753
300	209	444	798	1588
350	192	409	734	1461
400	179	380	683	1359
450	168	357	641	1275
500	159	337	605	1205

*Eq. = tamaño equivalente más cercano en EE. UU.

TABLAS DE MEDIDAS

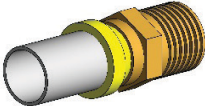
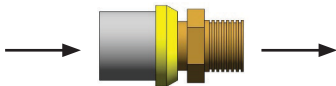
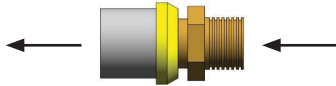
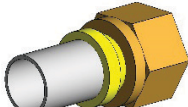
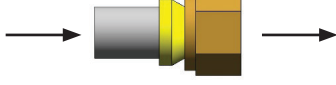
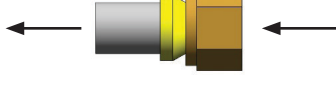
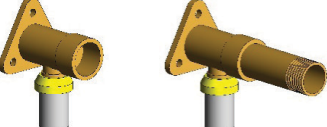
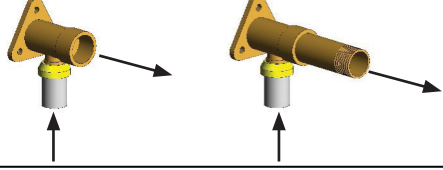
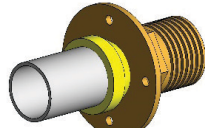
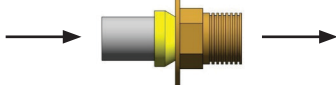
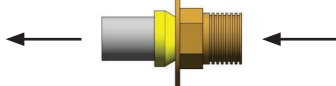
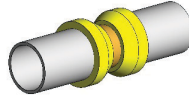
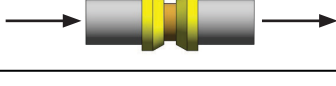
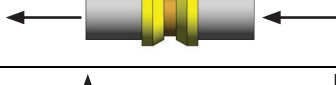
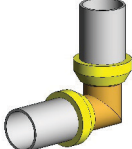
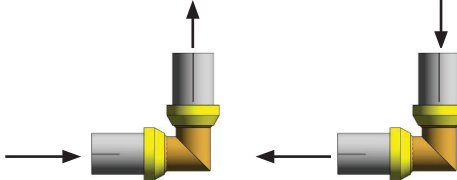
Gas LP (propano) 34.47 kPa - 24.13 kPa (basado en un gas LP de gravedad específica 1.52)

Condiciones de Trabajo		
Propano	-	-
Presión de entrada	5.000	(psi)
Caída de presión	3.500	(psi)

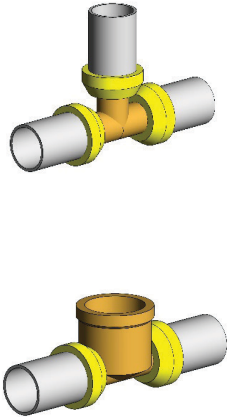
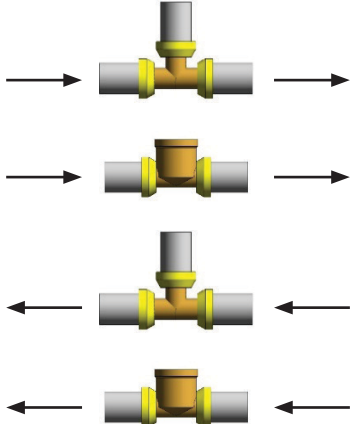
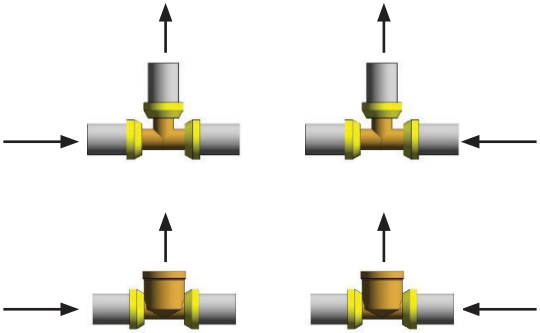
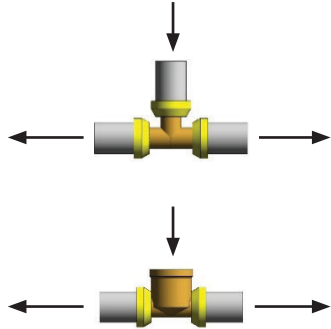
TAMAÑO *EQUIVALENTE DE LA TUBERÍA (in)	3/8"	1/2"	3/4"	1"
Tubo (mm)	16	20	26	32
Longitud (ft)	Flujo de Propano (ft ³ /h)			
5	3986	8477	15221	30292
10	2740	5826	10462	20820
15	2200	4679	8401	16719
20	1883	4004	7190	14309
25	1669	3549	6373	12682
30	1512	3216	5774	11491
40	1294	2752	4942	9835
50	1147	2439	4380	8716
60	1039	2210	3968	7898
70	956	2033	3651	7266
80	889	1892	3396	6759
90	835	1775	3187	6342
100	788	1677	3010	5991
150	633	1346	2417	4811
200	542	1152	2069	4117
250	480	1021	1834	3649
300	435	925	1661	3306
350	400	851	1528	3042
400	372	792	1422	2830
450	349	743	1334	2655
500	330	702	1260	2508

*Eq. = tamaño equivalente más cercano en EE. UU.

TABLAS DE MEDIDAS

PÉRDIDAS DE PRESIÓN DE RACORES EN LONGITUD DE TUBO EQUIVALENTE (ples)		
RACORES	DIRECCIÓN DEL ÍNDICE DE FLUJO	VALOR
Acoplador Macho NPT 		3.28
		
Acoplador Hembra NPT 		3.28
		
Codos con Ala Trasera 		3.28
Montaje Suelo/Pared 		3.28
		
Acopladores 		1.03
		
Codos de Presion y NPT 		2.26

TABLAS DE MEDIDAS

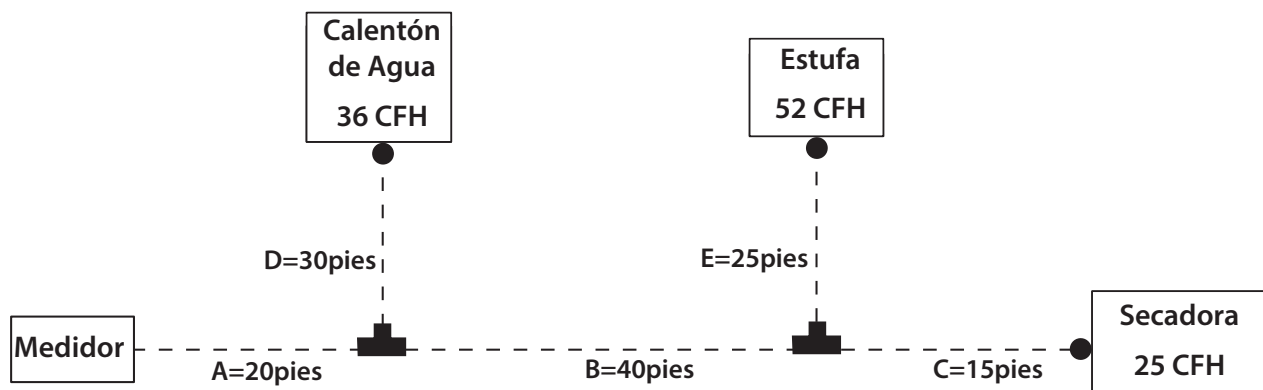
PÉRDIDAS DE PRESIÓN DE RACORES EN LONGITUD DE TUBO EQUIVALENTE (ples)		
RACORES	DIRECCIÓN DEL ÍNDICE DE FLUJO	VALOR
<p>Tes y Tes Hembras NPT</p> 		1.64
		4.51
		4.92

EJEMPLO NO. 1

Se trata de una instalación típica de una vivienda unifamiliar con cinco (5) aparatos, en la que el diseño del sistema de tuberías del suministro de gas está distribuido en serie con un tramo principal que se ramifica en los aparatos. La presión de suministro de la empresa de servicios públicos (a partir del contador) es de 8" WC, y la compañía de servicios informa de que la gravedad específica del gas suministrado será de 0.60 y el contenido energético es de 1 CFH = 1.000 BTUH. Se ha determinado que la caída de presión admisible en el sistema. La caída de presión permitida en el sistema se ha determinado en 3.0" WC.

Lista de aparatos:

- Bomba de Calor (70,000 BTUH → 70 CFH)
- Calentón de Agua (35,000 BTUH → 35 CFH)
- Estufa (50,000 BTUH → 50 CFH)
- Secadora (26,000 BTUH → 26 CFH)
- Chimenea (24,000 BTUH → 24 CFH)



Tramos:

SECCIÓN DE LOS TRAMOS	CARGA ENTREGADA POR SECCIÓN	LONGITUD DE LA SECCIÓN	ELECTRODOMÉSTICO CON MAYOR RECORRIDO
A	205 CFH	30 pies	Secadora: - longitud del recorrido = 65 pies - racores de funcionamiento: 3 tes rectas, 1 te de 90° y 1 codo de terminación con ala trasera
B	135 CFH	5 pies	Secadora: - longitud del recorrido = 65 pies - racores de funcionamiento: 3 tes rectas, 1 te de 90° y 1 codo de terminación con ala trasera
C	100 CFH	15 pies	Secadora: - longitud del recorrido = 65 pies - racores de funcionamiento: 3 tes rectas, 1 te de 90° y 1 codo de terminación con ala trasera
D	50 CFH	10 pies	Secadora: - longitud del recorrido = 65 pies - racores de funcionamiento: 3 tes rectas, 1 te de 90° y 1 codo de terminación con ala trasera

Secciones de los Aparatos

SECCIÓN DE LOS APARATOS	CARGA DEL APARATO	LONGITUD TOTAL DE LA SECCIÓN	RACORES DE LA SECCIÓN
E	24 CFH	65 pies	4 tes rectas y 1 codo de terminación con ala trasera
F	70 CFH	40 pies	1 te de 90° y 1 codo de terminación con ala trasera
G	35 CFH	50 pies	1 te recta, 1 te de 90° y 1 codo de terminación con ala trasera
H	50 CFH	60 pies	2 tes rectas, 1 te de 90° y 1 codo de terminación con ala trasera
J	24 CFH	65 pies	3 tes rectas, 1 te de 90° y 1 codo de terminación con ala trasera

Longitud de recorrido de los tramos troncales = Distancia desde el medidor hasta el electrodoméstico con mayor recorrido en función de la disposición de la red y de la longitud total de los tramos (significa no sólo el más lejano, sino aquel cuyo tramo tiene el mayor valor de pérdidas de carga).

Longitud total de las secciones de los aparatos = Distancia desde el medidor a cada aparato.

Medida del Recorrido A: Utilizar la tabla de medidas para el gas natural en 8" WC + 3" WC caída de presión + la tabla de las pérdidas de carga de los racores.

- Carga Total = 205 CFH
- Electrodoméstico con mayor recorrido: Secadora
 - recorrido = 65 pies
 - racores adicionales para esto: 3 tes rectas + 1 te de 90° + 1 codo de terminación con ala trasera

➔ recorrido total = $65 + 3 \times 1.64 + 4.51 + 3.28 = 77.71$ ➔ redondeando a 80

De acuerdo con la tabla, Tamaño de la Tubería = 26mm (hasta 287 CFH)

Medida del Recorrido B: Utilizar la tabla de medidas para el gas natural en 8" WC + 3" WC caída de presión + la tabla de las pérdidas de carga de los racores.

- Carga Total = 135 CFH
- Electrodoméstico con mayor recorrido: Secadora
 - recorrido = 65 pies
 - racores adicionales para esto: 3 tes rectas + 1 te de 90° + 1 codo de terminación con ala trasera

➔ recorrido total = $65 + 3 \times 1.64 + 4.51 + 3.28 = 77.71$ ➔ redondeando a 80

De acuerdo con la tabla, Tamaño de la Tubería = 20mm (hasta 160 CFH)

Medida del Recorrido C: Utilizar la tabla de medidas para el gas natural en 8" WC + 3" WC caída de presión + la tabla de las pérdidas de carga de los racores.

- Carga Total = 100 CFH
- Electrodoméstico con mayor recorrido: Secadora
 - recorrido = 65 pies
 - racores adicionales para el recorrido: 3 tes rectas + 1 te de 90° + 1 codo de terminación con ala trasera

➔ recorrido total = $65 + 3 \times 1.64 + 4.51 + 3.28 = 77.71$ ➔ redondeado a 80

De acuerdo con la tabla, Medida de la Tubería = 20mm (hasta 160 CFH)

Medida del Recorrido D: Utilizar la tabla de medidas para el gas natural en 8" WC + 3" WC caída de presión + la tabla de las pérdidas de carga de los racores.

- Carga Total = 50 CFH
- Electrodoméstico con mayor recorrido: Secadora
 - recorrido = 65 pies
 - racores adicionales el recorrido: 3 tes rectas + 1 te de 90° + 1 codo de terminación con ala trasera

➔ total run = $65 + 3 \times 1.64 + 4.51 + 3.28 = 77.71$ ➔ redondeado a 80

De acuerdo con la tabla, Medida de la Tubería = 16mm (hasta 75 CFH)

Medida del Recorrido E: Utilizar la tabla de medidas para el gas natural en 8" WC + 3" WC caída de presión + la tabla de las pérdidas de carga de los racores.

- Carga Total = 24 CFH
- recorrido al aparato relativo = 65 pies
- racores adicionales para el recorrido: 4 tes rectas + 1 codo de terminación con ala trasera

➔ recorrido total = $65 + 4 \times 1.64 + 3.28 = 74.84$ ➔ redondeado a 80

De acuerdo con la tabla, Medida de la Tubería = 16mm (hasta 75 CFH)

Medida del Recorrido F: Utilizar la tabla de medidas para el gas natural en 8" WC + 3" WC caída de presión + la tabla de las pérdidas de carga de los racores.

- Carga Total = 70 CFH
- recorrido al aparato relativo = 40 pies
- racores adicionales para el recorrido: 1 te de 90° + 1 codo de terminación con ala trasera

➔ total run = $40 + 4.51 + 3.28 = 47.89$ ➔ redondeado a 50

De acuerdo con la tabla, Medida de la Tubería = 16mm (hasta 97 CFH)

Medida del Recorrido G: Utilizar la tabla de medidas para el gas natural en 8" WC + 3" WC caída de presión + la tabla de las pérdidas de carga de los racores.

- Carga Total = 35 CFH
- recorrido al aparato relativo = 50 pies
- racores adicionales para el recorrido: 1 te recta + 1 te de 90° + 1 codo de terminación con ala trasera

➔ recorrido total = $50 + 1.64 + 4.51 + 3.28 = 59.43$ ➔ redondeado a 60

De acuerdo con la tabla, Medida de la Tubería = 16mm (hasta 88 CFH)

Medida del Recorrido H: Utilizar la tabla de medidas para el gas natural en 8" WC + 3" WC caída de presión + la tabla de las pérdidas de carga de los racores.

- Carga Total = 50 CFH
- recorrido al aparato relativo = 60 pies
- racores adicionales para el recorrido: 2 tes rectas + 1 te de 90° + 1 codo de terminación con ala trasera

➔ recorrido total = $60 + 2 \times 1.64 + 4.51 + 3.28 = 71.07$ ➔ redondeado a 80

De acuerdo con la tabla, Medida de la Tubería = 16mm (hasta 75 CFH)

Medida del Recorrido J: Utilizar la tabla de medidas para el gas natural en 8" WC + 3" WC caída de presión + la tabla de las pérdidas de carga de los racores.

- Carga Total = 26 CFH
- recorrido al aparato relativo = 65 pies
- racores adicionales para el recorrido: 3 tes rectas + 1 te de 90° + 1 codo de terminación con ala trasera

➔ recorrido total = $65 + 3 \times 1.64 + 4.51 + 3.28 = 77.71$ ➔ redondeado a 80

De acuerdo con la tabla, Medida de la Tubería = 16mm (hasta 75 CFH)

Medidas del sistema del suministro de gas:

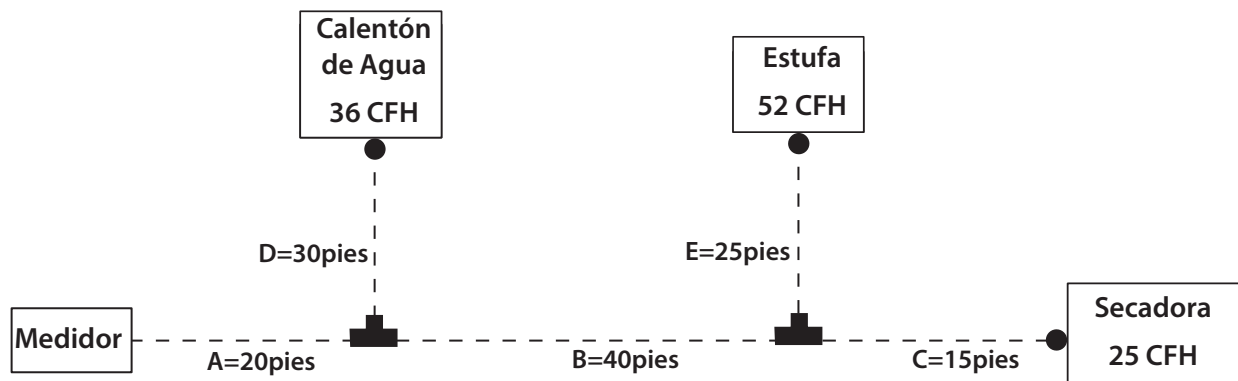
SECTION	MEDIDA DE LA TUBERÍA (mm)	MEDIDA DE LA TUBERÍA (in)
A	26	3/4
B	20	1/2
C	20	1/2
D	16	3/8
E	16	3/8
F	16	3/8
G	16	3/8
H	16	3/8
J	16	3/8

EJEMPLO NO. 2

Se trata de una instalación típica de una pequeña casa unifamiliar con tres (3) aparatos, en la que el diseño del sistema de tuberías de suministro de gas está dispuesto en serie con un tramo principal que se ramifica en los aparatos. La presión de suministro de la empresa de servicios públicos (después del medidor) es de 6" WC, y la compañía de servicios informa de que la gravedad específica del gas suministrado será de 0,60 y el contenido energético es de 1 CFH = 1.000 BTUH. Se ha determinado que la caída de presión admisible en el sistema es de 0.3" WC.

Lista de Aparatos:

- Calentón de Agua (36,000 BTUH → 36 CFH)
- Estufa (52,000 BTUH → 52 CFH)
- Secadora (25,000 BTUH → 25 CFH)



Tramos:

SECCIÓN DE LOS TRAMOS	CARGA ENTREGADA POR SECCIÓN	LOGITUD DE LA SECCIÓN	ELECTRODOMÉSTICO CON MAYOR RECORRIDO
A	113 CFH	20 pies	Estufa: - dimensión del recorrido = 85 pies - racores del recorrido: 1 te recta, 1 te de 90° y 1 codo de terminación con ala trasera
B	77 CFH	40 pies	Estufa: - dimensión del recorrido = 85 pies - racores del recorrido: 1 te recta, 1 te de 90° y 1 codo de terminación con ala trasera

Secciones de los Aparatos

SECCIÓN DE LOS APARATOS	CARGA DEL APARATO	LONGITUD TOTAL DE LA SECCIÓN	RACORES DE LA SECCIÓN
C	25 CFH	75 pies	2 tes y 1 codo de terminación con ala trasera
D	36 CFH	50 pies	1 te y 1 codo de terminación con ala trasera
E	52 CFH	85 pies	2 tes y 1 codo de terminación con ala trasera

Longitud de Recorrido de las Secciones de los Tramos = Distancia desde el medidor hasta el electrodoméstico con mayor recorrido en función de la disposición de la red y de la longitud total de los tramos (significa no sólo el más lejano, sino aquel cuyo tramo tiene el mayor valor de pérdidas de carga).

Longitud Total de las Secciones de los Aparatos = Distancia desde el medidor a cada aparato

Medida del Recorrido A: Utilizar la tabla de medidas para el gas natural en 6" WC + 0.3" WC caída de presión + la tabla de las pérdidas de carga de los racores.

- Carga Total = 113 CFH
- Electrodoméstico con mayor recorrido: Estufa
 - recorrido = 85 pies
 - racores adicionales para el recorrido: 1 te recta + 1 te de 90° + 1 codo de terminación con ala trasera

➔ recorrido total = $85 + 1.64 + 4.51 + 3.28 = 94.43$ ➔ redondeado a 100

De acuerdo con la tabla, Tamaño de la Tubería = 32mm (hasta 146 CFH)

Medida del Recorrido B: Utilizar la tabla de medidas para el gas natural en 6" WC + 0.3" WC caída de presión + la tabla de las pérdidas de carga de los racores.

- Carga Total = 77 CFH
- Electrodoméstico con mayor recorrido: Estufa
 - recorrido = 85 pies
 - racores adicionales para el recorrido: 1 te recta + 1 te de 90° + 1 codo de terminación con ala trasera

➔ recorrido total = $85 + 1.64 + 4.51 + 3.28 = 94.43$ ➔ redondeado a 100

De acuerdo con la tabla, Tamaño de la Tubería = 32mm (hasta 146 CFH)

Medida del Recorrido C: Utilizar la tabla de medidas para el gas natural en 6" WC + 0.3" WC caída de presión + la tabla de las pérdidas de carga de los racores.

- Carga Total = 25 CFH
- recorrido al aparato relativo = 75 pies
- racores adicionales para el recorrido: 2 tes rectas + 1 codo de terminación con ala trasera

➔ recorrido total = $75 + 2 \times 1.64 + 3.28 = 81.56$ ➔ redondeado a 90

De acuerdo con la tabla, Tamaño de la Tubería = 20mm (hasta 43 CFH)

Medida del Recorrido D: Utilizar la tabla de medidas para el gas natural en 6" WC + 0.3" WC caída de presión + la tabla de las pérdidas de carga de los racores.

- Carga Total = 36 CFH
- recorrido al aparato relativo = 50 pies
- racores adicionales para el recorrido: 1 te de 90° + 1 codo de terminación con ala trasera

➔ recorrido total = 50 + 4.51 + 3.28 = 57.79 ➔ redondeado a 60
De acuerdo con la tabla, Tamaño de la Tubería = 20mm (hasta 54 CFH)

Medida del Recorrido E: Utilizar la tabla de medidas para el gas natural en 6" WC + 0.3" WC caída de presión + la tabla de las pérdidas de carga de los racores.

- Carga Total = 52 CFH
- recorrido al aparato relativo = 85 pies
- racores adicionales para el recorrido: 1 te recta + 1 te de 90° + 1 codo de terminación con ala trasera

➔ recorrido total = 85 + 1.64 + 4.51 + 3.28 = 94.43 ➔ redondeado a 100
De acuerdo con la tabla de medidas para gas natural a 0.5" WC, Tamaño de la Tubería = 26mm (hasta 73 CFH)

Medidas del sistema de suministro de gas:

SECTION	MEDIDA DE LA TUBERÍA (mm)	MEDIDA DE LA TUBERÍA (in)
A	32	1
B	32	1
C	20	1/2
D	20	1/2
E	26	3/4