



# SHELF BRACKET INSTALLATION

## BEFORE INSTALLING

We recommend consulting a professional if you are unfamiliar with installing this type of hardware. Signature Hardware accepts no liability for any damage to the bracket, shelf, wall, or personal injury during installation. Observe all local building codes.

## INSTRUCTIONS

Unpack and inspect the product for shipping damage. If any damage is found, contact Customer Relations at 1.866.855.2284.

## TOOLS AND MATERIALS:



Pencil



Drill



Level



Screwdriver



Stud Finder

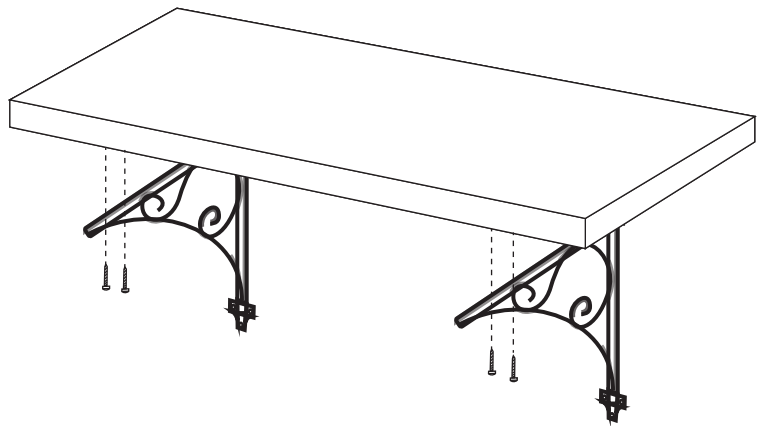
## GETTING STARTED

Ensure that you have gathered all the required materials that are needed for installation.

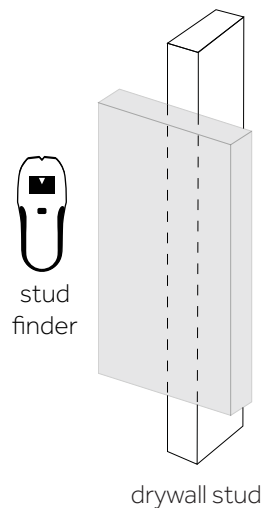
## INSTALLATION

1. Attach your shelf bracket(s) to the bottom of the shelf that you are mounting using the provided screws. Ensure that each bracket is properly aligned before attaching.

**Important:** Not all shelf materials can be drilled into. If your shelf is made of a fragile material, use a proper adhesive.



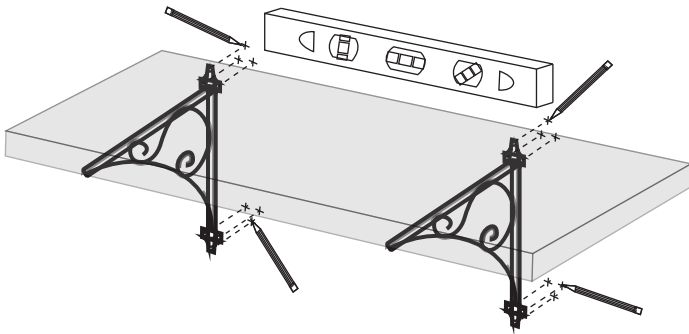
2. Locate where you wish to hang your shelf. Use a stud finder to locate a stud behind your wall.



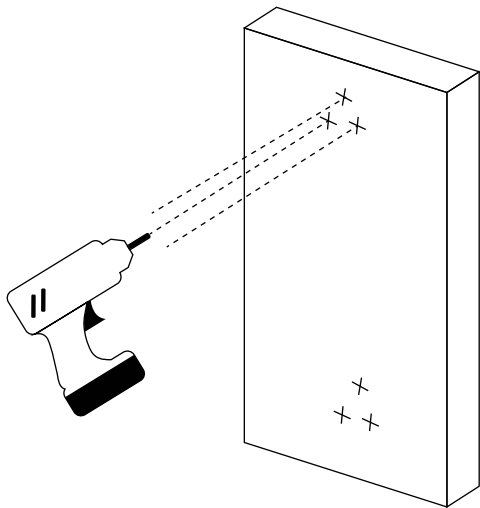


## SHELF BRACKET INSTALLATION

3. While holding the shelf against the wall, adjust it until it is level. Once the shelf is properly aligned, use a pencil to mark the location of each mounting hole on the wall. Have someone assist you if needed.



4. Drill small pilot holes in the marked locations from step 3.



5. Attach the bracket(s) to the wall using the provided mounting screws. Be careful not to overtighten, which could strip or break the screw.

